



Router	PlungBar	Notes
AEG OFS 710	Type B (No. 717623)	Replace handles
Atlas Copco OFSE 1000	Type B (No. 717623)	Replace handles
Atlas Copco OFSE 2000 E	Typ C/F (No. 717624)	
Axminster AW 635 R	Type B (No. 717623)	
Axminster White 127	Type D (No. 717625)	
Black & Decker KW 800 EK / 780E	Not supported	
Black & Decker KW 850 EK	Type B (No. 717623)	
Black & Decker RP200	Not supported	
Bosch 1100 AE	Not supported	
Bosch 1300 ACE	Type D (No. 717625)	
Bosch 1611 EVS	Type D (No. 717625)	
Bosch 1613	Type D (No. 717625)	
Bosch 1614 EVS	Type D (No. 717625)	
Bosch 1615	Typ C/F (No. 717624)	
Bosch 1617 EVS	Typ C/F (No. 717624)	
Bosch 1617 EVS Plunge Base	Typ C/F (No. 717624)	
Bosch 1619 EVS	Typ C/F (No. 717624)	
Bosch 1700 ACE	Typ C/F (No. 717624)	
Bosch 2000	Typ C/F (No. 717624)	
Bosch 600 ACE	Not supported	
Bosch 800	Type D (No. 717625)	
Bosch 900 ACE	Type D (No. 717625)	
Bosch GOF 900	Type D (No. 717625)	
Bosch GOF 1250 (L)CE	Not supported	
Bosch GOF 1300 ACE	Type D (No. 717625)	
Bosch GOF 1600 ACE	Typ C/F (No. 717624)	
Bosch POF 400 A	Type B (No. 717623)	
Bosch POF 500	Not supported	
Bosch POF 800	Type D (No. 717625)	
Bosch POF 1100, 1300, 1400	Not supported	
Challenge Xtreme M5757	Type D (No. 717625)	
Charnwood P220	Type D (No. 717625)	
CMT 1850 W	Type A	
CMT AW 127 R	Type D (No. 717625)	
Craftsman 26835	Not supported	
Craftsman 27506	Not supported	
Craftsman 27510	Not supported	
Craftsman 27511	Not supported	
DeWalt 618	Type D (No. 717625)	
DeWalt 613	Type B (No. 717623)	
Dewalt 6156	Type B (No. 717623)	
DeWalt 616	Typ C/F (No. 717624)	
DeWalt 620	Type D (No. 717625)	
DeWalt 620 L	Type D (No. 717625)	
DeWalt 621 EK	Type D (No. 717625)	
DeWalt 621 KL	Type D (No. 717625)	
DeWalt 624	Type A (No. 717622)	
DeWalt 625	Type A	
DeWalt 626	Typ C/F (No. 717624)	
DeWalt 629	Type A	
Draper 67985	Type B (No. 717623)	
Draper 850 V	Type B (No. 717623)	
Draper R 1900 V	Typ C/F (No. 717624)	
Einhell EOF 850 SP	Type B (No. 717623)	
ELU 3338	Type A	
ELU 96 E	Type B (No. 717623)	
ELU 97 E	Type D (No. 717625)	
ELU MOF 177	Type A	Replace handles



Router	PlungBar	Notes
Erbauer 1/2" 1850 Watt	Type D (No. 717625)	
FEIN PT 1800	Typ C/F (No. 717624)	
Felisatti	Typ C/F (No. 717624)	
Ferm 1050 Watt	Type B (No. 717623)	
Ferm FPF-8E	Type B (No. 717623)	
Festool 1400	Not supported	
Festool 2200	Not supported	
Festo 2000 E	Typ C/F (No. 717624)	
Flex OF2926 BE	Type E	
Freud OF 1000 EB	Not supported	
Freud FT 2000 E	Typ C/F (No. 717624)	Switch needs to be sawn off
Freud OF 1000 EB	Not supported	
Hitachi KM12VC	Not supported	
Hitachi M 12 SA	Typ C/F (No. 717624)	
Hitachi M 12 V	Typ C/F (No. 717624)	
Hitachi M 8 V	Type B (No. 717623)	
Hitachi ZK 2008	Not supported	
Holzher 2355	Type B (No. 717623)	Replace handles
Holzher 2356	Type B (No. 717623)	Replace handles
Holzher 2365	Typ C/F (No. 717624)	
JCB D PR 12	Typ C/F (No. 717624)	
JCB Power Master	Type D (No. 717625)	
Mafell LO 65 E	Typ C/F (No. 717624)	
Makita 3620	Type B (No. 717623)	
Makita RF 1101 Kit	Not supported	
Makita RP 0910	Type B (No. 717623)	
Makita RP 1101	Not supported	
Makita RP 1110 C	Type B (No. 717623)	
Metabo 1812	Typ C/F (No. 717624)	
Metabo OF 1028	Type B (No. 717623)	Replace handles
Metabo OF 1229	Type B (No. 717623)	
Metabo OF 1612	Typ C/F (No. 717624)	
Metabo OFE 1229 Signal	Type D (No. 717625)	Switch needs to be sawn off
Milwaukee OFSE 1000	Not supported	
Atlas Copco OFSE 1000	Type B (No. 717623)	Replace handles
Lamello 1800	Typ C/F (No. 717624)	
NuTool 900 Watt	Type B (No. 717623)	
NuTool XP 12 1650 Watt	Type D (No. 717625)	
Performance Power Pro 1020	Type B (No. 717623)	
Performance Power Pro 1250	Type D (No. 717625)	
Performance Power Pro 2050	Type D (No. 717625)	
Perles 808	Type B (No. 717623)	
Perles 808 E	Type B (No. 717623)	
Porter Cable 693	Not supported	
Porter Cable 7539	Not supported	
Porter Cable 890	Not supported	
Porter Cable 7529 / 8529	Type E	
Porter Cable other than above	Not supported	No holes in base
Power Devil 1800 Watt 1/2"	Type D (No. 717625)	
Power Devil PDW 5027	Type B (No. 717623)	
Power Devil PDW 5037 PR	Type B (No. 717623)	
Pro 1250 Watt (B&Q)	Type D (No. 717625)	
Ryobi 2100	Not supported	
Ryobi ERT 1150	Not supported	
Ryobi ERT 1500	Typ C/F (No. 717624)	
Ryobi ERT 241200	Typ C/F (No. 717624)	
Ryobi R 151	Type B (No. 717623)	
Ryobi R 501	Typ C/F (No. 717624)	



Router	PlungBar	Notes
Ryobi R 502	Typ C/F (No. 717624)	
Ryobi RE 600	Typ C/F (No. 717624)	
Ryobi RE 120	Typ C/F (No. 717624)	
Ryobi RE 120	Type B (No. 717623)	
Ryobi RE 155	Type B (No. 717623)	
Ryobi RE 601	Typ C/F (No. 717624)	
Ryobi RE 601 E	Typ C/F (No. 717624)	
Ryobi TR 50	Not supported	
Silverline 1/4"	Type B (No. 717623)	
Silverline 1/2"	Type D (No. 717625)	
Trend T 3	Not supported	
Trend T 5	Type B (No. 717623)	
Trend T 9	Typ C/F (No. 717624)	
Trend T10 / T11	Type A	
Triton	Not supported	
Vitutex FR 77 C	Type B (No. 717623)	
Vitutex FR 78 C	Type B (No. 717623)	
Wickes 1650	Type D (No. 717625)	

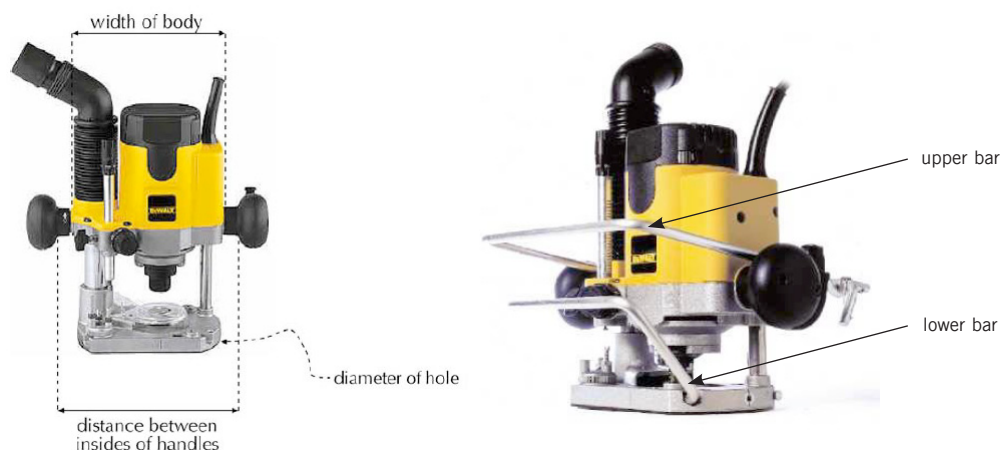
### Helping you choose the right PlungeBar

The PlungeBar is a very useful device for smoothly depthing a router with one hand instead of two. We produce six different types of PlungeBars, to fit different types of routers. Because there are so many different routers (some we don't even know of), and because new routers are developed regularly, your router might not be listed on our website. This doesn't mean you can't get a PlungeBar to fit it; it just means that we haven't heard of your router or haven't yet tested which PlungeBar works with it.

To find out whether or not there is a PlungeBar that fits your router, you need to know three things:

- 1- the width of the body of your router,
- 2- the distance between the insides of the handles,
- 3- the diameter of the holes that normally hold the guide-fence.

The picture below illustrates which measurements you need.



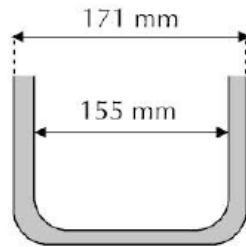
The upper bar will rest on top of the handles, and therefore needs to fit between the insides of those handles and the body of the router. The two lower bars are inserted into the holes for the guidefences, in the base of the router. If the diameter of those holes is too small, the PlungeBar won't fit. It's usually no problem if the holes are too big, because the bars can be held in place by a bolt.

The illustration below shows the dimensions of the upper bars for different PlungeBars. It also shows the diameters of the lower bars for each PlungeBar. These dimensions should give you an idea of which PlungeBar is suitable for your router. Please note that we haven't included dimensions for PlungeBar A and E, because these only fit particular makes of routers.



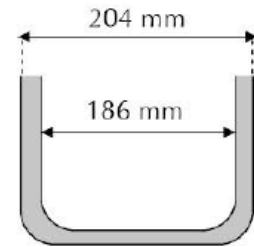
### PlungeBar B

Diameter = 8 mm



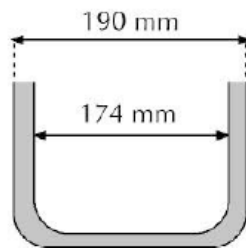
### PlungeBar C

Diameter = 9 mm



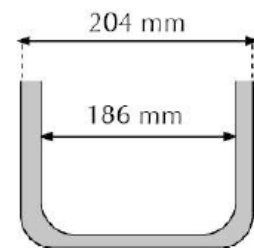
### PlungeBar D

Diameter = 8 mm



### PlungeBar F

Diameter = 9 mm



Our smallest PlungeBar is Type B (No. 717623). This is suitable for most 1/4" plunge-routers. The next one up in size is Type D (No. 717625). This PlungeBar fits most 8mm routers. The biggest available PlungeBars are types C and F. They are identical in size and fit most 1/2" routers. As a general rule, a PlungeBar will fit if the dimensions of the upper bar are compatible with the dimensions of your router, and if the holes in the base are big enough to take the lower bars.

#### However, there are some exceptions.

- If your router has a switch in the handle, the upper bar of the PlungeBar might rest on this and operate it each time you use the PlungeBar. This is not only inconvenient, but also unsafe. The Ryobi ERT1150V is an example of this.
- The holes in the base of your router should be positioned east to west when you're looking at the front of the machine. Some routers, like the Milwaukee OFSE1000, have the holes positioned north to south. A PlungeBar won't work with such a machine. Also, some routers have no holes in their base at all. It's not possible to fit a PlungeBar to these routers. Most Porter Cable routers fall into this category.
- Festool manufactures routers with one normal handle and a special piston-grip handle, which is located at the top of the router. This type of design is incompatible with the PlungeBar.