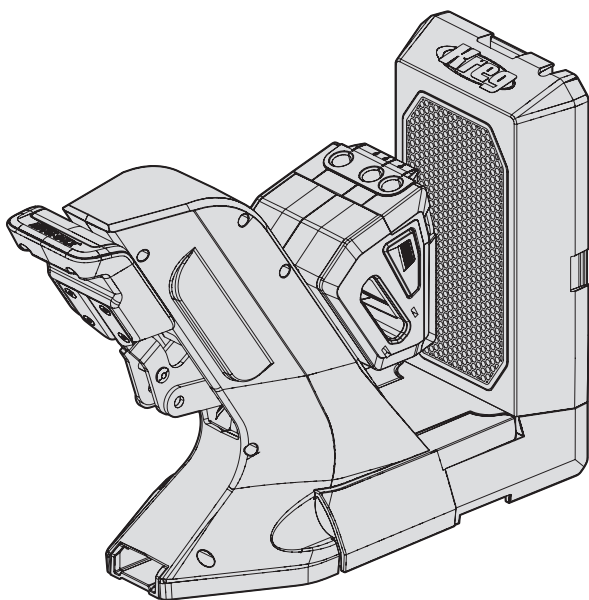


OWNER'S MANUAL



Kreg Pocket-Hole Jig 700-Series

Manual applies to all 700-Series Pocket-Hole Jigs



WARNING Every user must read and follow instructions and safety precautions in this manual. Failure to do so could result in serious injury. Save manual for future reference.

We're here to help.

We want you to have an exceptional project building experience.

If you have questions or need support, please get in touch.

1-800-447-8638 | technicalsupport@kregtool.com

Tell us about your experience.

Your opinion counts. And we're always looking for ways to improve.

Share your feedback so we can keep growing and innovating for you.

www.kregtool.com/feedback

English	2
French (N. America)	23
Spanish (N. America)	45
French	67
Spanish	89
German	111

Table of Contents

Safety Precautions	2	Using Your Kreg Jig	18
Pre-Assembly	3	Removing the Jig from the Docking Station	19
Product Description	3	Removing a Kreg 700-Series Jig from a Mounted Docking Station	19
Onboard Tool Storage	4	Removing a Kreg 700-Series Jig from an Unmounted Docking Station	20
Adjustable Clamp Pressure	4	Maintenance	21
Extension Wings	5	Care and Cleaning	21
Mounting Option	5	Accessories	21
Dust Collection Accessories	6		
Docking Station Assembly	7		
Operation - Drilling Pocket Holes	12		
Operation - Drilling and Driving Pocket-Hole Screws	17		

Safety Precautions

WARNING Before using a power tool with this product, read and follow the tool manufacturer's instructions and safety precautions in addition to the safety precautions below to reduce the risk of serious injury from hazards such as fire, electric shock, or rotating drill bit.

- Always wear personal protective equipment recommended by the manufacturer of the power tool you are using, such as eye, hearing, or respiratory protection.
- The drill bit is sharp. Handle with care.
- Do not allow familiarity gained from frequent use of your tools to replace safe work practices. A moment of carelessness is sufficient to cause serious injury.
- Avoid awkward hand positions where a sudden slip could cause contact with the rotating bit.
- When drilling, always ensure that the workpiece is clamped securely. It is dangerous to hold the workpiece in place by hand.

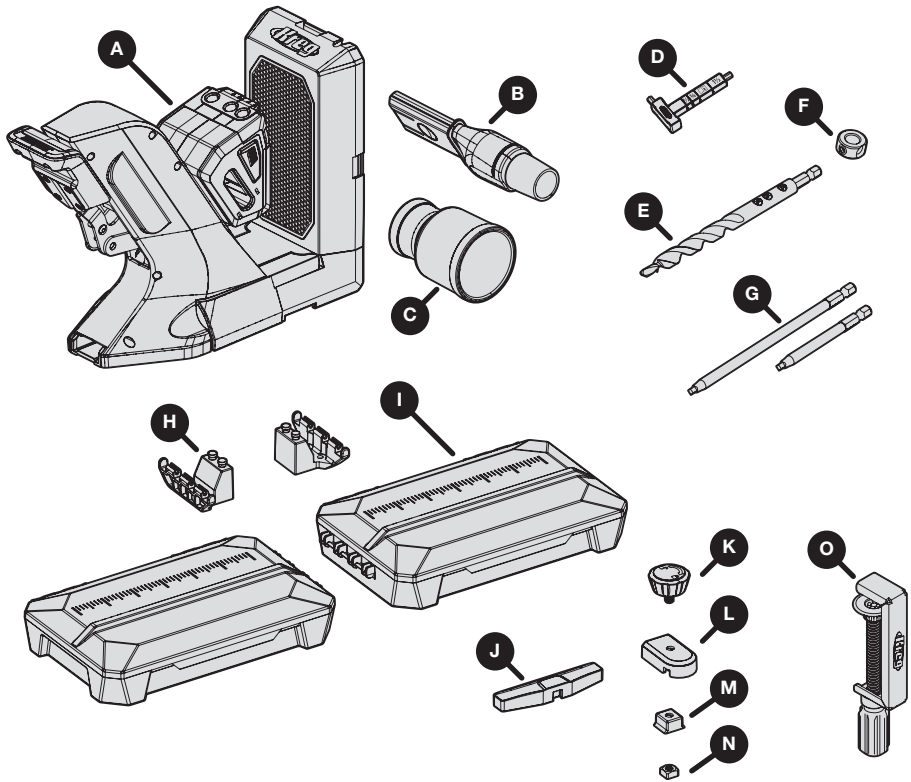
WARNING Do not operate this tool or any machinery while under the influence of drugs, alcohol, or medications.

WARNING This product can expose you to chemicals including Acrylonitrile and other chemicals, which are known to the State of California to cause cancer and reproductive harm. For more information go to www.P65Warnings.ca.gov.

Pre-Assembly

Review this section before you begin. Ensure that you have all tools and materials on hand. Compare the package with the items listed in the Product Description section. If any item is missing or lost, do not use this product. Contact Technical Support or return the product to the place of purchase.

Product Description



Part	Description
A	KPHJ720 Jig
B	Dust collection blade
C	Dust adapter
D	Material thickness gauge/Hex wrench
E	Easy-set pocket-hole drill bit
F	Easy-set stop collar
G	Driver bits (3" and 6")

Part	Description
H ¹	Dock adapters for KPHJ720 (2)
I ¹	Material support wings (2)
J ¹	Adjustable stop arm
K ¹	Adjustable stop knob
L ¹	Adjustable stop base
M ¹	Adjustable stop base wedge
N ¹	Adjustable stop square nut
O ¹	KPHA760 Pocket-hole jig clamp

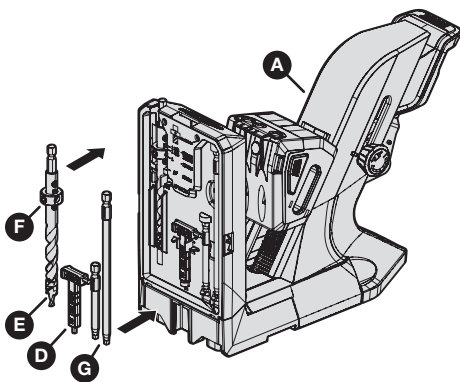
¹ These parts from the KPHA750 pocket-hole jig docking station are included with the KPHJ720PRO package.

Note The product also includes two sample screw packs (not shown).

Onboard Tool Storage

The KPHJ720 Jig (A) provides onboard storage for these items:

- Easy-set pocket-hole drill bit (E) with easy-set stop collar (F) attached
- Material thickness gauge/hex wrench (D)
- 3" and 6" driver bits (G)

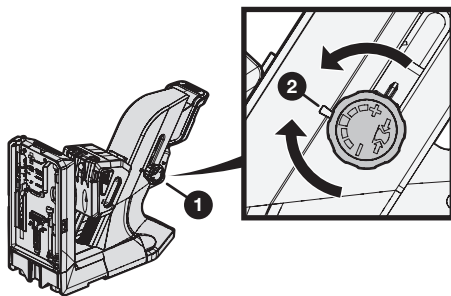


Adjustable Clamp Pressure

A knob (1) on the side of the KPHJ720 Jig enables you to increase or decrease the clamp pressure that is applied to your workpiece. Five pressure settings are available. The jig ships from the factory with the clamp pressure at the middle setting.

To adjust the clamp pressure:

- Lift the jig handle all the way up to release the clamp pressure.
- Rotate the clamp-pressure adjustment knob (1) one click in the desired direction:
 - Clockwise to decrease pressure
 - Counterclockwise to increase pressure
- With a test block in place, reapply the clamp pressure by pressing the jig handle down in one smooth motion until the jig handle is at its travel limit.
- Repeat this process as needed until you are satisfied with the clamp pressure.



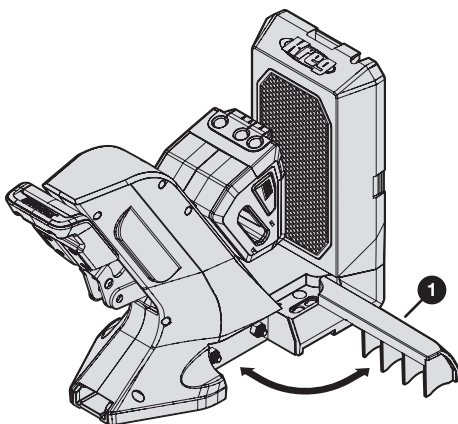
Note

- The jig is set to minimum clamp pressure when the “minus” sign on the clamp-pressure adjustment knob (1) aligns with the selection mark (2).
- The jig is set to maximum clamp pressure when the “plus” sign on the clamp pressure adjustment knob (1) aligns with the selection mark (2).

Extension Wings

The KPHJ720 Jig has two extension wings, one (1) on each side of the jig base. You can rotate one or both wings out to 90 degrees to provide added stability and material support.

Note If you use the optional docking station with the jig, you will use the docking station's material support wings instead of the extension wings shown here. See **Docking Station Assembly** on page 7.



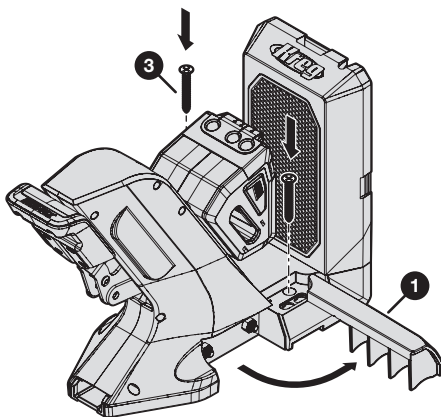
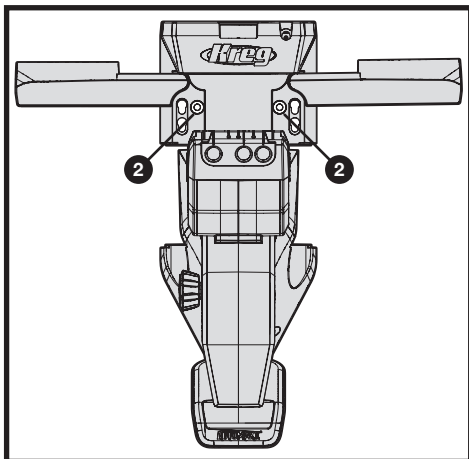
Mounting Option

If desired, you can mount the KPHJ720 Jig to your work surface for added stability.

Note These instructions apply to a jig that is used *without* the optional docking station.

- Place the jig in the desired position on your workbench.
- Rotate the extension wing (1) on each side of the jig to 90 degrees.
Two mounting holes (2) are now accessible (one hole on each side of the jig).
- Drive one Kreg pocket-hole screw (3) through each mounting hole (2).

Note You can use Kreg SML-C125 screws or any other Kreg pocket-hole screw.



Dust Collection Accessories

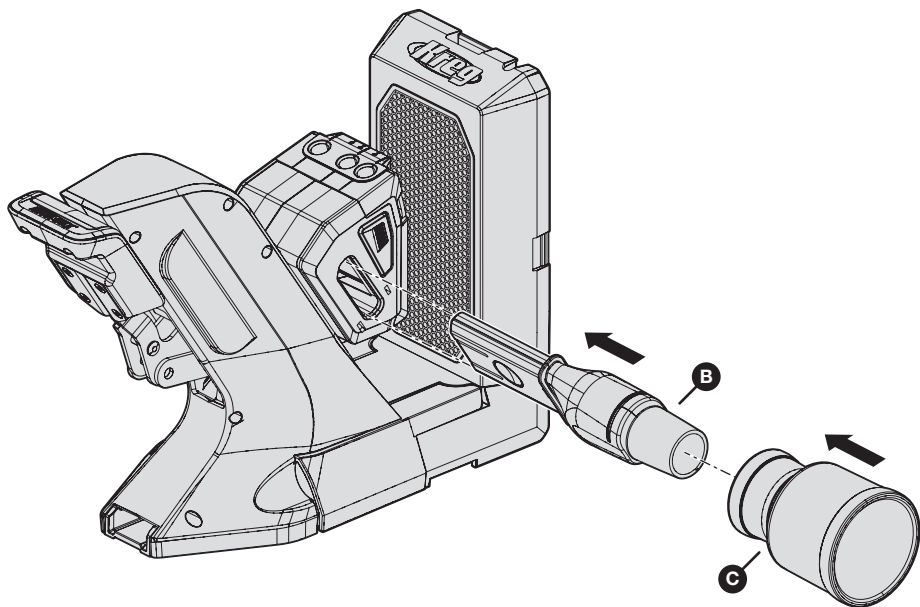
You can use the provided dust collection accessories to capture dust as you drill.

To attach the dust collection accessories:

- a. If necessary for the hose diameter you are using, attach the dust adapter (C) to the wide end of the dust collection blade (B).

Hose diameter	Requires dust adapter?
1-1/4"	No
1-7/8"	No
2-1/2"	Yes

- b. Insert the narrow end of the dust collection blade (B) into the left or right side of the jig.



Note You can leave the dust collection blade and dust adapter attached to the jig when the jig is not in use.

Docking Station Assembly

This section describes how to assemble the docking station that is included with the KPHJ720PRO package. You can also purchase the docking station separately (see **Accessories** on page 21).

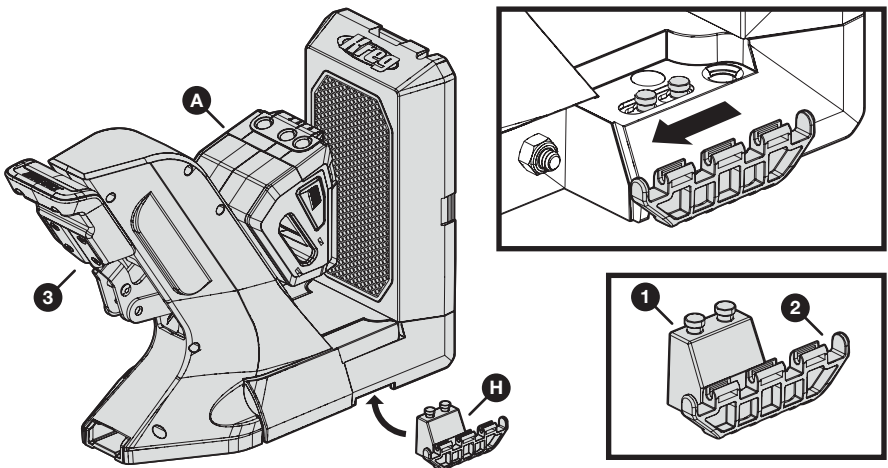
Note If you are not using the docking station, skip this section and continue to **Operation - Drilling Pocket Holes** on page 12.

1 Connect the Dock Adapters to the Jig

- Place the KPHJ720 Jig (A) on a flat surface.
- With one hand, lift one side of the jig (A) slightly.
- With your other hand, place a dock adapter (H) under the jig (A) so that the attachment pins (1) fit into the corresponding hole on the underside of the jig (A); then slide the dock adapter (H) toward the jig handle (3) to lock the dock adapter (H) into position.

Note One side of a dock adapter (H) has attachment pins (1) that fit under the jig; the other side has a connector (2) for a material support wing (not shown). Ensure that the wing-connector side (2) of the dock adapter (H) extends out from the side of the jig (A).

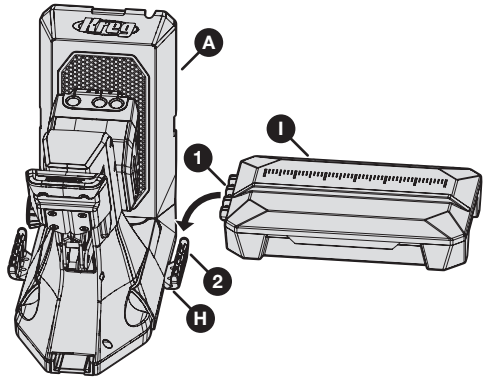
- Repeat steps b and c to connect the other dock adapter (H) on the opposite side of the jig (A).



2 Connect the Material Support Wings to the Dock Adapters

Tip The material support wings also serve as storage boxes.

- a. Hold a material support wing (I) right-side up (so that the lid of the storage box is facing up and opens away from you).
- b. Align the connector (1) on the side of the material support wing (I) with the connector (2) on the dock adapter (H) that extends from the side of the jig (A); then press the material support wing (I) down firmly so that the connectors snap together.



Note The bars on the material-support-wing connector (1) snap into the grooves on the dock-adapter connector (2).

- c. Repeat these steps to connect the other material support wing (I) to the dock adapter (H) on the opposite side of the jig (A).

Note You can fold the material support wings up to the vertical position to save space when the jig is not in use, or to make it easier to move the jig from one location to another. Always fold the material support wings down before using the jig.

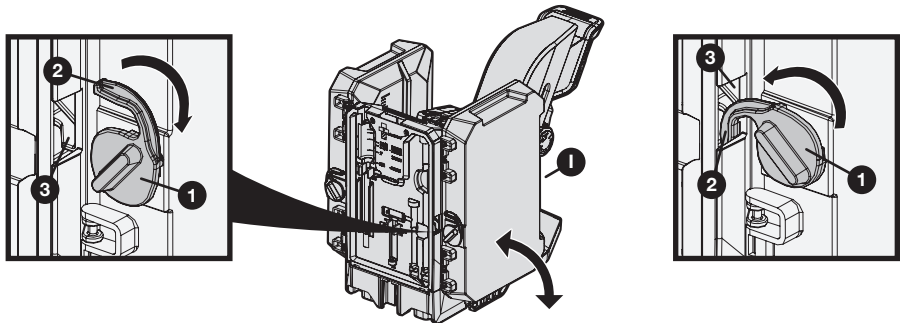
Note If you use the dust collection accessories (page 6), you must remove them from the jig in order to fold the material support wings up.

To fold up the material support wings:

- Fold the material support wing (I) up to a vertical position.
- Rotate the wing lock (1) inward until the latch (2) engages securely in the notch (3) on that side of the jig.

To fold down the material support wings:

- Rotate the wing lock (1) outward until the latch (2) disengages from the notch (3) in the side of the jig.
- Fold the material support wing (I) down to the horizontal position.

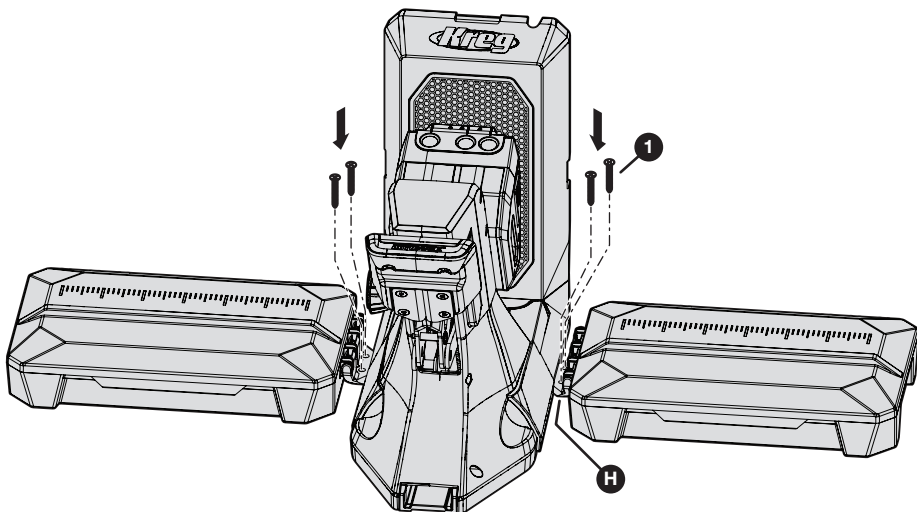
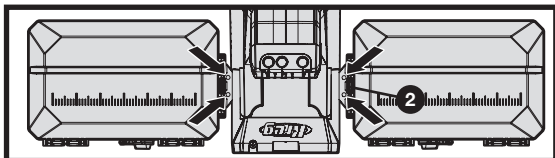


3 Optional: Mount the Dock Adapters to a Work Surface

If desired, you can mount the dock adapters to your work surface for added stability.

- Place the docking station (with the 700-Series Jig attached to it) in the desired position on your workbench.
- Drive one Kreg pocket-hole screw (1) through each of the four mounting holes (2) in the dock adapters (H).

Note You can use Kreg SML-C125 screws or any other Kreg pocket-hole screw.



4 Assemble the Adjustable Stop Base

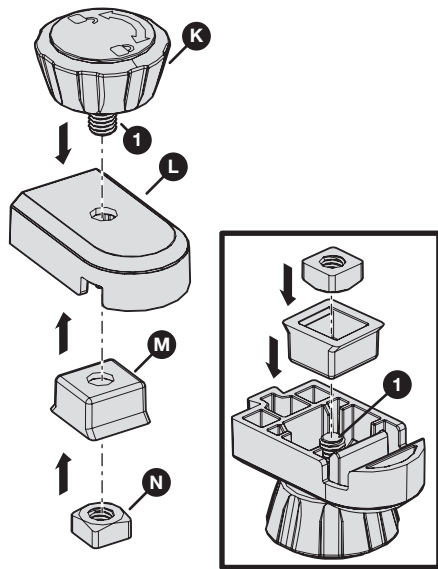
The docking station includes an adjustable stop that can be attached to either material support wing. The adjustable stop makes it easy to achieve repeatable results when you have many pieces that require the same pocket-hole spacing.

Note The adjustable stop has two parts: the adjustable stop base, which you will assemble in this step; and the adjustable stop arm, which can be attached to the adjustable stop base in different configurations (see step 5).

- Insert the screw (1) of the adjustable stop knob (K) into the hole on top of the stop base (L).
- Holding the knob (K) in position, turn the stop base (L) upside down so that the screw (1) extends upward.
- Drop the adjustable stop base wedge (M) onto the screw (1) with its flanged side facing up.

Note The adjustable stop base wedge (M) should sit flush with the adjustable stop base (L). If it does not sit flush, rotate the adjustable stop base wedge (M) 90 degrees.

- Place the adjustable stop square nut (N) onto the screw (1); then rotate the adjustable stop knob (K) until the adjustable stop square nut (N) is finger-tight.

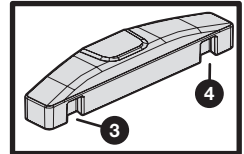
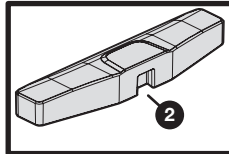
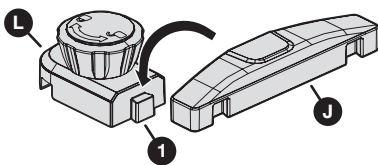


5 Attach the Adjustable Stop Arm to the Adjustable Stop Base

Slide a notch in the adjustable stop arm (J) down over the tab (1) on the adjustable stop base (L) until the adjustable stop arm (J) is fully seated on the tab (1).

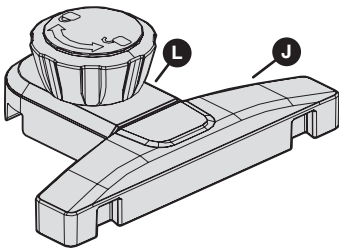
Note The adjustable stop arm (J) has three notches: a center notch (2) on one side and two outer notches (3, 4) on the opposite side. Use the appropriate notch depending on how you want to configure the adjustable stop.

Note To change the configuration of the adjustable stop, lift the adjustable stop arm (J) off the adjustable stop base (L). Then slide a different notch of the adjustable stop arm (J) over the tab (1) on the adjustable stop base (L).



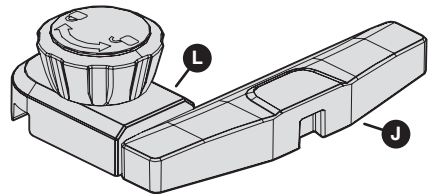
Centered Configuration

Use the arm's center notch (2)



Side Configuration


Use either of the arm's outer notches (3, 4), so that the arm (J) extends to one side of the base (L)

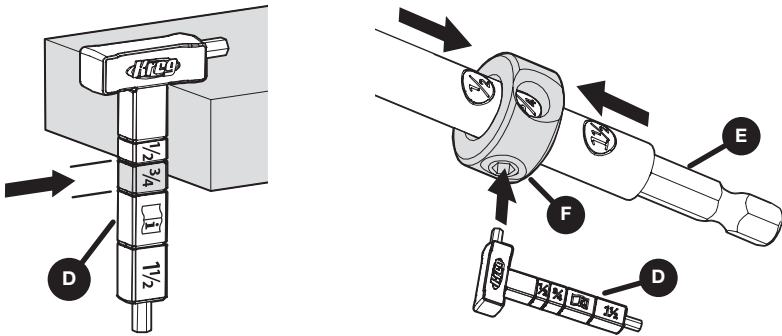


Operation - Drilling Pocket Holes

1 Determine the Material Thickness and Set the Stop Collar

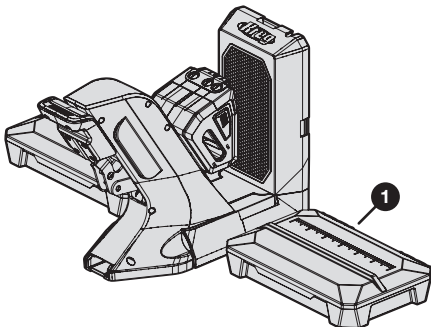
- Use the material thickness gauge (D) to determine the material thickness range.
- Set the stop collar (F) by placing it on the drill bit (E) and aligning the window of the stop collar (F) with the measurement thickness range determined in step a.
- Use the hex wrench built into the material thickness gauge (D) to lock the stop collar (F) into place on the drill bit (E).

Note If your material thickness falls in the  range, use the same setup techniques as the 3/4" range with a 1-1/2" screw.

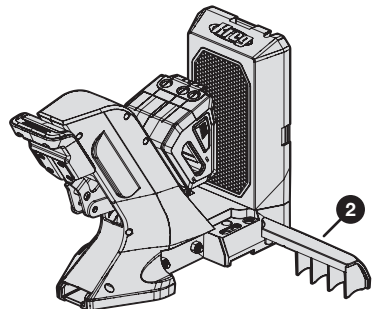


2 If applicable: Stabilize the Jig

- If you are using the docking station:** Fold both material support wings down to their horizontal position (1).
- If you are not using the docking station:** You can rotate one or both of the jig's extension wings (2) out from the jig base to provide additional stability, if desired.



With docking station: Material support wings folded down



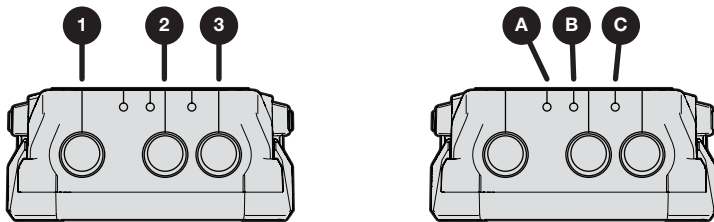
Without docking station: Extension wings rotated out

3 Position Your Workpiece

a. Place your workpiece in the jig and use the drill guide to align it.

Note There are two alternate methods for aligning your Kreg Jig with your workpiece:

- Align the center line of any pocket-hole guide (numbers 1, 2, or 3) with the desired location on your workpiece. For wider panels (over 3-1/2" wide) pocket holes should be placed 5/8" to 1-1/2" from each edge of the workpiece and then every 6" to 8".
- Use the board centering marks (letters A, B, or C) to center two pocket holes on the workpiece ranging in width from 1-1/4" to 3-1/2" wide. See the table below for details on each size range.



Board Width	Center Mark	Drill Guide
1-1/4" to 1-3/4"	C	2 and 3
1-3/4" to 2-3/8"	A	1 and 2
2-3/8" to 3-1/2"	B	1 and 3

b. When you are satisfied with the position of the workpiece in the jig, continue to step 4.

4 Clamp Your Workpiece

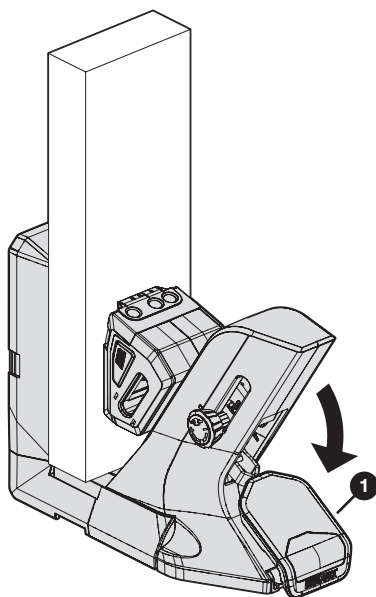
- a. Press down on the jig handle (1) in one smooth motion until the jig handle (1) is at its travel limit.

Note If you have difficulty pressing the jig handle (1) to its travel limit, decrease* the clamp pressure.

- b. Check to see if your workpiece is held securely in the jig; increase* the clamp pressure, if necessary.

Note Increase the clamp pressure if the clamp does not hold the workpiece as securely as you want, if you see movement in the workpiece, or if you are using a plug cutter drill guide attachment.

* See **Adjustable Clamp Pressure** on page 4.



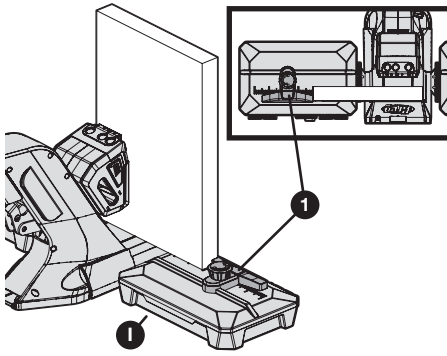
5 Optional: Set the Adjustable Stop

Note The adjustable stop enables you to drill pocket holes on similar workpieces at a faster pace. The adjustable stop is an accessory that is included with the docking station. If you are not using the docking station, skip this step and continue to step 6.

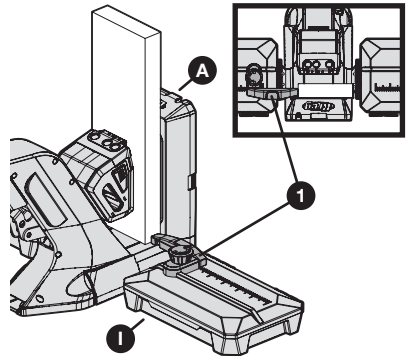
- a. If necessary, change the configuration of the adjustable stop to accommodate the size and orientation of your workpiece in the jig:
- **Wide workpiece:** If the workpiece is wide enough to extend onto the top of a material support wing (I), use the adjustable stop (1) in its *centered* configuration.
 - **Narrow workpiece:** If the workpiece does not extend across the gap between the jig and the material support wing (I), use the adjustable stop (1) in a *side* configuration.

Note For a side configuration, use whichever outer notch in the adjustable stop arm will be farther from the jig after you place the adjustable stop (1) onto a material support wing (I).

Note For instructions on changing the configuration, see **Attach the Adjustable Stop Arm to the Adjustable Stop Base** on page 11.

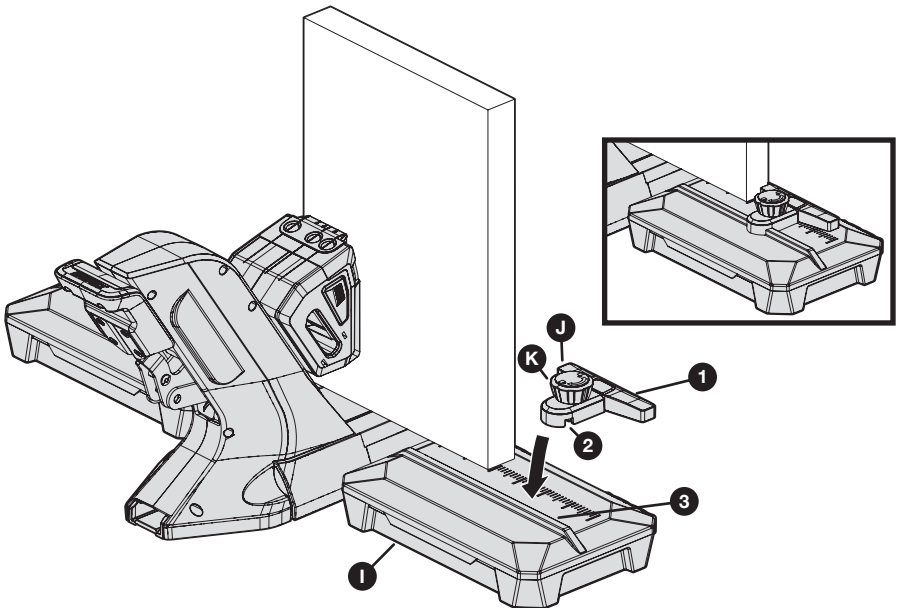


Adjustable stop (1) in centered configuration for wide workpiece



Adjustable stop (1) in side configuration for narrow workpiece

- b. Place the adjustable stop (1) onto the lid of a material support wing (l) so that:
- The edge of the adjustable-stop arm (J) rests snugly against the workpiece.
 - The notch (2) on the underside of the adjustable stop base fits over the rail (3) that runs across the lid of the material support wing (l).
- c. Rotate the adjustable stop knob (K) clockwise until tight to secure the adjustable stop (1) in position.

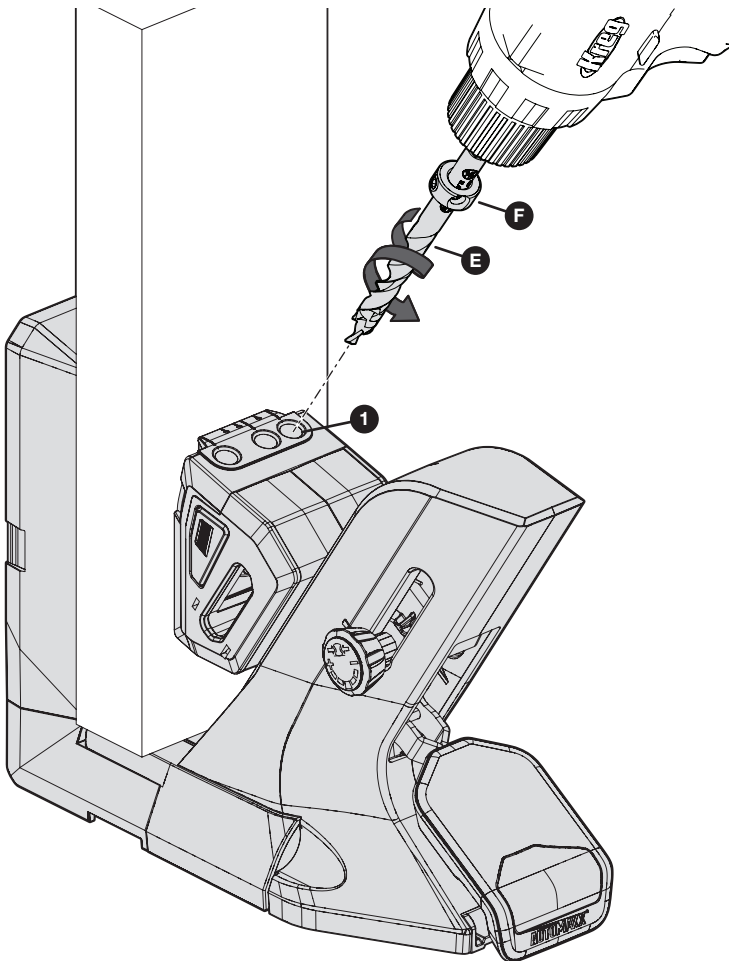


Note To reposition or remove the adjustable stop (1), rotate the adjustable stop knob (K) counterclockwise to loosen it. Then slide the adjustable stop (1) to a new position along the rail (3) or lift it off of the material support wing (l).

6 Drill Pocket Holes

WARNING When drilling, always ensure that the workpiece is clamped securely and that the jig handle is pressed down to its travel limit.


- Place your prepared drill bit (E) with stop collar (F) into your drill.
- Insert your drill bit (E) into the drill guide (1) and bring your drill up to speed before contacting the workpiece to ensure correct rotation of the drill bit.
- Drill until the stop collar (F) stops going any deeper due to contact between the stop collar (F) and drill guide (1). Remove the drill bit (E) from the drill guide (1) while the drill bit is still rotating.
- When you are finished drilling pocket hole(s), lift the jig handle to release the clamping pressure; then remove your workpiece.




Operation - Drilling and Driving Pocket-Hole Screws

For best results, follow these guidelines when drilling and driving pocket-hole screws:

- Use the correct screw size according to this chart:

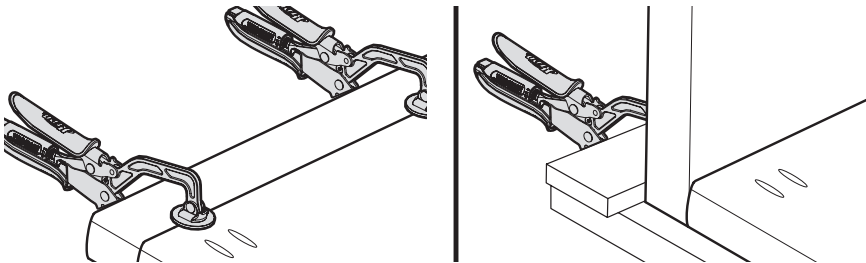
Gauged Material Thickness	Easy-Set Stop Collar	Material Thickness Setting	Screw Length
1/2 Range	1/2	Automatic	1" (25 mm)*
3/4 Range	3/4		1-1/4" (32 mm)
 1-1/2 Range	3/4		1-1/2" (38 mm)
1-1/2 Range	1 1/2		2-1/2" (64 mm)

* A 1" screw is recommended for most applications, but if your workpiece is on the low end of the range, a 3/4" screw might be required to keep the screw tip from protruding.

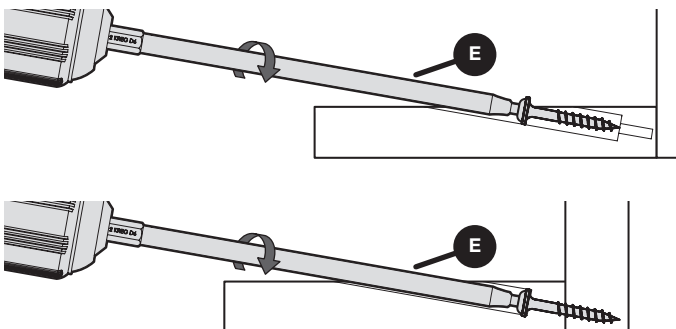
Note If your material thickness falls in the  range, use the same setup techniques as the 3/4" range with a 1-1/2" screw. For more information on screw selections, go to www.Kregtool.com/Screws or simply scan the QR code on the side of your sample screw package.

- Clamp joints in place to ensure a better finished joint. These examples show face joints and edge joints.

WARNING When drilling, always ensure that the workpiece is clamped securely.



- Place your screw on the driver tip (E), position the screw in the pocket hole, and drive the screw until it is fully seated without overdriving.



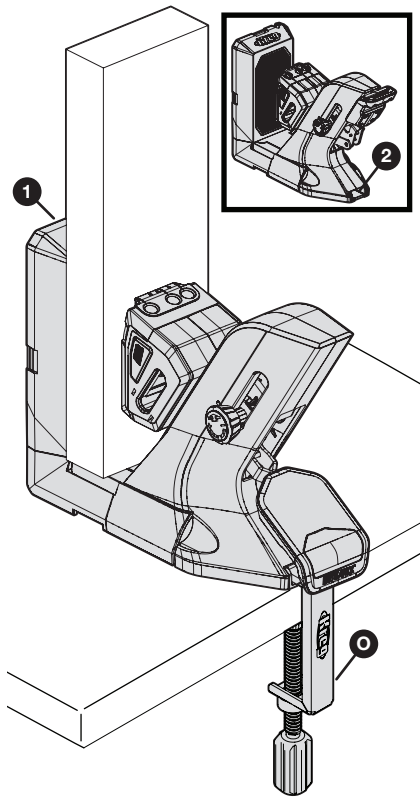
Using Your Kreg Jig

Your Kreg Jig has been designed to work in either a vertical or horizontal orientation to accommodate your workpiece.

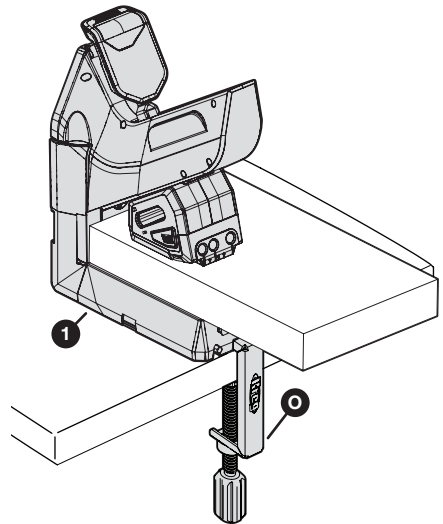
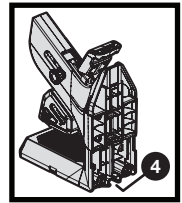
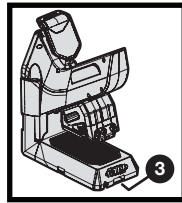
To switch from one orientation to the other, simply rotate the jig 90 degrees.

In either orientation, you can use the pocket-hole jig clamp (O) to secure the jig in place on your workbench.

Orientation	Description	Clamp Position Options
Vertical	Tool-storage side (1) is vertical	One available clamp position (2)
Horizontal	Tool-storage side (1) is face-down	Two available clamp positions (3, 4)



Vertical



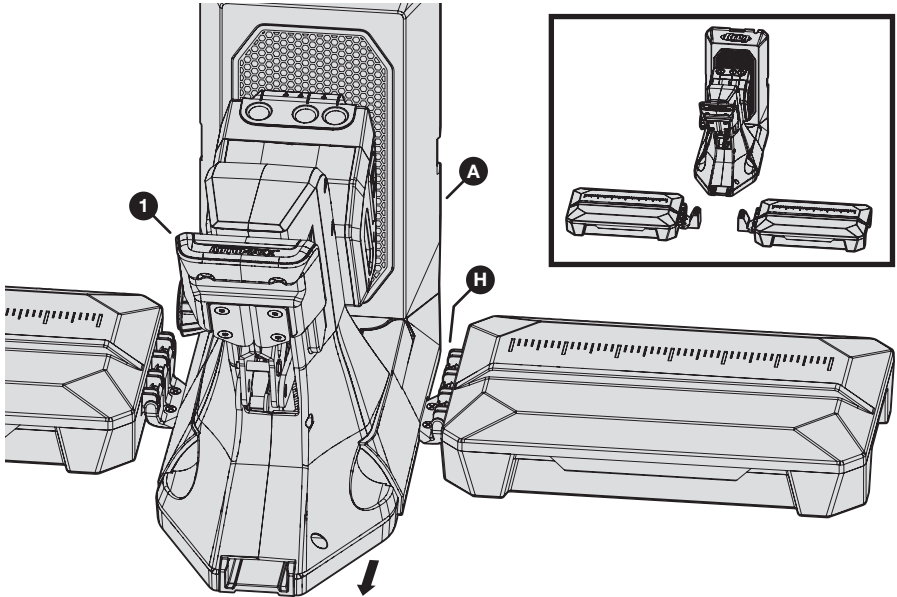
Horizontal

Removing the Jig from the Docking Station

If you use the 700-Series Jig with the optional docking station, you can remove the jig from the docking station at any time.

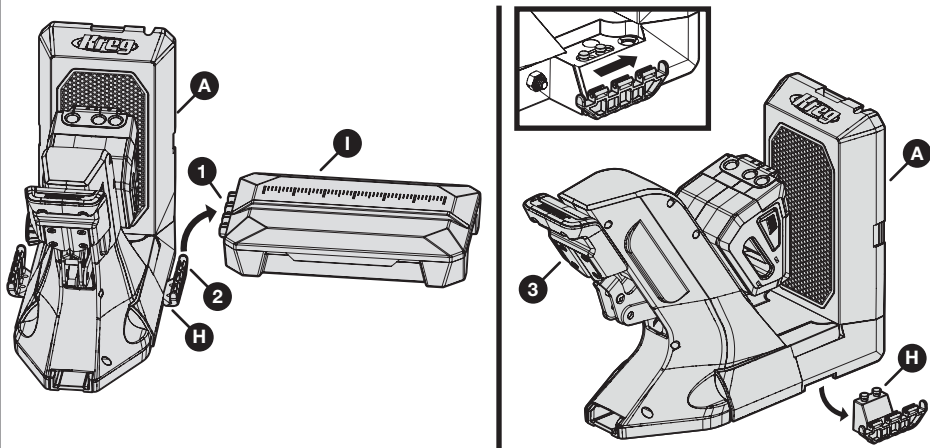
Removing a Kreg 700-Series Jig from a Mounted Docking Station

With the jig handle (1) facing you, slide the jig (A) toward you until the jig (A) disengages from the dock adapters (H). Then lift the jig (A) off the dock adapters (H).



Removing a Kreg 700-Series Jig from an Unmounted Docking Station

- a. Detach each material support wing (I):
 1. Grasp the material support wing (I) close to where it connects to the dock adapter (H).
 2. Gently lift up the material support wing (I) so that the material-support-wing connector (1) pops out of the dock-adapter connector (2).
- b. For the dock adapter (H) on each side of the jig (A):
 1. Lift that side of the jig (A) slightly off the work surface.
 2. With the jig handle (3) facing you, slide the dock adapter (H) away from you until the dock adapter (H) disengages from the slot on the underside of the jig (A).
 3. Pull the dock adapter (H) out from the underside of the jig (A).



Maintenance

Periodically apply light oil to the moving linkage of the handle.

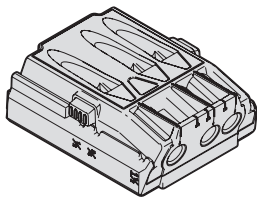
Care and Cleaning

Periodically clean your tool by vacuuming any chips and wood dust.

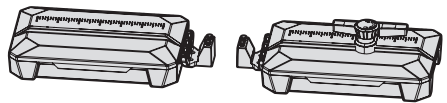
Use a damp cloth to wipe Sure-Grip™ anti-slip pad surfaces clean of dust and debris.

Accessories

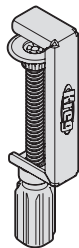
KPHA730 Kreg Micro Drill Guide



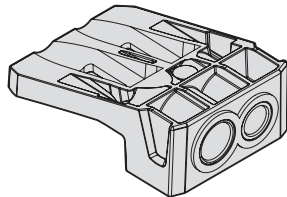
KPHA750 Pocket-Hole Jig Docking Station



KPHA760 Kreg Bench Clamp



KPHA740 Plug Cutting Drill Guide





EXPLORE. BUILD. SHARE.

We're makers just like you.

That's why we love to see what you're working on.

Share with the community and get inspired!

#madewithKreg

Get free plans, project resources, and more.

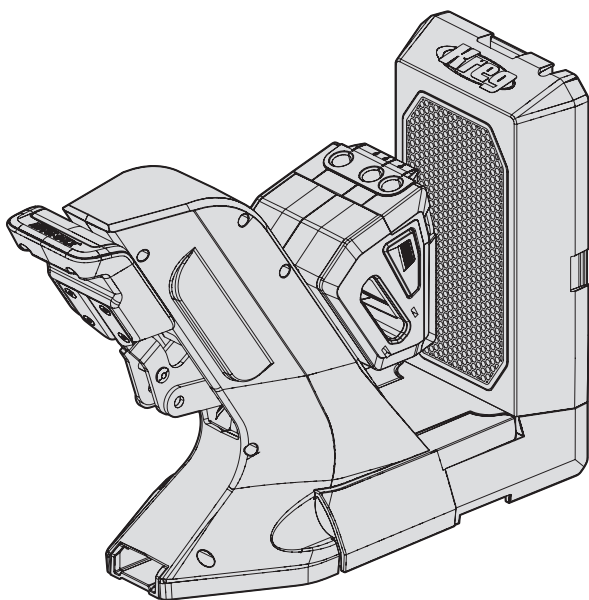
kregtool.com and buildsomething.com

GUIDE D'UTILISATEUR



Gabarit de perçage à angle série 700 de Kreg

Ce manuel s'applique à tous les gabarits de perçage à angle série 700



AVERTISSEMENT Chaque utilisateur doit lire et suivre les instructions et les précautions de sécurité de ce manuel. Respectez cette consigne afin d'éviter tout risque de blessures graves. Conservez le manuel pour une utilisation ultérieure.

Nous sommes là pour vous aider.

Nous voulons que votre projet de construction se déroule de manière optimale.

Si vous avez des questions ou si vous avez besoin d'aide, n'hésitez pas à nous contacter.

1 800 447-8638 | technicalsupport@kregtool.com

Parlez-nous de votre expérience.

Votre opinion compte. Et nous sommes toujours à la recherche de moyens de nous améliorer.

Partagez vos commentaires afin que nous puissions continuer à croître et à innover, pour vous.

www.kregtool.com/feedback

Table des matières

Précautions de sécurité	24	Utilisation de votre gabarit Kreg . . .	40		
Avant l'assemblage	25	Retrait du gabarit de la station d'accueil	41		
Description du produit	25	Retrait d'un gabarit série 700 de Kreg à	partir d'une station d'accueil fixée . . .	41	
Rangement pour outils intégré . . .	26	Retrait d'un gabarit série 700 de Kreg à	partir d'une station d'accueil qui n'est	pas fixée.	42
Pression de serrage ajustable. . . .	26	Maintenance	43		
Rallonges de palette	27	Entretien et nettoyage	43		
Options de montage	27	Accessoires	43		
Accessoires de dépoussiérage . . .	28				
Assemblage de la station d'accueil	29				
Fonctionnement – Perçage à angle	34				
Fonctionnement – Perçage et utilisation	des vis pour perçage à angle. . . .		39		

Précautions de sécurité

AVERTISSEMENT Avant d'utiliser un outil électrique avec ce produit, veuillez lire et suivre les instructions et les précautions de sécurité du fabricant de l'outil, en plus des précautions de sécurité ci-dessous, afin de réduire le risque de blessures graves dues à des risques comme le feu, les chocs électriques ou les mèches de forage rotatives.

- Portez toujours l'équipement de protection individuelle recommandé par le fabricant de l'outil électrique que vous utilisez, par exemple une protection pour les yeux, les tympans ou les voies respiratoires.
- La mèche de forage est tranchante. Manipulez-la avec précaution.
- Faites attention lorsque vous devenez familier avec l'outil en raison d'une utilisation fréquente. Employez systématiquement des pratiques de travail sécuritaires. Un moment d'inattention est suffisant pour causer des blessures graves.
- Évitez de positionner vos mains de manière maladroite, car un glissement soudain pourrait causer un contact avec la mèche en rotation.
- Lors du perçage, assurez-vous toujours que la pièce de travail est solidement ancrée en place. Il est dangereux de tenir une pièce de travail en place à l'aide de votre main.

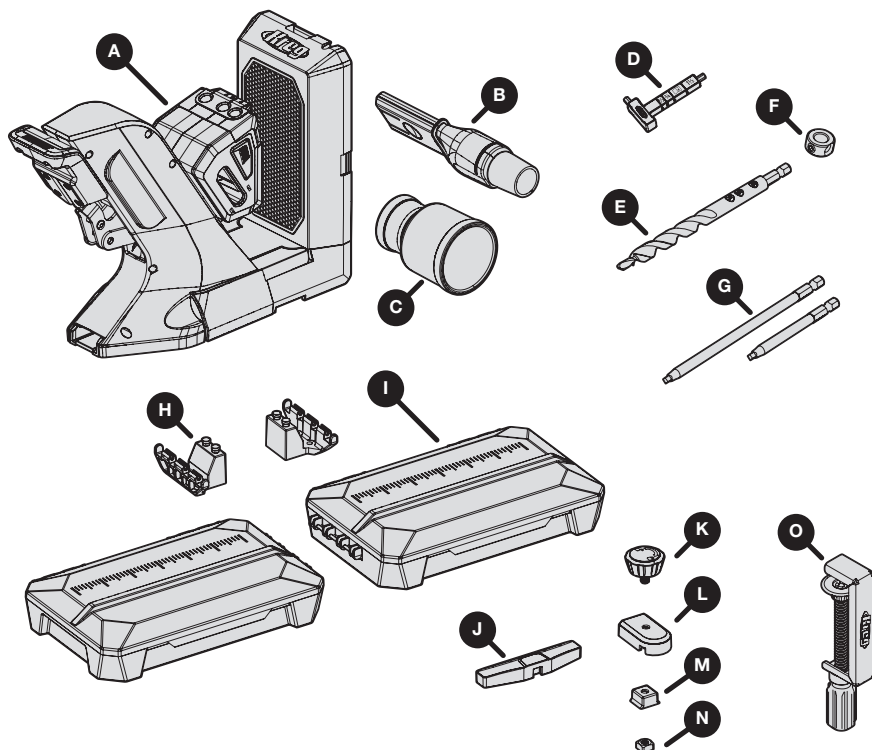
AVERTISSEMENT N'utilisez pas cet outil ou toute autre machine sous l'influence de drogues, d'alcool ou de médicaments.

AVERTISSEMENT Ce produit peut vous exposer à des produits chimiques, notamment l'acrylonitrile ou d'autres types dont l'État de Californie reconnaît être cancérigènes et nocifs pour la reproduction. Pour en savoir plus, visitez www.P65Warnings.ca.gov.

Avant l'assemblage

Consultez cette section avant de commencer. Assurez-vous d'avoir tous les outils et les matériaux à portée de main. Comparez le contenu de votre paquet avec les éléments énumérés dans la section Description du produit. Si un article est manquant, n'utilisez pas ce produit. Contactez le support technique ou retournez le produit où vous l'avez acheté.

Description du produit



Pièce	Description
A	Gabarit KPHJ720
B	Lame de dépoussiérage
C	Adaptateur pour la poussière
D	Jauge d'épaisseur des matériaux/ Clé hexagonale
E	Mèche de perçage à angle à réglage facile
F	Bague d'arrêt à réglage facile
G	Embouts de tournevis (3 po et 6 po)

Pièce	Description
H ¹	Adaptateurs de station pour KPHJ720 (2)
I ¹	Ailes de support pour le matériau (2)
J ¹	Bras d'arrêt réglable
K ¹	Bouton d'arrêt réglable
L ¹	Base d'arrêt réglable
M ¹	Cale de la base d'arrêt réglable
N ¹	Écrou d'arrêt carré réglable
O ¹	Pince pour gabarit de perçage à angle KPHA760

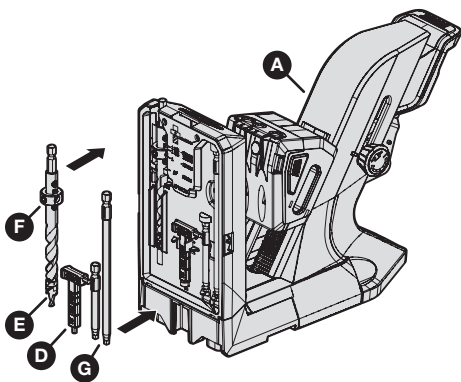
¹ Ces pièces de la station d'accueil pour gabarit de perçage à angle KPHA750 sont incluses dans le paquet KPHJ720PRO.

Remarque Le produit comprend également deux échantillons de paquets de vis (non illustrés).

Rangement pour outils intégrés

Le gabarit KPHJ720 (A) offre un espace de rangement intégré pour les outils suivants :

- Mèche de perçage à angle à réglage facile (E) avec bague d'arrêt à réglage facile (F) inclus
- Jauge d'épaisseur des matériaux/ Clé hexagonale (D)
- Embouts de tournevis de 3 po et 6 po (G)

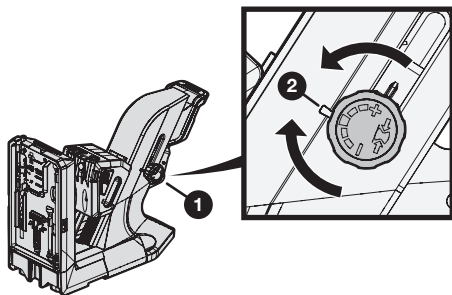


Pression de serrage ajustable

Un bouton (1) sur le côté du gabarit KPHJ720 vous permet d'augmenter ou de diminuer la pression de serrage qui est appliquée sur votre pièce. Cinq réglages de pression sont disponibles. Lorsque le gabarit sort de l'usine, la pression de la pince est réglée au milieu.

Pour ajuster la pression de la pince :

- Soulevez la poignée du gabarit jusqu'au bout pour relâcher la pression de la pince.
- Tournez le bouton de réglage de la pression de serrage (1) d'un clic dans la direction souhaitée :
 - Dans le sens des aiguilles d'une montre pour diminuer la pression
 - Dans le sens inverse des aiguilles d'une montre pour augmenter la pression
- En positionnant un bloc de test en place, réappliquez la pression de serrage en pressant la poignée du gabarit vers le bas en un mouvement fluide jusqu'à ce que la poignée du gabarit ait traversé sa distance maximale.
- Répétez ce processus jusqu'à ce que vous soyez satisfait de la pression de serrage.



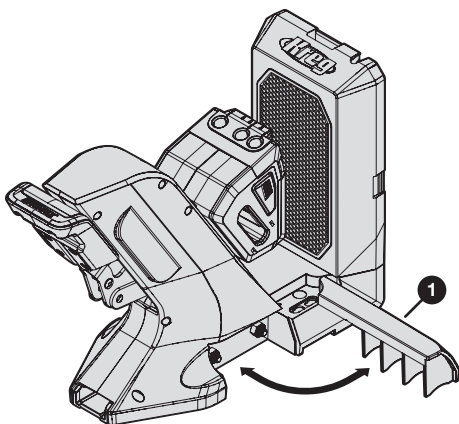
Remarque

- Le gabarit est réglé sur la pression de serrage minimale lorsque le signe « moins » sur le bouton de réglage de la pression de serrage (1) s'aligne sur la marque de sélection (2).
- Le gabarit est réglé sur la pression de serrage maximale lorsque le signe « plus » sur le bouton de réglage de la pression de serrage (1) s'aligne sur la marque de sélection (2).

Rallonges de palette

Le gabarit KPHJ720 a deux rallonges de palette, une (1) de chaque côté de la base du gabarit. Vous pouvez faire pivoter une ou les deux rallonges de palette à 90 degrés pour plus de stabilité et pour mieux soutenir votre matériau.

Remarque Si vous utilisez la station d'accueil optionnelle avec le gabarit, vous utiliserez les ailes de support pour le matériau de la station d'accueil au lieu des rallonges de palette illustrées ici. Consultez la section **Assemblage de la station d'accueil** à la page 29.



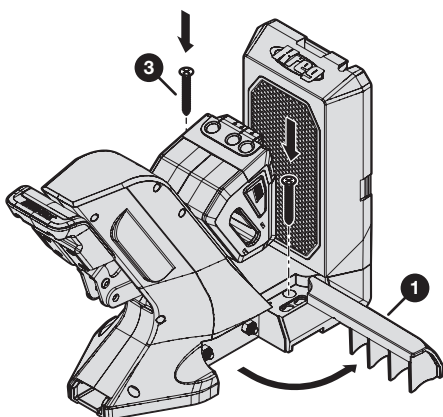
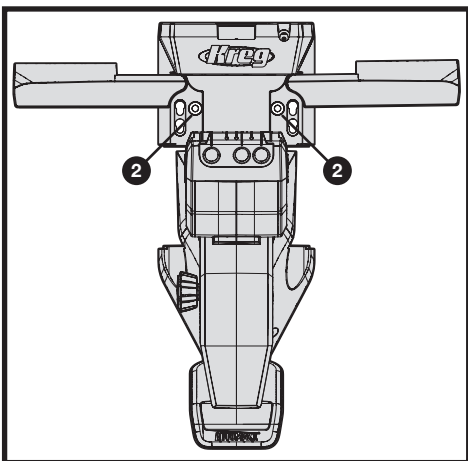
Options de montage

Si vous le souhaitez, vous pouvez fixer le gabarit KPHJ720 sur votre surface de travail pour plus de stabilité.

Remarque Ces instructions s'appliquent à un gabarit qui est utilisé *sans* la station d'accueil optionnelle.

- Placez le gabarit dans la position souhaitée sur votre établi.
- Faites pivoter la rallonge de palette (1) de chaque côté du gabarit à 90 degrés. Deux trous de fixation (2) sont maintenant accessibles (un trou de chaque côté du gabarit).
- Enfoncez une vis pour perçage à angle Kreg (3) dans chaque trou de fixation (2).

Remarque Vous pouvez utiliser des vis Kreg SML-C125 ou toute autre vis de perçage à angle Kreg.



Accessoires de dé poussiérage

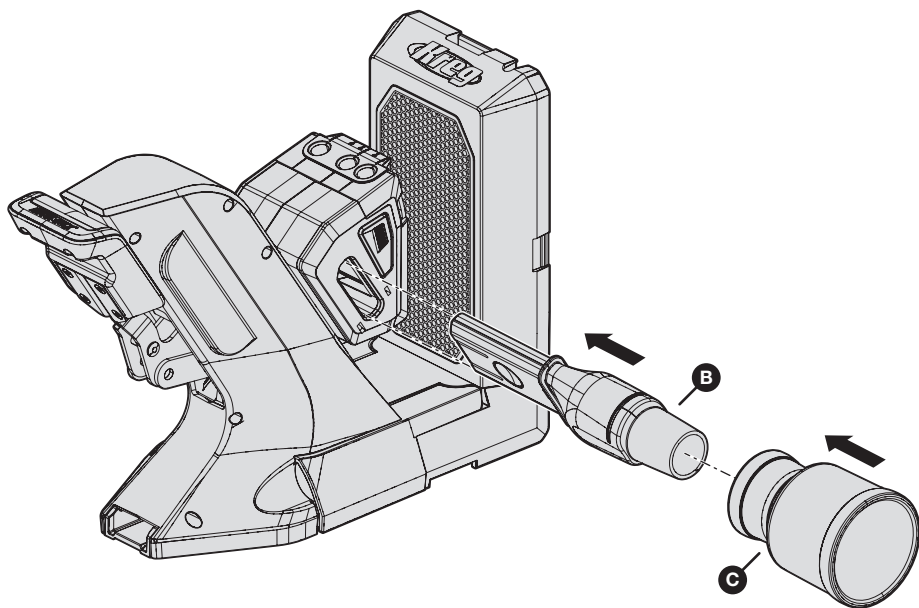
Vous pouvez utiliser les accessoires de dé poussiérage fournis afin de capturer la poussière à mesure que vous percez.

Pour fixer les accessoires de dé poussiérage :

- Si le diamètre du tuyau que vous utilisez le requiert, fixez l'adaptateur anti-poussière (C) à l'extrémité large de la lame de dé poussiérage (B).

Diamètre du tuyau	Avez-vous besoin d'un adaptateur anti-poussière?
1 1/4 po (32 mm)	Non
1 7/8 po (48 mm)	Non
2 1/2 po (64 mm)	Oui

- Insérez l'extrémité étroite de la lame de dé poussiérage (B) dans le côté gauche ou droit du gabarit.



Remarque Vous pouvez laisser la lame de dé poussiérage et l'adaptateur pour la poussière fixés au gabarit lorsque celui-ci n'est pas utilisé.

Assemblage de la station d'accueil

Cette section décrit comment assembler la station d'accueil qui est incluse avec l'ensemble KPHJ720PRO. Vous pouvez également acheter la station d'accueil séparément (consultez la section **Accessoires** à la page 43).

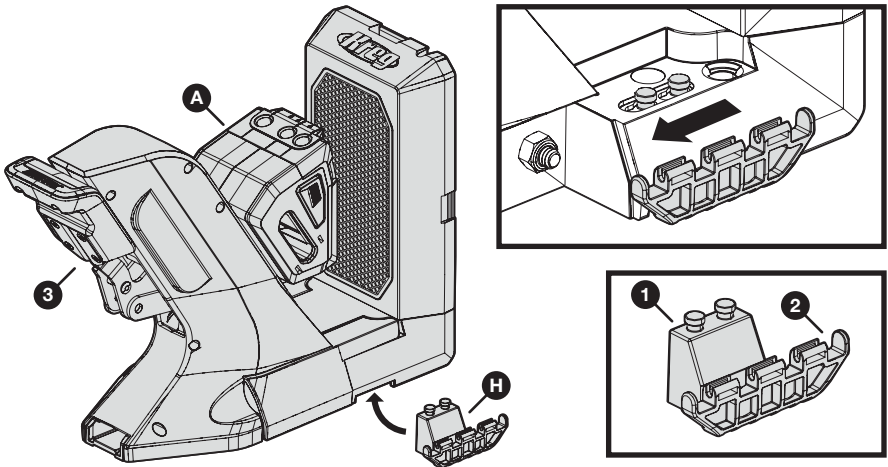
Remarque Si vous n'utilisez pas la station d'accueil, sautez cette section et continuez à la section **Fonctionnement – Perçage à angle** à la page 34.

1 Connectez les adaptateurs de station au gabarit

- Placez le gabarit KPHJ720 sur une surface plane.
- D'une main, soulevez légèrement un côté du gabarit.
- À l'aide de votre autre main, placez un adaptateur de station (H) sous le gabarit (A) de manière à ce que les goupilles de fixation (1) s'insèrent dans le trou correspondant sur la face inférieure du gabarit (A); puis faites glisser l'adaptateur de station (H) vers la poignée du gabarit (3) pour verrouiller l'adaptateur (H) en position.

Remarque Un côté de l'adaptateur de station (H) a des goupilles de fixation (1) qui se glissent sous le gabarit; l'autre côté est doté d'un connecteur (2) pour une aile de support (l'image ne l'illustre pas). Assurez-vous que le côté du connecteur pour aile de support (2) de l'adaptateur de station (H) dépasse sur le côté du gabarit (A).

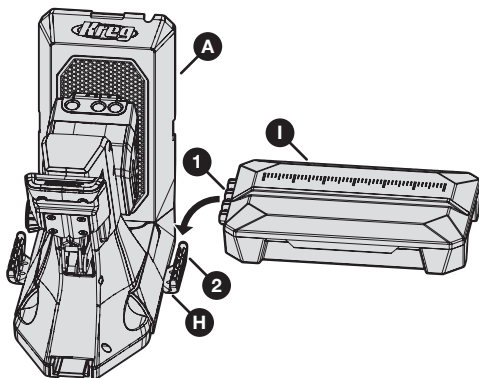
- Répétez les étapes b et c pour connecter l'autre adaptateur de station (H) sur le côté opposé du gabarit (A).



2 Raccordez les ailes de support pour le matériel aux adaptateurs de la base

Astuce Les ailes de support pour le matériel peuvent également servir de rangements.

- Tenez une aile de support pour le matériau (I) à l'endroit (de sorte que le couvercle de la boîte de rangement soit tourné vers le haut et s'ouvre à l'opposé de vous).
- Alignez le connecteur (1) sur le côté de l'aile de support (I) avec le connecteur (2) sur l'adaptateur de station (H) qui dépasse du côté du gabarit (A); puis appuyez fermement sur l'aile de support (I) pour que les connecteurs s'emboîtent.



Remarque Les barres du connecteur de l'aile de support (1) s'enclenchent dans les rainures du connecteur de la base de la station (2).

- Répétez ces étapes pour connecter l'autre aile de support (I) à l'adaptateur de station (H) sur le côté opposé du gabarit (A).

Remarque Vous pouvez replier les ailes de support en position verticale pour gagner de la place lorsque le gabarit n'est pas utilisé, ou pour faciliter le déplacement du gabarit d'un endroit à l'autre. Rabattez toujours les ailes de support avant d'utiliser le gabarit.

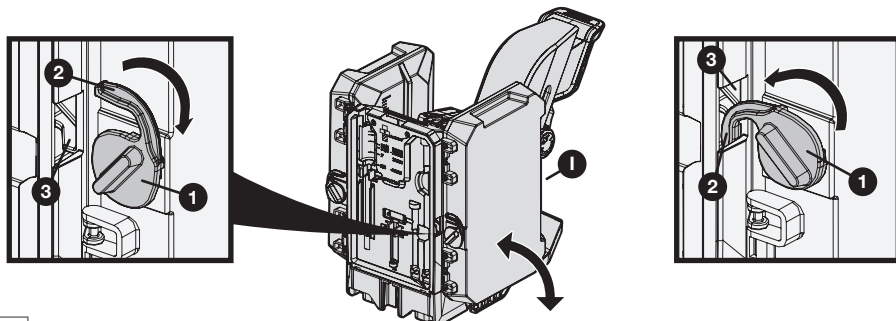
Remarque Si vous utilisez les accessoires de dépeussierage (page 28), vous devez les retirer du gabarit afin de replier les ailes de support pour le matériau.

Pour replier les ailes de support :

- Pliez l'aile de support (I) en position verticale.
- Faites pivoter le verrou de l'aile (1) vers l'intérieur jusqu'à ce que le loquet (2) s'engage de manière sécuritaire dans l'encoche (3) située sur le côté du gabarit.

Pour rabattre les ailes de support :

- Faites pivoter le verrou de l'aile (1) vers l'extérieur jusqu'à ce que le loquet (2) se retire de l'encoche (3) située sur le côté du gabarit.
- Rabattez l'aile de support (I) en position horizontale.

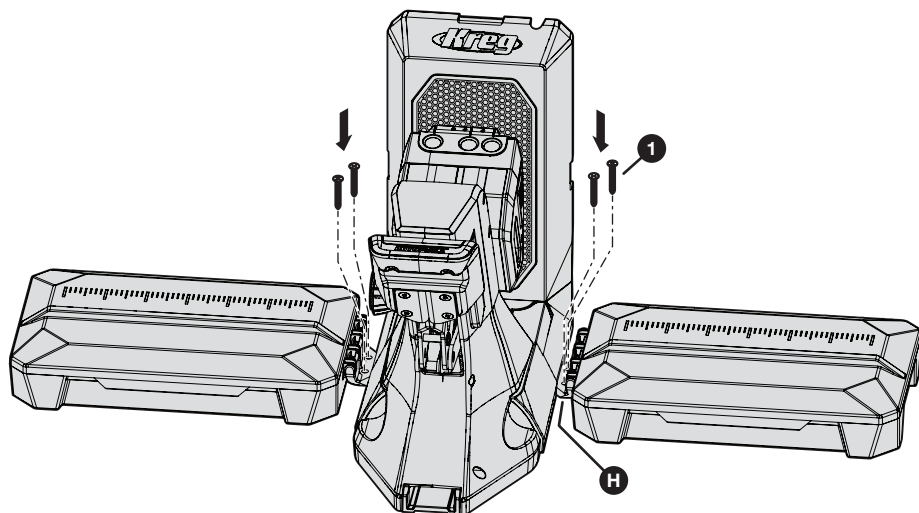
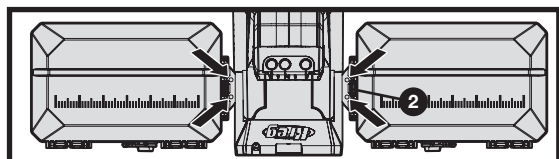


3 Optionnel : Fixez les adaptateurs de station sur une surface de travail

Si vous le souhaitez, vous pouvez fixer les adaptateurs de la station sur votre surface de travail pour plus de stabilité.

- Placez la station d'accueil (avec le gabarit série 700 y étant attaché) dans la position souhaitée sur votre établi.
- Enfoncez une vis pour perçage à angle Kreg (1) dans chacun des quatre trous de fixation (2) des adaptateurs de station (H).

Remarque Vous pouvez utiliser des vis Kreg SML-C125 ou toute autre vis de perçage à angle Kreg.



4 Assemblage de la base d'arrêt réglable

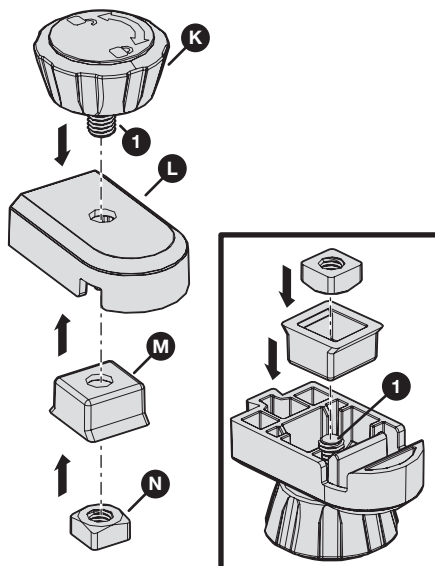
La station d'accueil comprend un arrêt réglable qui peut être fixé à l'une ou l'autre des ailes de support. L'arrêt réglable permet d'obtenir facilement des résultats uniformes lorsque vous avez de nombreuses pièces qui nécessitent le même espacement entre les perçages à angle.

Remarque L'arrêt réglable est composé de deux parties : la base d'arrêt réglable, que vous assemblerez durant cette étape et le bras d'arrêt réglable, qui peut être fixé à la base d'arrêt réglable selon différentes configurations (consultez l'étape 5).

- Insérez la vis (1) du bouton d'arrêt réglable (K) dans le trou situé au-dessus de la base d'arrêt (L).
- En maintenant le bouton (K) en position, tournez la base d'arrêt (L) à l'envers de façon que la vis (1) s'étende vers le haut.
- Faites glisser la cale de la base d'arrêt réglable (M) sur la vis (1) en positionnant le côté bridé vers le haut.

Remarque La cale de la base d'arrêt réglable (M) doit affleurer la base d'arrêt réglable (L). Si ce n'est pas le cas, faites tourner la cale de la base d'arrêt réglable (M) à 90 degrés.

- Placez l'écrou d'arrêt carré réglable (N) sur la vis (1); puis tournez le bouton d'arrêt réglable (K) jusqu'à ce que vous ayez serré à la main l'écrou d'arrêt carré réglable (N).

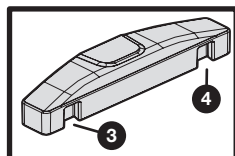
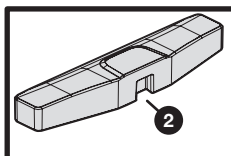
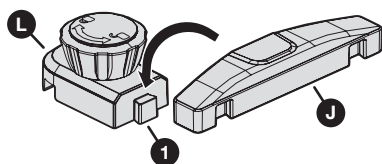


5 Fixation du bras d'arrêt réglable à la base d'arrêt réglable

Faites glisser l'une des encoches du bras d'arrêt réglable (J) vers le bas, sur la languette (1) de la base d'arrêt réglable (L) jusqu'à ce que le bras d'arrêt réglable (J) soit complètement en place sur la languette (1).

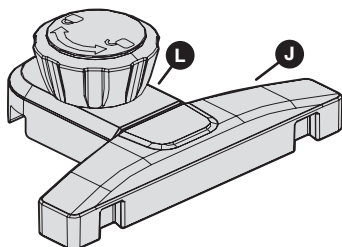
Remarque Le bras d'arrêt réglable (J) comporte trois encoches : une encoche centrale (2) sur un côté et deux encoches extérieures (3, 4) sur le côté opposé. Utilisez l'encoche appropriée en fonction de la configuration que vous souhaitez donner à l'arrêt réglable.

Remarque Pour modifier la configuration de l'arrêt réglable, soulevez le bras d'arrêt réglable (J) de la base d'arrêt réglable (L). Ensuite, faites glisser une autre encoche du bras d'arrêt réglable (J) sur la languette (1) de la base d'arrêt réglable (L).



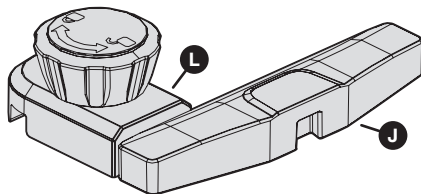
Configuration centrée

Utilisez l'encoche centrale du bras (2)




Configuration latérale

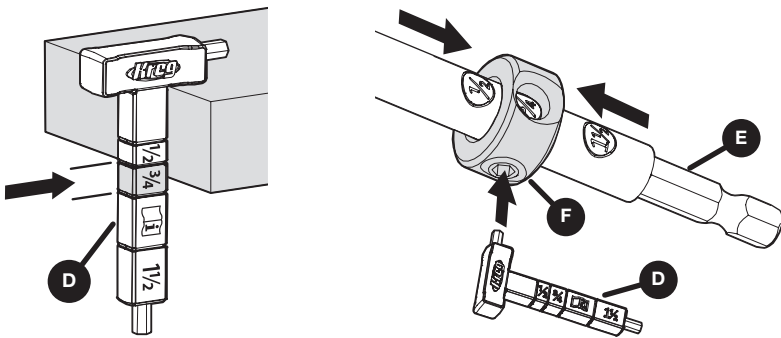
Utilisez l'une des encoches extérieures du bras (3, 4), de sorte que le bras (J) s'étende sur un côté de la base (L)



1 Déterminez l'épaisseur du matériau et fixez la bague d'arrêt

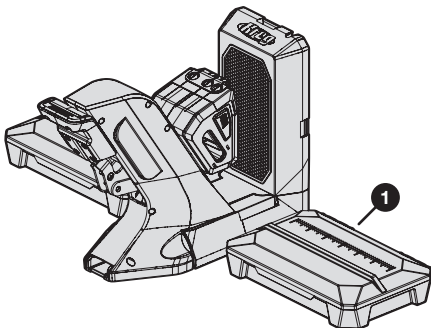
- Utilisez la jauge d'épaisseur de matériau (D) pour déterminer la plage d'épaisseur du matériau.
- Positionnez la bague d'arrêt (F) en la plaçant sur la mèche de forage (E) et en alignant la fenêtre de la bague d'arrêt (F) avec la plage d'épaisseur de mesure déterminée dans l'étape a.
- Utilisez la clé hexagonale intégrée dans la jauge d'épaisseur du matériau (D) pour fixer la bague d'arrêt (F) en place sur la mèche (E).

Remarque Si l'épaisseur de votre matériau tombe dans la plage , utilisez les mêmes techniques de montage que pour la plage de 3/4 po (19 mm) avec une vis de 1 1/2 po (38 mm).

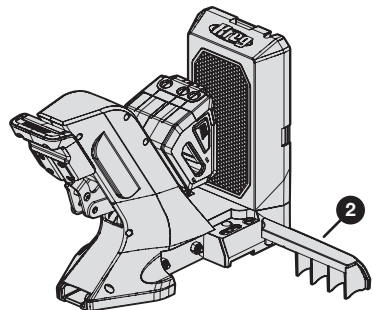


2 Si nécessaire : Stabilisez le gabarit

- **Si vous utilisez la station d'accueil :** Rabattez les deux ailes de support en position horizontale (1).
- **Si vous n'utilisez pas la station d'accueil :** Vous pouvez, si vous le souhaitez, faire pivoter l'une ou les deux rallonges de palette (2) du gabarit par rapport à la base du gabarit pour lui donner une stabilité supplémentaire.



Avec station d'accueil : Ailes de support rabattues



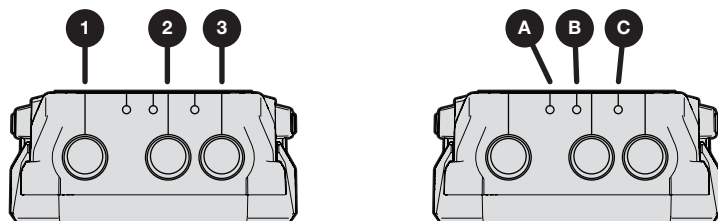
Sans station d'accueil : Rallonges de palette retournées

3 Positionnez votre pièce de travail

a. Placez votre pièce dans le gabarit et utilisez le guide de perçage pour l'aligner.

Remarque Il existe deux méthodes alternatives pour aligner votre gabarit Kreg avec votre pièce :

- Alignez la ligne centrale d'un gabarit de perçage à angle (numéros 1, 2 ou 3) avec l'emplacement souhaité sur votre pièce. Pour les panneaux plus larges (plus de 3 1/2 po (89 mm) de largeur), des trous en angle doivent être placés à 5/8 po (16 mm) et à 1 1/2 po (38 mm) de chaque bord de la pièce, puis tous les 6 à 8 po (152 à 203 mm).
- Utilisez les marques de centrage de la planche (lettres A, B ou C) pour centrer deux trous en angle sur la pièce de travail dont la largeur varie de 1 1/4 po (312 mm) à 3 1/2 po (89 mm). Voir le tableau ci-dessous pour plus de détails sur chaque plage de taille.



Largeur de la planche	Marque centrale	Guide-foret
1 1/4 po à 1 3/4 po (32 mm à 45 mm)	C	2 et 3
1 3/4 po à 2 3/8 po (45 mm à 60 mm)	A	1 et 2
2 3/8 po à 3 1/2 po (60 mm à 89 mm)	B	1 et 3

b. Lorsque vous êtes satisfait de la position de la pièce dans le gabarit, passez à l'étape 4.

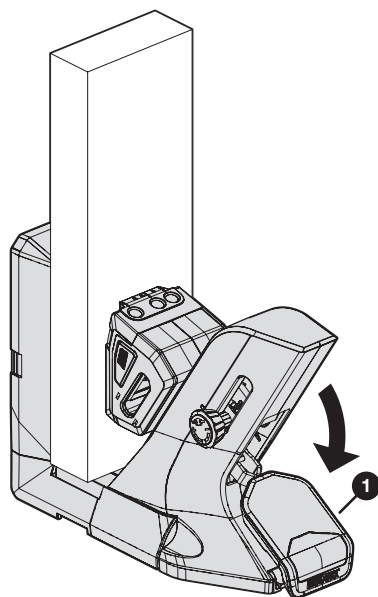
4 Fixez votre pièce de travail

- a. Appuyez sur la poignée du gabarit (1) d'un mouvement fluide jusqu'à ce qu'elle ait traversé sa limite de distance.

Remarque Si vous avez de la difficulté à pousser la poignée du gabarit (1) jusqu'à sa limite de distance, diminuez* la pression de serrage.

- b. Vérifiez si votre pièce est bien maintenue dans le gabarit; augmentez* la pression de serrage, si nécessaire.

Remarque Augmentez la pression de serrage si la pince ne maintient pas la pièce aussi solidement que vous le souhaitez, si vous constatez un mouvement de la pièce ou si vous utilisez un guide-foret.



* Consultez la section **Pression de serrage ajustable** à la page 26.

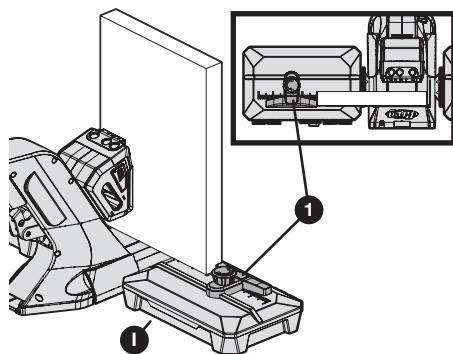
5 Optionnel : Mettre en place l'arrêt réglable

Remarque L'arrêt réglable vous permet de percer des trous à angle sur des pièces similaires à un rythme plus rapide. L'arrêt réglable est un accessoire qui est inclus avec la station d'accueil. Si vous n'utilisez pas la station d'accueil, passez cette étape et continuez à l'étape 6.

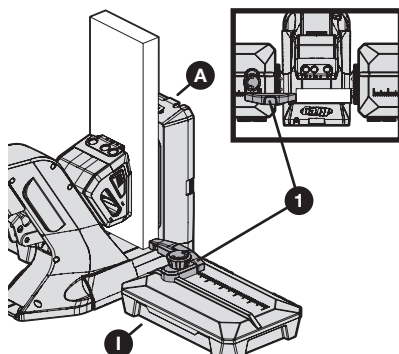
- a. Si nécessaire, modifiez la configuration de l'arrêt réglable pour tenir compte de la taille et de l'orientation de votre pièce dans le gabarit :
- **Pièce de travail large** : si la pièce est suffisamment large pour s'étendre sur le dessus d'une aile de support (I), utilisez l'arrêt réglable (1) dans sa configuration *centrée*.
 - **Pièce de travail étroite** : si la pièce ne s'étend pas à travers l'espace entre le gabarit et l'aile de support (I), utilisez l'arrêt réglable (1) dans sa configuration *latérale*.

Remarque Pour une configuration latérale, utilisez l'encoche extérieure du bras d'arrêt réglable, celle qui sera la plus éloignée du gabarit après avoir placé l'arrêt réglable (1) sur une aile de support (I).

Remarque Pour obtenir des instructions sur les modifications pouvant être faites à la configuration, voir la section **Fixation du bras d'arrêt réglable à la base d'arrêt réglable** à la page 33.

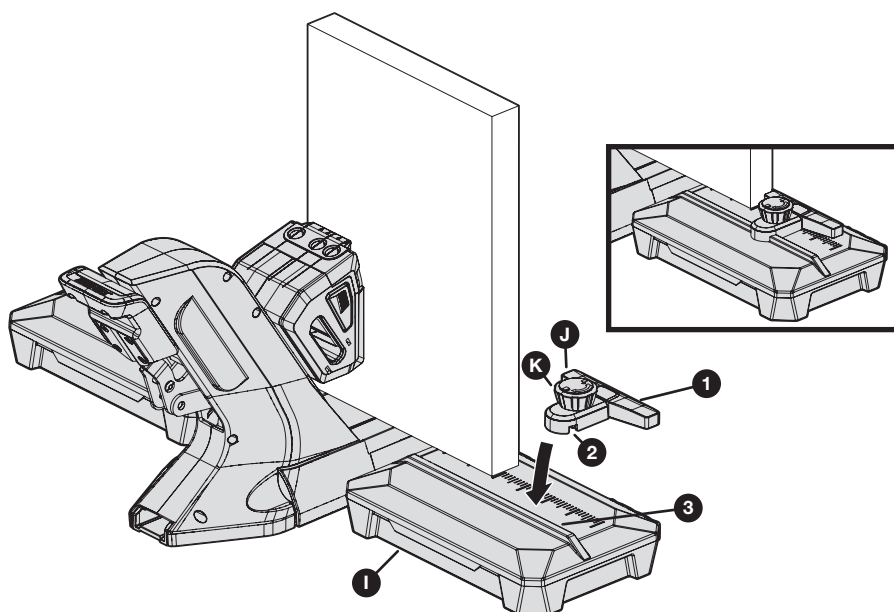


Arrêt réglable (1) en configuration centrée pour les pièces larges



Arrêt réglable (1) en configuration latérale pour les pièces étroites

- b. Placez l'arrêt réglable (1) sur le couvercle d'une aile de support (l) de manière à ce que :
- Le bord du bras d'arrêt réglable (J) repose bien contre la pièce.
 - L'encoche (2) sur la face inférieure de la base d'arrêt réglable s'adapte sur le rail (3) qui traverse le couvercle de l'aile de support (l).
- c. Tournez le bouton d'arrêt réglable (K) dans le sens des aiguilles d'une montre jusqu'à ce qu'il soit bien serré pour fixer l'arrêt réglable (1) en position.

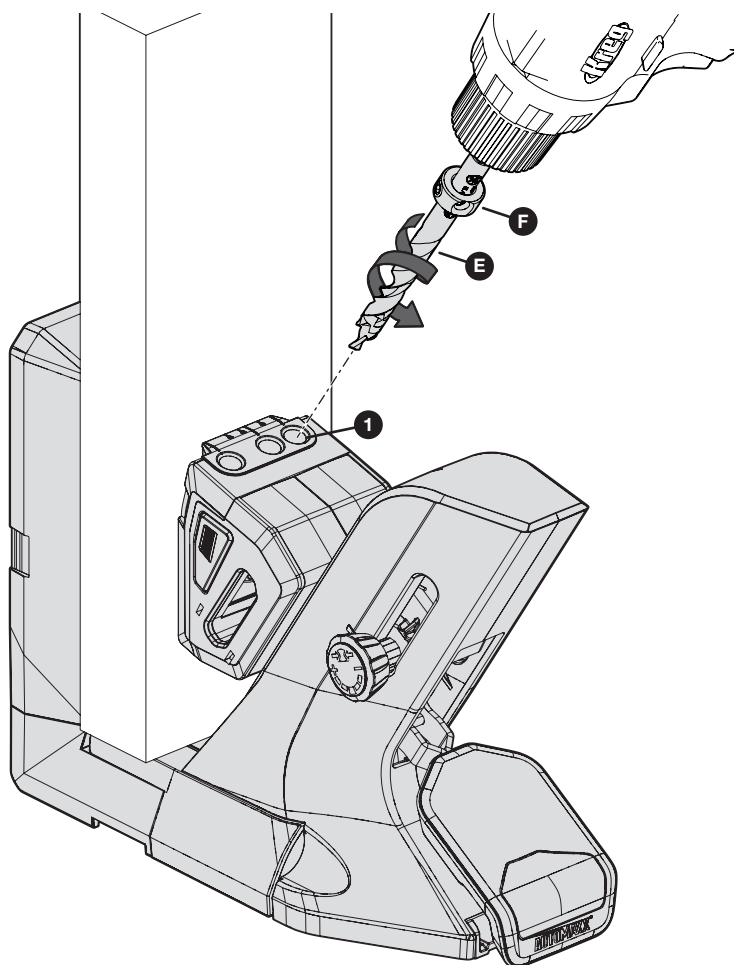


Remarque Pour repositionner ou retirer l'arrêt réglable (1), tournez le bouton d'arrêt réglable (K) dans le sens inverse des aiguilles d'une montre pour le desserrer. Ensuite, faites glisser l'arrêt réglable (1) vers une nouvelle position le long du rail (3) ou soulevez-la de l'aile de support (l).

6 Perçage à angle

AVERTISSEMENT Lors du perçage, il faut toujours s'assurer que la pièce est bien serrée et que la poignée du gabarit est enfoncée jusqu'à sa limite.


- Placez votre mèche préparée (E) avec la bague d'arrêt (F) dans votre perceuse.
- Insérez votre mèche (E) dans le guide-foret (1) et mettez votre perceuse en marche avant de toucher la pièce pour vous assurer que la mèche tourne correctement.
- Percez jusqu'à ce que la bague d'arrêt (F) cesse d'aller plus profond en raison du contact entre la bague d'arrêt (F) et le guide-foret (1). Retirez la mèche (E) du guide-foret (1) pendant que la mèche est encore en rotation.
- Lorsque vous avez fini de percer le ou les trous en angle, soulevez la poignée du gabarit pour relâcher la pression de serrage; puis retirez votre pièce.




Fonctionnement – Perçage et utilisation des vis pour perçage à angle

Pour obtenir des résultats optimaux, suivez ces directives lorsque vous percez et vissez des vis pour perçage à angle :

- Utilisez la bonne taille de vis selon ce tableau :

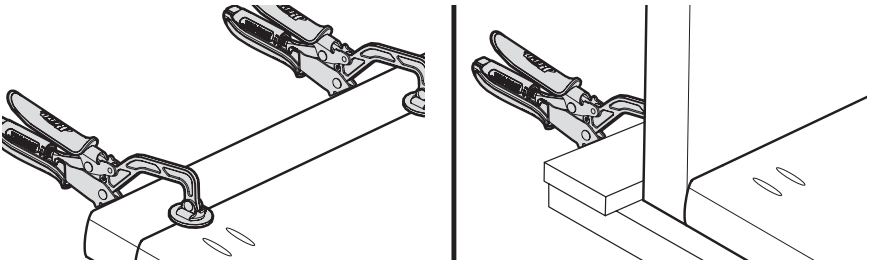
Épaisseur de matériau calibrée	Baguette d'arrêt à réglage facile	Réglage de l'épaisseur des matériaux	Longueur de la vis
Plage 1/2	1/2	Automatique	1 po (25 mm)*
Plage 3/4	3/4		1 1/4 po (32 mm)
	3/4		1 1/2 po (38 mm)
Plage 1 1/2	1 1/2		2 1/2 po (64 mm)

* Une vis de 1 po (25 mm) est recommandée pour la plupart des applications, mais si votre pièce se situe dans le bas de la plage, une vis de 3/4 po (19 mm) peut être nécessaire pour empêcher la pointe de la vis de dépasser.

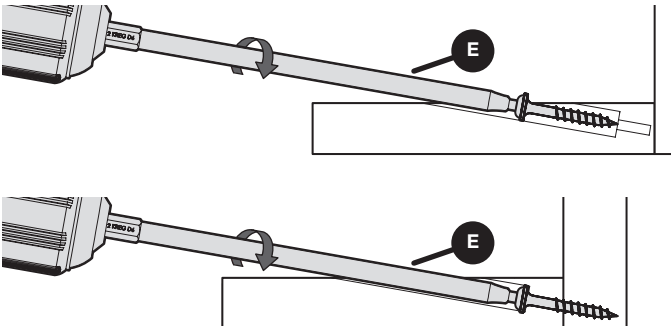
Remarque Si l'épaisseur de votre matériau tombe dans la plage , utilisez les mêmes techniques de montage que pour la plage de 3/4 po (19 mm) avec une vis de 1 1/2 po (38 mm). Pour obtenir plus de renseignements sur la sélection des vis, consultez le site www.Kregtool.com/Screws ou scannez simplement le code QR figurant sur le côté de votre échantillon de vis.

- Serrez les joints en place pour assurer une meilleure finition. Ces exemples montrent les joints des faces et des bords.

AVERTISSEMENT Lors du perçage, assurez-vous toujours que la pièce de travail est solidement ancrée en place.



- Placez votre vis sur l'embout du tournevis (E), placez la vis dans le trou en angle et enfoncez la vis jusqu'à ce qu'elle soit bien en place, sans forcer.



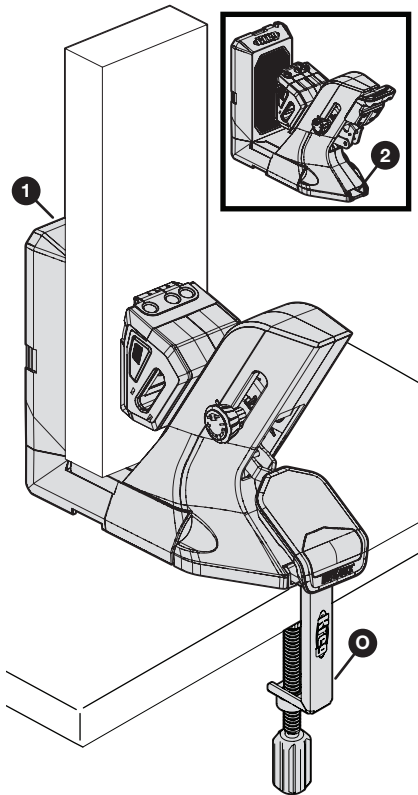
Utilisation de votre gabarit Kreg

Votre gabarit Kreg a été conçu pour fonctionner dans une orientation verticale ou horizontale afin de s'adapter à votre pièce.

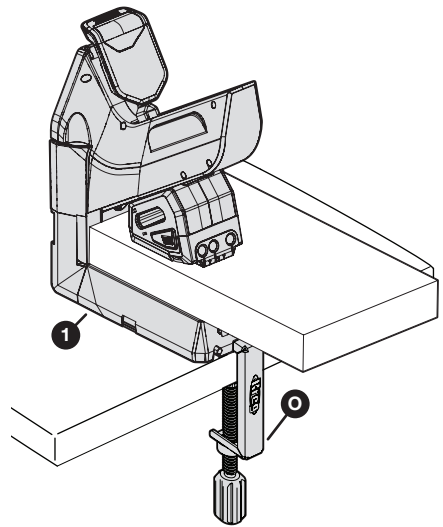
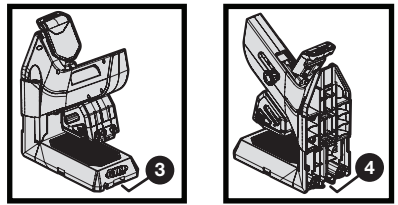
Pour passer d'une orientation à l'autre, il suffit de faire pivoter le gabarit à 90 degrés.

Dans les deux cas, vous pouvez utiliser le serre-joint pour perçage à angle (O) pour fixer le gabarit en place sur votre établi.

Orientation	Description	Options de position de serrage
Vertical	Le côté de rangement des outils (1) est vertical	Une position de serrage disponible (2)
Horizontal	La face de rangement des outils (1) est orientée vers le bas	Deux positions de serrage disponibles (3, 4)



Vertical



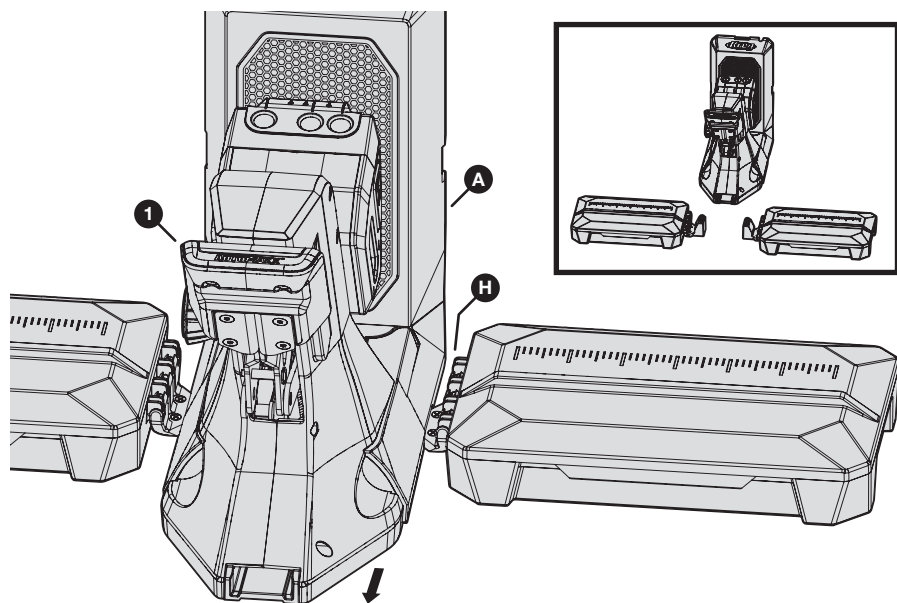
Horizontal

Retrait du gabarit de la station d'accueil

Si vous utilisez le gabarit série 700 avec la station d'accueil optionnelle, vous pouvez retirer le gabarit de la station d'accueil à tout moment.

Retrait d'un gabarit série 700 de Kreg à partir d'une station d'accueil fixée

En alignant la poignée du gabarit (1) vers vous, faites glisser le gabarit vers vous jusqu'à ce que le gabarit (A) se détache des adaptateurs de la station (H). Ensuite, soulevez le gabarit (A) des adaptateurs de la station (H).



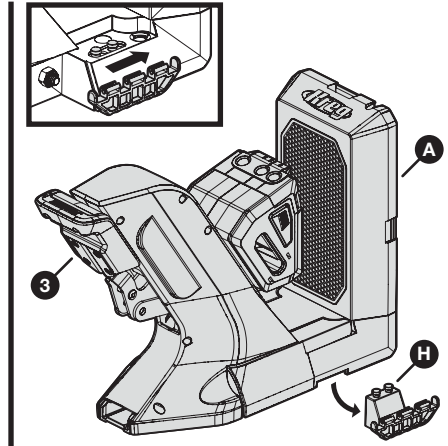
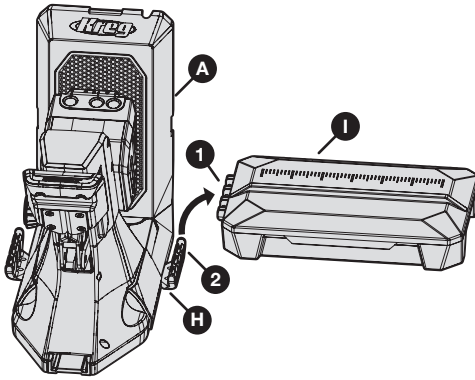
Retrait d'un gabarit série 700 de Kreg à partir d'une station d'accueil qui n'est pas fixée

a. Détachez chaque aile de support (I) :

1. Saisissez l'aile de support (I) près de l'endroit où elle est reliée à l'adaptateur de station (H).
2. Soulevez doucement l'aile de support (I) pour que le connecteur de l'aile de support (1) sorte du connecteur de l'adaptateur de station (2).

b. Pour l'adaptateur de station (H) de chaque côté du gabarit (A) :

1. Soulevez légèrement ce côté du gabarit (A) de la surface de travail.
2. Orientez la poignée du gabarit (3) vers vous, faites glisser l'adaptateur de station (H) pour l'éloigner de vous jusqu'à ce qu'il se dégage de la fente située sous le gabarit (A).
3. Retirez l'adaptateur de station (H) de la face inférieure du gabarit (A).



Maintenance

Appliquez périodiquement une huile légère sur le mécanisme mobile de la poignée.

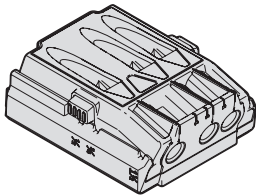
Entretien et nettoyage

Nettoyez périodiquement votre outil en aspirant les copeaux et la poussière de bois.

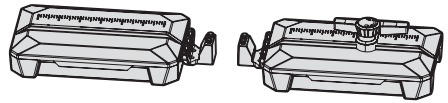
Utilisez un chiffon humide pour essuyer les surfaces antidérapantes SureGrip™ afin d'enlever la poussière et les débris.

Accessoires

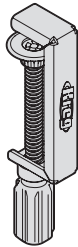
Guide de microforage pour le KPHA730
Kreg



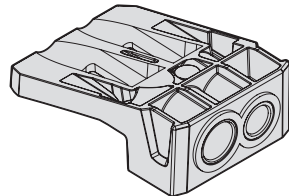
Station d'accueil pour gabarit de perçage
à angle KPHA750



Clampe d'établi
KPHA760
Kreg



Guide de forage pour la coupe de
bouchons KPHA740





EXPLORER. CONSTRUIRE. PARTAGER.

Nous sommes des artisans comme vous.
C'est pourquoi nous aimons voir ce sur quoi vous travaillez.
Montrez-le à la communauté et laissez-vous inspirer!

#madewithKreg

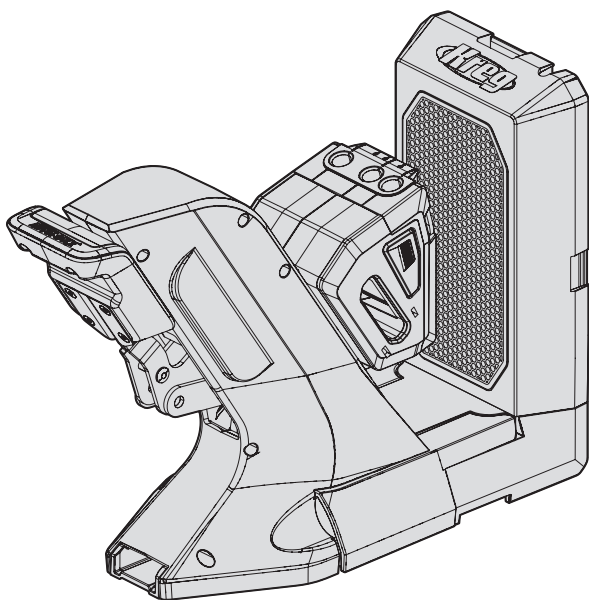
Obtenez des plans gratuits, des ressources pour vos projets et plus encore.
kregtool.com et buildsomething.com

MANUAL DEL PROPIETARIO



Guía para agujeros ocultos Kreg Serie 700

El manual aplica a todas las guías para agujeros ocultos Kreg Serie 700



ADVERTENCIA Todos los usuarios deben leer y seguir las instrucciones y precauciones de seguridad de este manual. De lo contrario, podrían producirse lesiones graves. Guarde el manual para referencia futura.

Estamos aquí para ayudar.

Queremos que tenga una experiencia excepcional en la construcción de proyectos.

Póngase en contacto con nosotros si tiene preguntas o necesita ayuda.

1-800-447-8638 | technicalsupport@kregtool.com

Cuéntenos su experiencia.

Su opinión es importante. Y siempre estamos buscando formas para mejorar.

Comparta sus comentarios para que podamos seguir creciendo e innovando para usted.

www.kregtool.com/feedback

Índice

Precauciones de seguridad	46	Funcionamiento: Taladrar y pasar tornillos para agujeros ocultos . . .	61
Preensamblaje	47	Usar la guía Kreg	62
Descripción del producto	47	Quitar la guía de la estación de encastre	63
Almacenamiento de herramientas integrado	48	Quitar una guía Kreg Serie 700 de una estación de encastre montada . .	63
Presión de la abrazadera ajustable	48	Quitar una guía Kreg Serie 700 de una estación de encastre sin montar .	64
Alas de extensión	49	Mantenimiento	65
Opción de montaje	49	Cuidado y limpieza	65
Accesorios de recolección de polvo	50	Accesorios	65
Ensamblaje de la estación de encastre	51		
Funcionamiento: Taladrar agujeros ocultos	56		

Precauciones de seguridad

ADVERTENCIA Antes de usar una herramienta eléctrica con este producto, lea y siga las instrucciones y precauciones de seguridad del fabricante de la herramienta además de las precauciones de seguridad que se muestran a continuación para reducir el riesgo de lesiones graves por peligros tales como incendios, descargas eléctricas o una broca giratoria.

- Siempre use el equipo de protección personal recomendado por el fabricante de la herramienta eléctrica que esté utilizando, como protección ocular, auditiva o respiratoria.
- La broca es filosa. Manipúlela con cuidado.
- No permita que la familiaridad obtenida del uso frecuente de sus herramientas reemplace las prácticas de seguridad laboral. Un momento de descuido es suficiente para causar lesiones graves.
- Evite las posiciones incómodas de las manos donde un deslizamiento repentino podría causar contacto con la broca giratoria.
- Cuando taladre, asegúrese siempre de que la pieza de trabajo esté bien sujeta. Es peligroso sostener la pieza de trabajo con la mano.

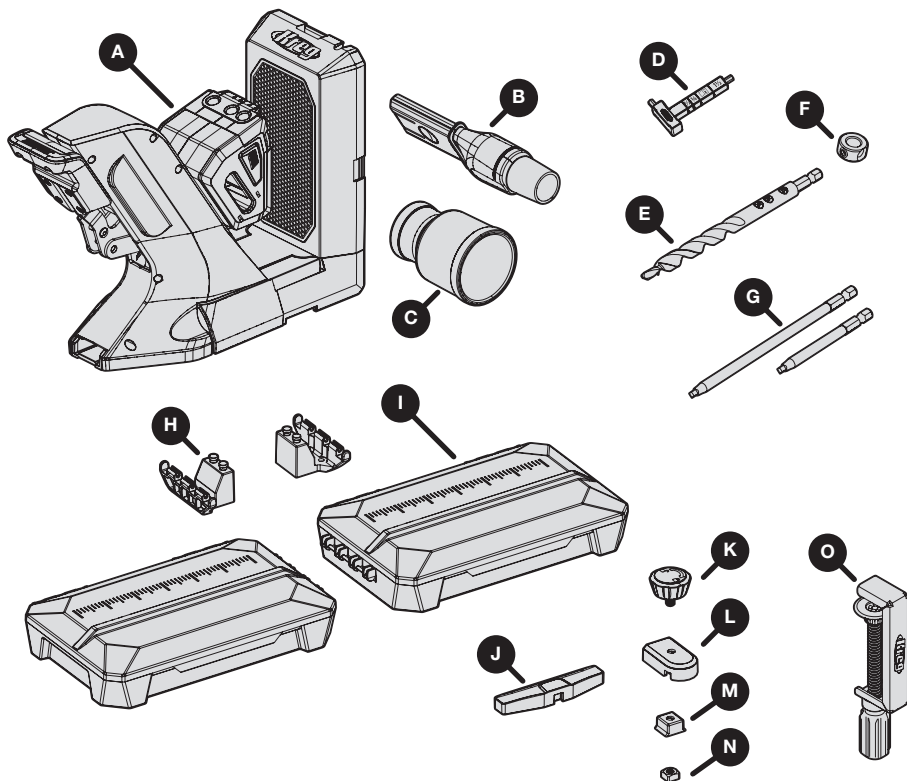
ADVERTENCIA No opere esta herramienta ni ninguna maquinaria bajo la influencia de drogas, alcohol o medicamentos.

ADVERTENCIA Este producto podría exponerlo a productos químicos, incluidos el acrilonitrilo y otros compuestos químicos, que el estado de California conoce como causantes del cáncer y daños reproductivos. Para obtener más información, visite www.P65Warnings.ca.gov.

Preensamblaje

Revise esta sección antes de comenzar. Asegúrese de tener todas las herramientas y materiales a mano. Verifique el contenido con los artículos enumerados en la sección Descripción del producto. Si falta algún artículo o está extraviado, no use este producto. Póngase en contacto con el Soporte técnico o devuelva el producto al lugar de compra.

Descripción del producto



Pieza	Descripción
A	Guía KPHJ720
B	Hoja de recolección de polvo
C	Adaptador de polvo
D	Regla de grosor del material/Llave hexagonal
E	Broca para agujeros ocultos de fácil colocación
F	Collarín de fácil colocación
G	Puntas de destornillador (3" y 6")

Pieza	Descripción
H ¹	Adaptadores de encastrado para KPHJ720 (2)
I ¹	Alas de soporte del material (2)
J ¹	Brazo del retén ajustable
K ¹	Perilla del retén ajustable
L ¹	Base del retén ajustable
M ¹	Calce de la base del retén ajustable
N ¹	Tuerca cuadrada del retén ajustable
O ¹	Abrazadera de guía para agujeros ocultos KPHA760

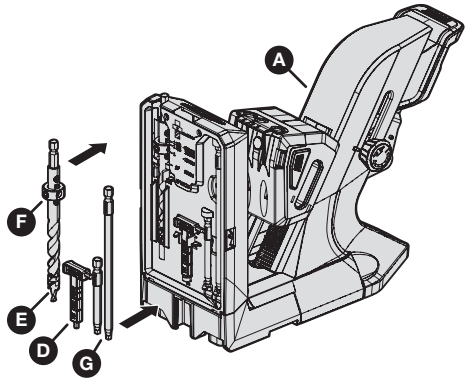
¹ Estas piezas de la estación de encastrado para guía para agujeros ocultos KPHA750 están incluidas en el paquete KPHJ720PRO.

Nota El producto también incluye dos paquetes de tornillos de muestra (no ilustrados).

Almacenamiento de herramientas integrado

La guía KPHJ720 (A) incluye almacenamiento integrado para estos artículos:

- Broca para agujeros ocultos de fácil colocación (E) con collarín de fácil colocación (F) integrado
- Regla de grosor del material/llave hexagonal (D)
- Puntas de destornillador de 3" y 6" (G)

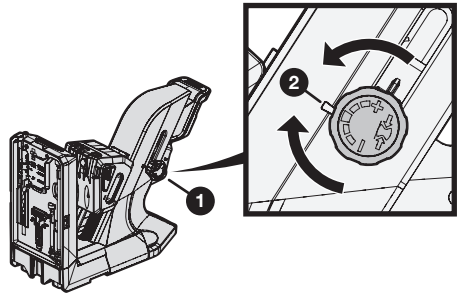


Presión de la abrazadera ajustable

Una perilla (1) del lado de la guía KPHJ720 le permite aumentar o reducir la presión de la abrazadera que se aplica a la pieza de trabajo. Hay cinco ajustes de presión disponibles. La guía se envía desde la fábrica con la presión de la abrazadera en el ajuste medio.

Para ajustar la presión de la abrazadera:

- Levante la manija de la guía hacia arriba completamente para liberar la presión de la abrazadera.
- Gire la perilla de ajuste de presión de la abrazadera (1) un clic en la dirección deseada:
 - En sentido horario se reduce la presión
 - En sentido antihorario se aumenta la presión
- Coloque un bloque de prueba, vuelva a aplicar presión sobre la abrazadera llevando la manija de la guía hacia abajo con un movimiento suave hasta que llegue al límite del recorrido.
- Repita este proceso según sea necesario hasta que esté satisfecho con la presión de la abrazadera.



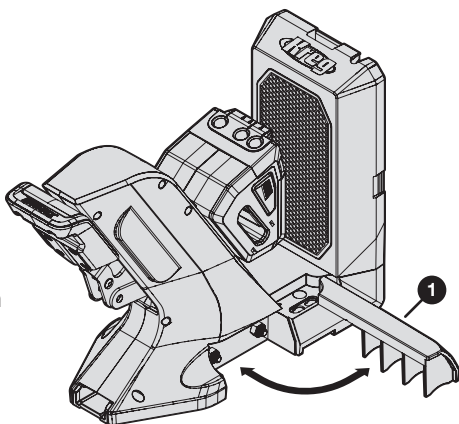
Nota

- La guía se establece a la presión mínima de la abrazadera cuando el símbolo de "menos" en la perilla de ajuste de la presión de la abrazadera (1) está alineado con la marca de selección (2).
- La guía se establece a la presión máxima de la abrazadera cuando el símbolo de "más" en la perilla de ajuste de la presión de la abrazadera (1) está alineado con la marca de selección (2).

Alas de extensión

La guía KPHJ720 tiene dos alas de extensión, una (1) de cada lado de la base de la guía. Puede rotar una o ambas alas 90 grados para proporcionar mayor estabilidad y soporte del material.

Nota Si usa la estación de encastre opcional con la guía, usará las alas de soporte del material de la estación de encastre en lugar de las alas de extensión aquí ilustradas. Consulte **Ensamblaje de la estación de encastre** en la página 51.



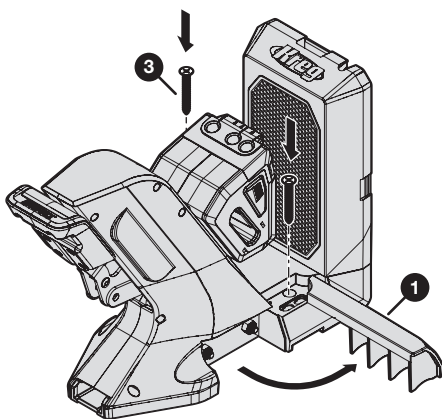
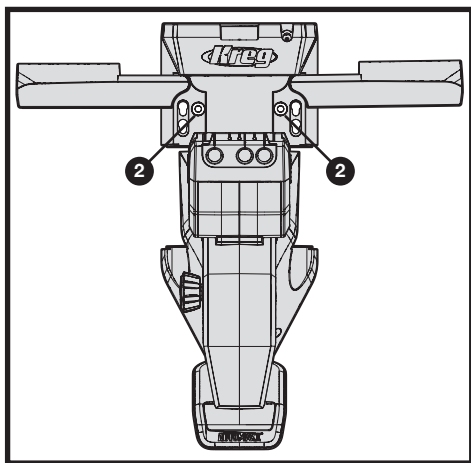
Opción de montaje

Si lo desea, puede montar la guía KPHJ720 a su superficie de trabajo para ofrecer una mayor estabilidad.

Nota Estas instrucciones aplican a una guía que se usa *sin* la estación de encastre opcional.

- Coloque la guía en la posición deseada en la mesa de trabajo.
- Rote el ala de extensión (1) de cada lado de la guía a 90 grados.
Ahora hay dos orificios de montaje (2) accesibles (un orificio de cada lado de la guía).
- Pase un tornillo para agujeros ocultos Kreg (3) a través de cada orificio de montaje (2).

Nota Puede usar tornillos Kreg SML-C125 o cualquier otro tornillo para agujeros ocultos Kreg.



Accesorios de recolección de polvo

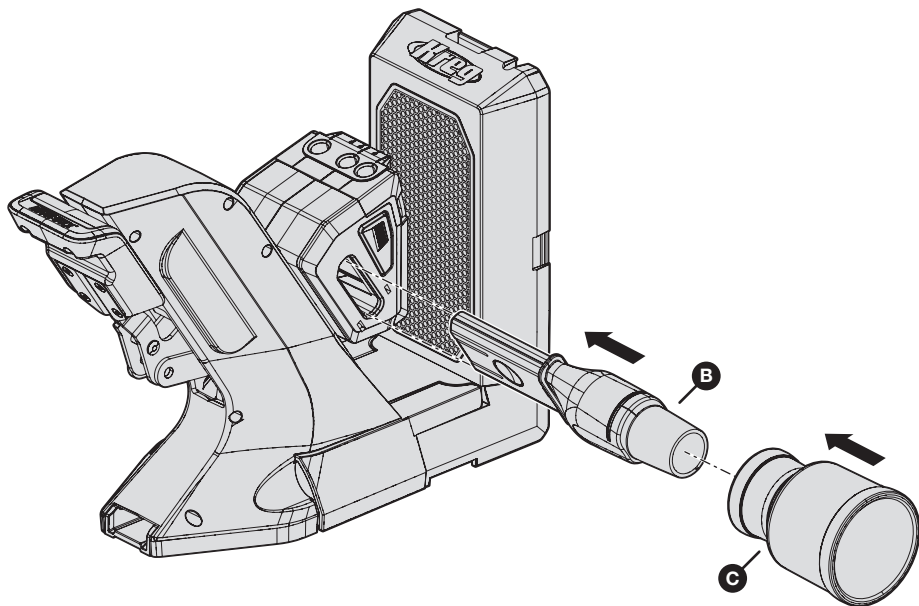
Puede usar los accesorios de recolección de polvo proporcionados para recoger el polvo mientras taladra.

Para fijar los accesorios de recolección de polvo:

- Si es necesario para el diámetro de la manguera que está usando, fije el adaptador de polvo (C) al extremo ancho de la hoja de recolección de polvo (B).

Diámetro de la manguera	¿Requiere un adaptador de polvo?
1-1/4"	No
1-7/8"	No
2-1/2"	Sí

- Inserte el extremo estrecho de la hoja de recolección de polvo (B) en el lado derecho o izquierdo de la guía.



Nota Puede dejar la hoja de recolección de polvo y el adaptador de polvo fijos a la guía cuando no está usando la guía.

Ensamblaje de la estación de encastre

Esta sección describe cómo ensamblar la estación de encastre que se incluye con el paquete KPHJ720PRO. También puede comprar la estación de encastre por separado (consulte **Accesorios** en la página 65).

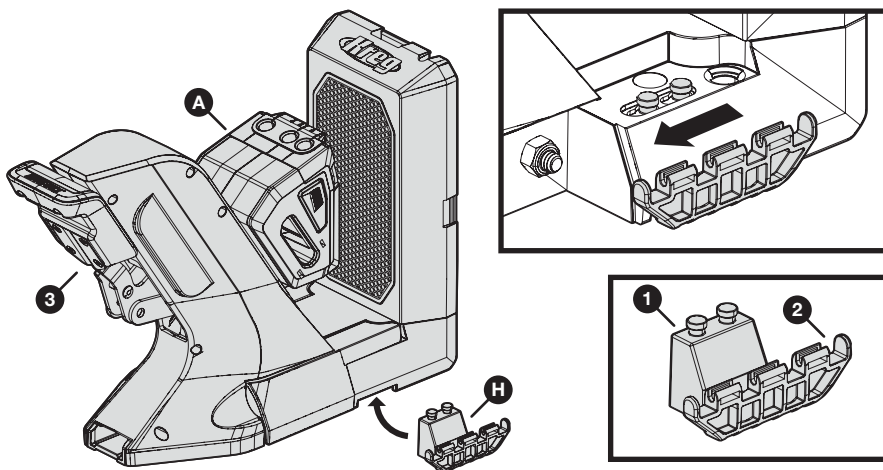
Nota Si no está usando la estación de encastre, omita esta sección y continúe con **Funcionamiento: Taladrar agujeros ocultos** en la página 56.

1 Conecte los adaptadores de encastre a la guía

- Coloque la guía KPHJ720 (A) sobre una superficie plana.
- Con una mano, levante ligeramente un lado de la guía (A).
- Con la otra mano, coloque un adaptador de encastre (H) debajo de la guía (A) de modo que los pasadores de fijación (1) encajen en el orificio correspondiente en el lado inferior de la guía (A); luego deslice el adaptador de encastre (H) hacia la manija de la guía (3) para trabar el adaptador del encastre (H) en posición.

Nota Un lado de los adaptadores de encastre (H) tiene pasadores de fijación (1) que encajan por debajo de la guía; el otro lado tiene un conector (2) para un ala de soporte del material (no ilustrado). Asegúrese de que el lado del conector del ala (2) del adaptador de encastre (H) se extienda por el lado de la guía (A).

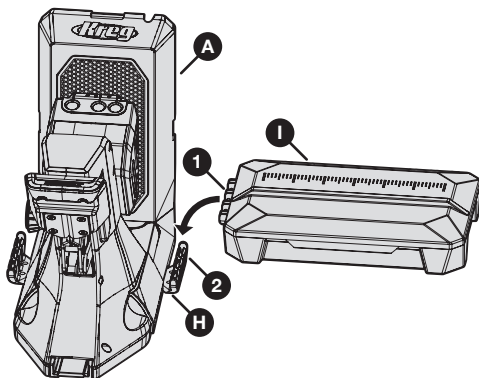
- Repita los pasos b y c para conectar el otro adaptador de encastre (H) en el lado opuesto de la guía (A).



2 Conectar las alas de soporte del material a los adaptadores de encastre

Consejo Las alas de soporte del material también sirven como cajas de almacenamiento.

- Sostenga un ala de soporte del material (I) con el lado derecho hacia arriba (de modo que la tapa de la caja de almacenamiento esté orientada hacia arriba y abra en dirección opuesta a usted).
- Alinee el conector (1) en el lado del ala de soporte del material (I) con el conector (2) en el adaptador de encastre (H) que se extiende del lado de la guía (A); luego presione el ala de soporte del material (I) hacia abajo con firmeza de modo que los conectores encastran.



Nota Las barras del conector de ala de soporte del material (1) encastran en las ranuras del conector del adaptador de encastre (2).

- Repita estos pasos para conectar la otra ala de soporte del material (I) al adaptador de encastre (H) en el lado opuesto de la guía (A).

Nota Puede plegar las alas de soporte del material en posición vertical para ahorrar espacio cuando no se está usando la guía, o para facilitar el mover la guía de un lugar a otro. Siempre despliegue las alas de soporte del material antes de usar la guía.

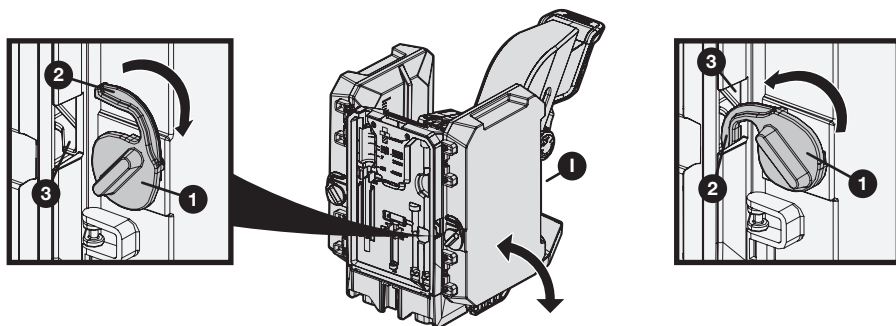
Nota Si usa los accesorios de recolección de polvo (página 50), debe quitarlos de la guía para plegar hacia arriba las alas de soporte del material.

Para plegar hacia arriba las alas de soporte del material:

- Pliegue el ala de soporte del material (I) hacia arriba en posición vertical.
- Rote la traba del ala (1) hacia adentro hasta que el pestillo (2) se encastre bien en la muesca (3) en ese lado de la guía.

Para desplegar las alas de soporte del material:

- Rote la traba de ala (1) hacia afuera hasta que el pestillo (2) se desencastre de la muesca (3) en el lado de la guía.
- Despliegue el ala de soporte del material (I) a la posición horizontal.

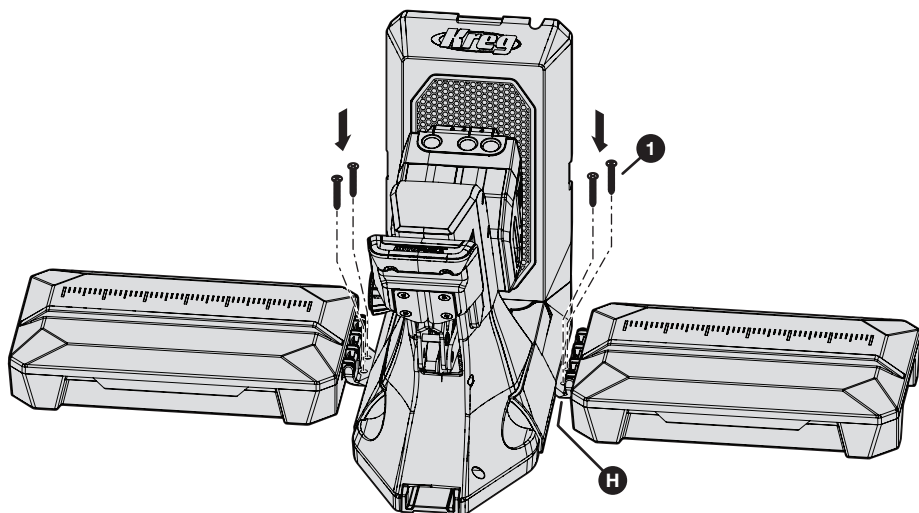
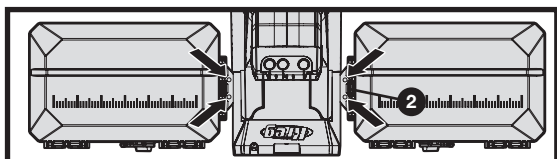


3 Opcional: Monte los adaptadores de encastre a una superficie de trabajo

Si lo desea, puede montar los adaptadores de encastre a su superficie de trabajo para ofrecer una mayor estabilidad.

- Coloque la estación de encastre (con la guía Serie 700 fija) en la posición deseada sobre su mesa de trabajo.
- Inserte un tornillo para agujeros ocultos (1) Kreg a través de los cuatro orificios de montaje (2) en los adaptadores de encastre (H).

Nota Puede usar tornillos Kreg SML-C125 o cualquier otro tornillo para agujeros ocultos Kreg.



4 Ensamblar la base del retén ajustable

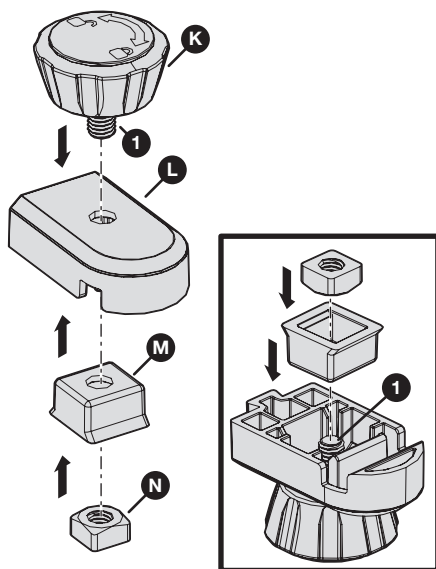
La estación de encastre incluye un retén ajustable que se puede fijar a cualquier ala de soporte del material. El retén ajustable facilita obtener los mismos resultados cuando tiene muchas piezas que requieren el mismo espaciado entre los agujeros ocultos.

Nota El retén ajustable tiene dos piezas: la base del retén ajustable, la cual ensamblará en este paso; y el brazo del retén ajustable, que se puede fijar a la base del retén ajustable en diferentes configuraciones (consulte el paso 5).

- Inserte el tornillo (1) de la perilla del retén ajustable (K) en el orificio encima de la base del retén (L).
- Mientras sostiene la perilla (K) en posición, gire la base del retén (L) boca abajo de modo que el tornillo (1) se extienda hacia arriba.
- Deje caer el calce de la base del retén ajustable (M) por el tornillo (1) con el lado del reborde hacia arriba.

Nota El calce de la base del retén ajustable (M) debe estar a ras de la base del retén ajustable (L). Si no está a ras, gire el calce de la base del retén ajustable (M) 90 grados.

- Coloque la tuerca cuadrada del retén ajustable (N) en el tornillo (1); luego gire la perilla del retén ajustable (K) hasta que la tuerca cuadrada del retén ajustable (N) esté lo más ajustada que se pueda a mano.

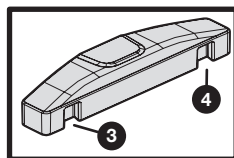
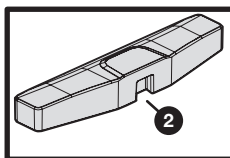
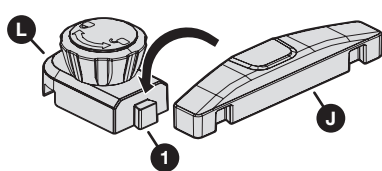


5 Fijar el brazo del retén ajustable a la base del retén ajustable

Deslice una muesca del brazo del retén ajustable (J) hacia abajo por la pestaña (1) en la base del retén ajustable (L) hasta que el brazo del retén ajustable (J) esté bien asentado en la pestaña (1).

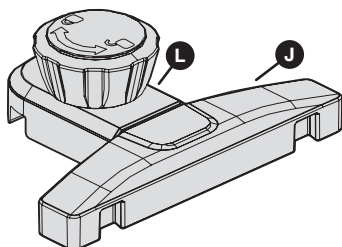
Nota El brazo del retén ajustable (J) tiene tres muescas: una muesca central (2) de un lado y dos muescas exteriores (3, 4) del lado opuesto. Use la muesca adecuada en función de cómo quiere configurar el retén ajustable.

Nota Para cambiar la configuración del retén ajustable, levante el brazo del retén ajustable (J) de la base del retén ajustable (L). Luego deslice otra muesca del brazo del retén ajustable (J) sobre la pestaña (1) en la base del retén ajustable (L).



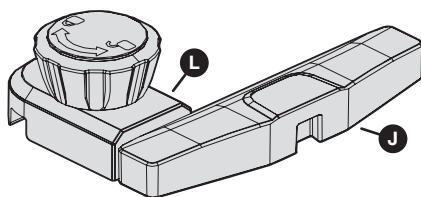
Configuración centrada

Use la muesca central (2) del brazo



Configuración lateral


Use cualquiera de las muescas externas (3, 4) del brazo de modo que el brazo (J) se extienda de un lado de la base (L)

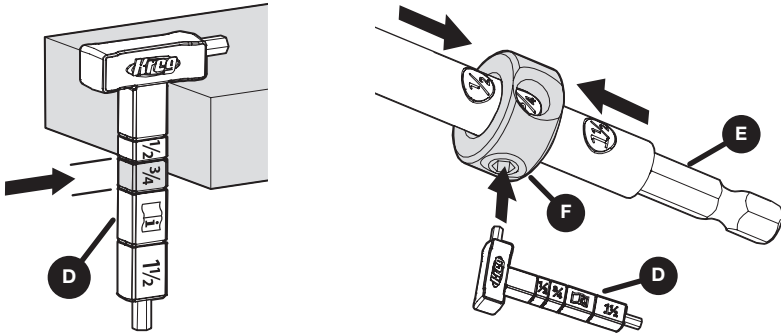


Funcionamiento: Taladrar agujeros ocultos

1 Determinar el grosor del material y colocar el collarín

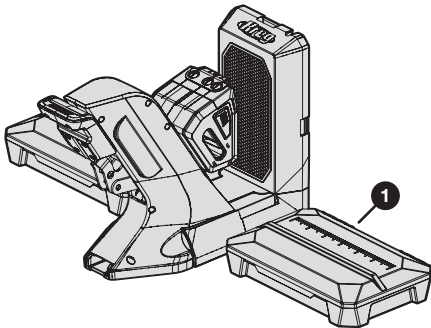
- Use la regla de grosor del material (D) para determinar el rango de grosor del material.
- Coloque el collarín (F) sobre la broca (E) y alinee la ventana del collarín (F) con la medición de rango del grosor determinada en el paso a.
- Use la llave hexagonal integrada en la regla de grosor del material (D) para bloquear el collarín (F) en su lugar sobre la broca (E).

Nota Si el grosor del material cae en el rango de , use las mismas técnicas de configuración que en el rango de 3/4" con un tornillo de 1-1/2".

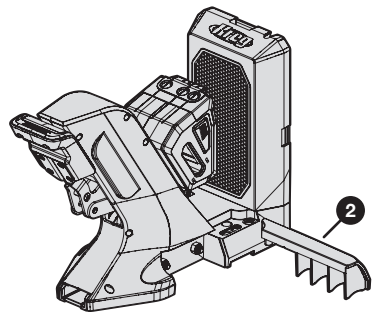


2 Si corresponde: Establezca la guía

- **Si usa la estación de encastre:** Despliegue ambas alas de soporte del material a su posición horizontal (1).
- **Si no usa la estación de encastre:** Puede rotar una o ambas alas de extensión (2) de la guía de la base de la guía para proporcionar estabilidad adicional, de ser necesario.



Con la estación de encastre: Alas de soporte de material desplegadas hacia abajo



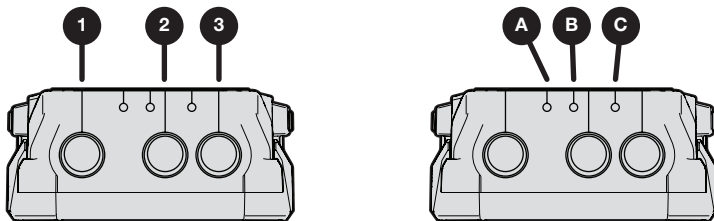
Sin estación de encastre: Alas de extensión rotadas

3 Posicionar la pieza de trabajo

a. Coloque la pieza de trabajo en la guía y use la guía de taladrar para alinearla.

Nota Hay dos métodos alternativos para alinear la guía Kreg con la pieza de trabajo:

- Alinee la línea central de cualquier guía para agujeros ocultos (números 1, 2 o 3) con la ubicación deseada en la pieza de trabajo. Para paneles más anchos (más de 3-1/2" de ancho), los agujeros ocultos se deben colocar entre 5/8" y 1-1/2" desde cada borde de la pieza de trabajo y luego en intervalos de entre 6" y 8".
- Use las marcas de centrado de la tabla (letras A, B o C) para centrar dos agujeros ocultos en la pieza de trabajo en un ancho entre 1-1/4" y 3-1/2". Consulte la tabla a continuación para obtener detalles sobre cada rango de tamaño.



Ancho de tabla	Marca central	Guía de taladrar
1-1/4" a 1-3/4"	C	2 y 3
1-3/4" a 2-3/8"	A	1 y 2
2-3/8" a 3-1/2"	B	1 y 3

b. Cuando esté satisfecho con la posición de la pieza de trabajo en la guía, continúe con el paso 4.

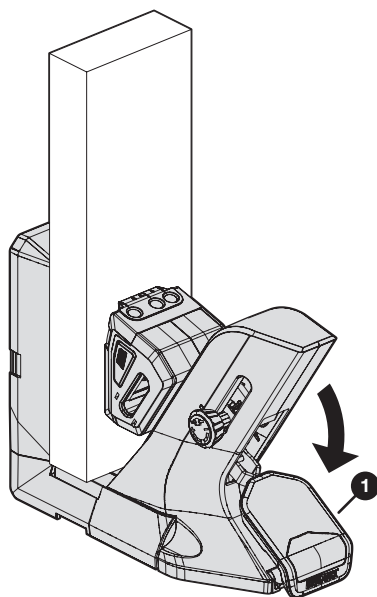
4 Sujetar la pieza de trabajo

- a. Lleve la manija de la guía (1) hacia abajo con un movimiento suave hasta que llegue al límite del recorrido.

Nota Si tiene dificultad para llevar la manija de la guía (1) hasta que llegue al límite del recorrido, reduzca* la presión de la abrazadera.

- b. Verifique si la pieza de trabajo está bien sujeta a la guía; aumente* la presión de la abrazadera, de ser necesario.

Nota Aumente la presión de la abrazadera si esta no sostiene la pieza de trabajo tan seguro como lo desea, si ve movimiento en la pieza de trabajo, o si está usando un accesorio de la guía de taladrar para tapones de madera.



* Consulte **Presión de la abrazadera ajustable** en la página 48.

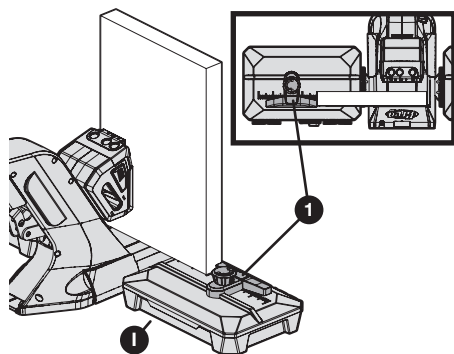
5 Opcional: Configurar el retén ajustable

Nota El retén ajustable le permite taladrar agujeros ocultos en piezas de trabajo similares a un ritmo más rápido. El retén ajustable es un accesorio que se incluye con la estación de encastre. Si no usa la estación de encastre, omita este paso y continúe con el paso 6.

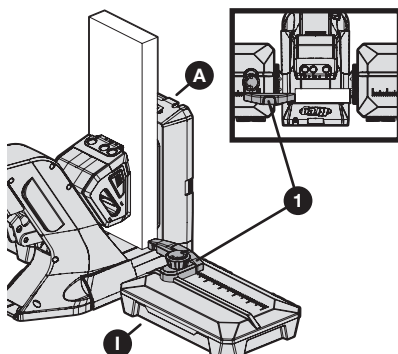
- a. De ser necesario, cambie la configuración del retén ajustable para que se adapte al tamaño y la orientación de la pieza de trabajo en la guía:
- **Pieza de trabajo ancha:** Si la pieza de trabajo es lo suficientemente ancha como para que se extienda por encima de un ala de soporte del material (I), use el retén ajustable (1) en la configuración *centrada*.
 - **Pieza de trabajo estrecha:** Si la pieza de trabajo no se extiende por encima del espacio entre la guía y el ala de soporte del material (I), use el retén ajustable (1) en la configuración *lateral*.

Nota Para una configuración lateral, use cualquiera de las muescas externas en el brazo del retén ajustable que esté más lejos de la guía después de colocar el retén ajustable (1) en un ala de soporte del material (I).

Nota Para ver las instrucciones sobre cómo cambiar la configuración, consulte **Fijar el brazo del retén ajustable a la base del retén ajustable** en la página 55.

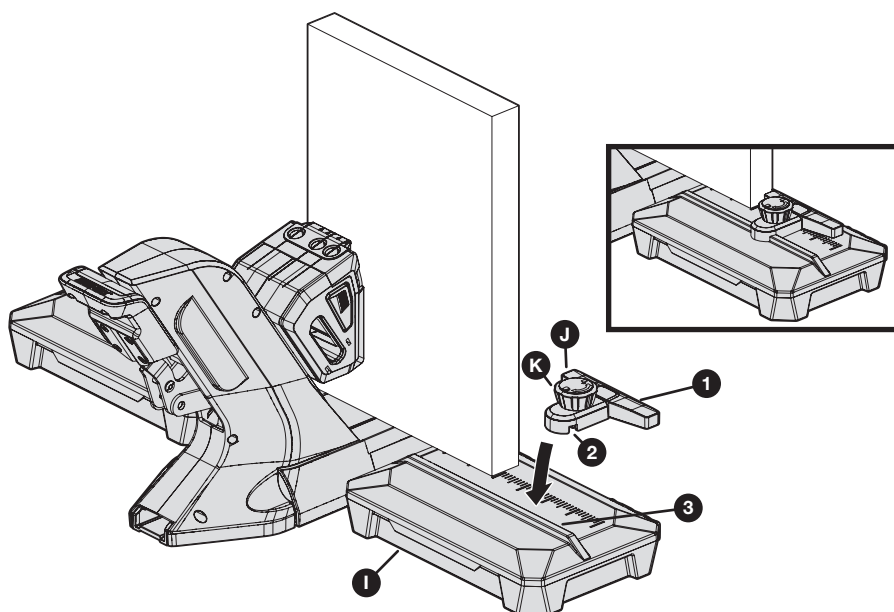


El retén ajustable (1) está en configuración centrada para una pieza de trabajo ancha



El retén ajustable (1) está en configuración lateral para una pieza de trabajo estrecha

- b. Coloque el retén ajustable (1) en la tapa de un ala de soporte del material (l) de modo que:
- El borde del brazo del retén ajustable (J) se apoye bien sobre la pieza de trabajo.
 - La muesca (2) en el lado inferior de la base del retén ajustable encaja sobre el riel (3) que atraviesa la tapa del ala de soporte del material (l).
- c. Gire la perilla del retén ajustable (K) en sentido horario hasta que esté apretado para fijar el retén ajustable (1) en posición.

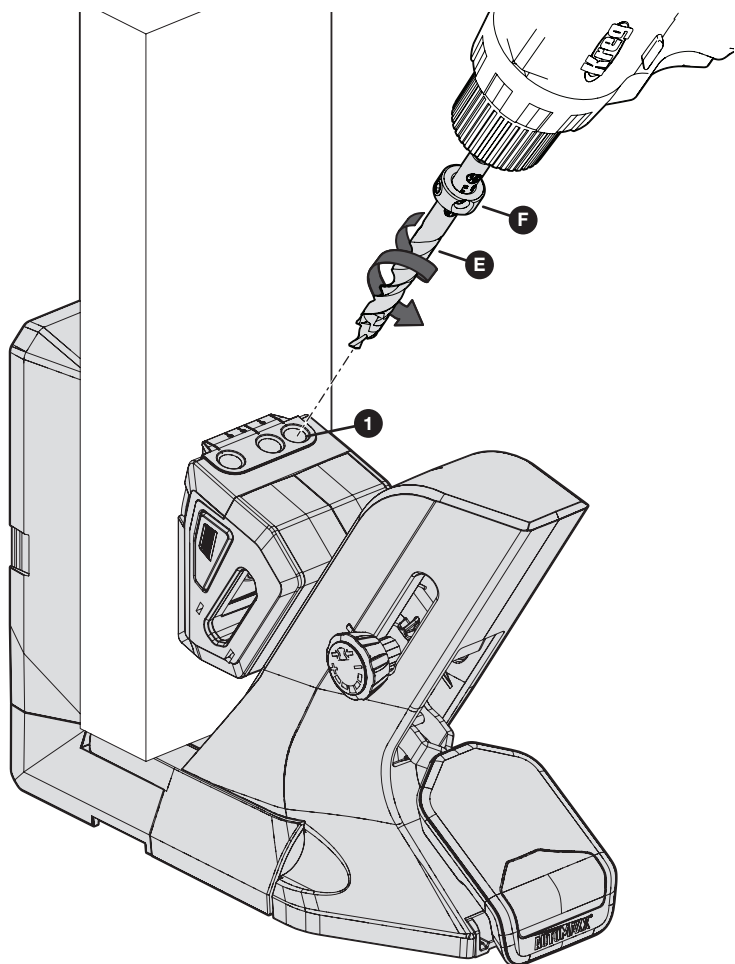


Nota Para mover o quitar el retén ajustable (1), gire la perilla del retén ajustable (K) en sentido antihorario para aflojarlo. Luego deslice el retén ajustable (1) a otra posición sobre el riel (3) o levántelo del ala de soporte del material (l).

6 Taladrar agujeros ocultos

ADVERTENCIA Cuando taladre, siempre asegúrese de que la pieza de trabajo esté bien sujeta y que la manija de la guía esté presionada hacia abajo hasta el límite de su recorrido.


- Coloque la broca (E) preparada con el collarín (F) en el taladro.
- Inserte la broca (E) en la guía de taladrar (1) y lleve el taladro a velocidad de funcionamiento antes que entre en contacto con la pieza de trabajo para garantizar la rotación correcta de la broca.
- Taladre hasta que el collarín (F) evite que siga yendo más profundo por el contacto entre el collarín (F) y la guía de taladrar (1). Quite la broca (E) de la guía de taladrar (1) mientras la broca todavía está girando.
- Cuando termine de taladrar los agujeros ocultos, levante la manija de la guía para liberar la presión de la abrazadera; luego quite la pieza de trabajo.




Funcionamiento: Taladrar y pasar tornillos para agujeros ocultos

Para obtener mejores resultados, siga estas pautas al taladrar y pasar los tornillos para agujeros ocultos:

- Use el tamaño correcto del tornillo conforme a esta tabla:

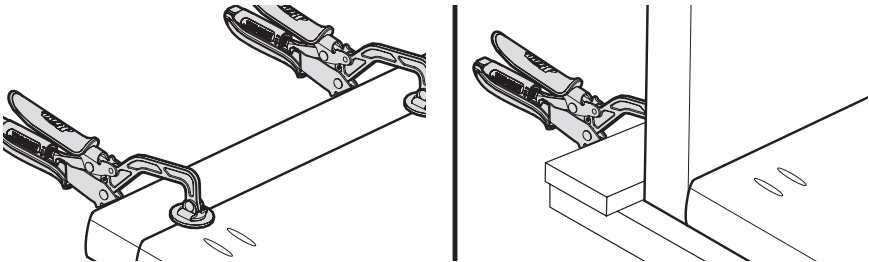
Grosor del material medido	Collarín de fácil colocación	Configuración del grosor del material	Longitud del tornillo
1/2 rango	1/2	Automático	1" (25 mm)*
3/4 rango	3/4		1-1/4" (32 mm)
	3/4		1-1/2" (38 mm)
1-1/2 rango	1 1/2		2-1/2" (64 mm)

* Se recomienda un tornillo de 1" en la mayoría de las aplicaciones, pero si la pieza de trabajo está en el extremo inferior del rango, puede requerirse un tornillo de 3/4" para evitar que sobresalga la punta del tornillo.

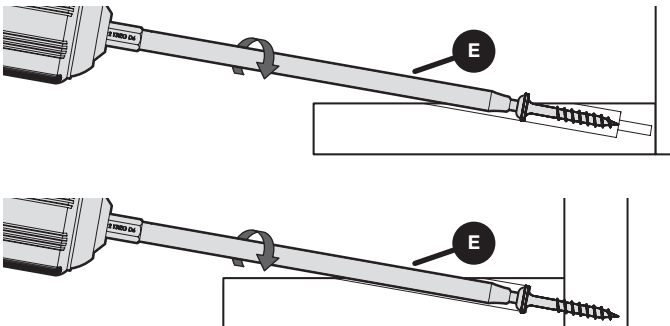
Nota Si el grosor del material cae en el rango de , use las mismas técnicas de configuración que en el rango de 3/4" con un tornillo de 1-1/2". Para obtener más información sobre la selección de los tornillos, ingrese a www.Kregtool.com/Screws o tan solo escanee el código QR en el lateral del paquete de los tornillos de muestra.

- Sujete las uniones en su lugar para garantizar una unión mejor acabada. Estos ejemplos muestran uniones de frente y uniones de bordes.

ADVERTENCIA Cuando taladre, asegúrese siempre de que la pieza de trabajo esté bien sujeta.



- Coloque el tornillo en la punta del destornillador (E), coloque el tornillo en el agujero oculto, y enrosque el tornillo hasta que esté bien asentado sin excederse.



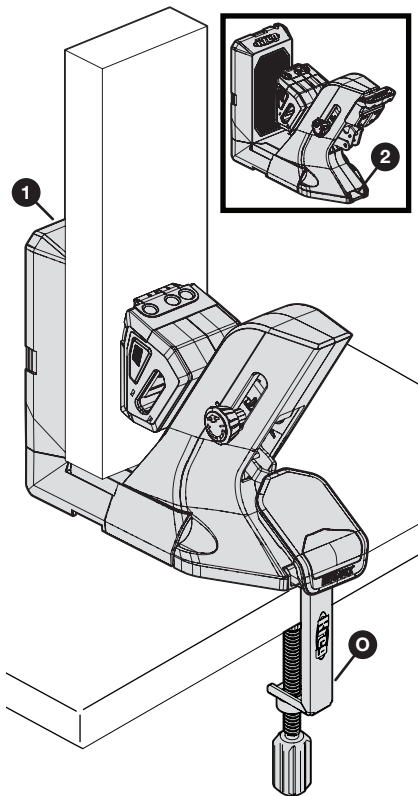
Usar la guía Kreg

La guía Kreg se ha diseñado para funcionar en orientación vertical u horizontal para acomodar la pieza de trabajo.

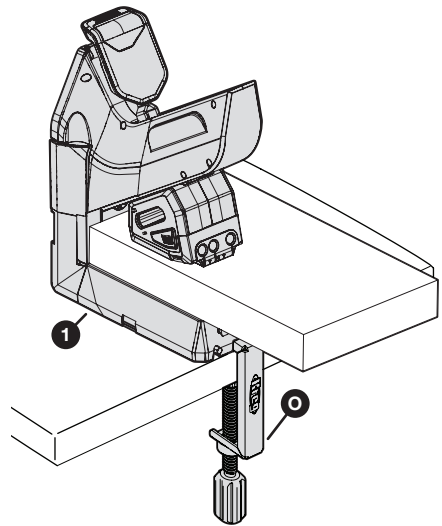
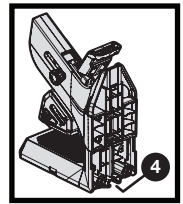
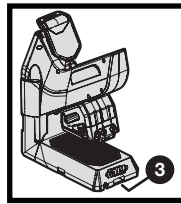
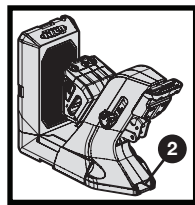
Para pasar de una orientación a la otra, tan solo gire la guía 90 grados.

En cualquier orientación, puede usar la abrazadera de la guía para agujeros ocultos (O) para fijar la guía en su lugar en la mesa de trabajo.

Orientación	Descripción	Opciones de posición de la abrazadera
Vertical	El lateral con almacenamiento de herramientas (1) está vertical	Una posición de abrazadera disponible (2)
Horizontal	El lateral con almacenamiento de herramientas (1) está boca abajo	Dos posiciones de abrazadera disponibles (3, 4)



Vertical



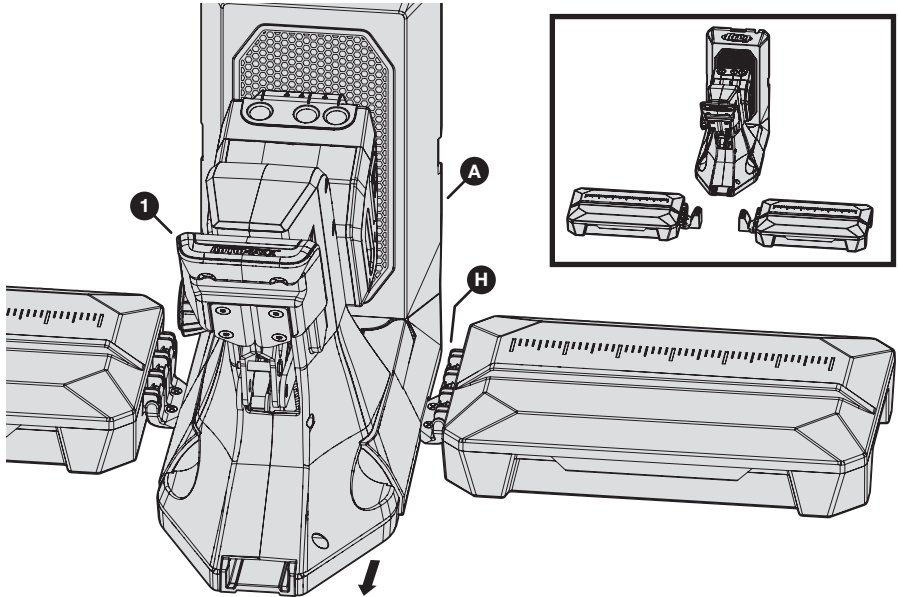
Horizontal

Quitar la guía de la estación de encastre

Si usa la guía Serie 700 con la estación de encastre opcional, puede quitarla de la estación de encastre en cualquier momento.

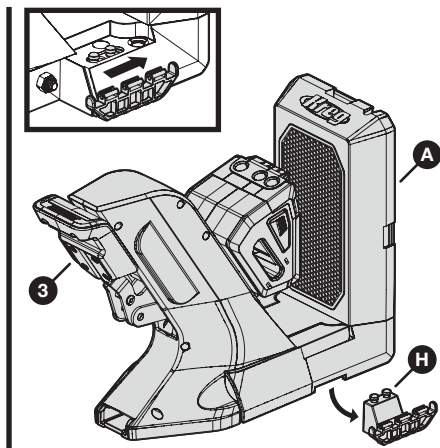
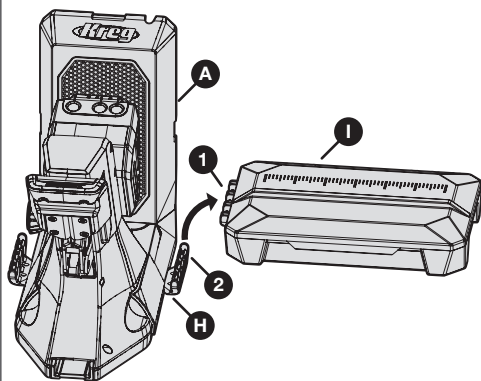
Quitar una guía Kreg Serie 700 de una estación de encastre montada

Con la manija de la guía (1) orientada hacia usted, deslice la guía (A) hacia usted hasta que se desenganche de los adaptadores de encastre (H). Luego levante la guía (A) de los adaptadores de encastre (H).



Quitar una guía Kreg Serie 700 de una estación de encastre sin montar

- a. Quite cada ala de soporte del material (I):
 1. Tome el ala de soporte del material (I) de cerca de donde se conecta al adaptador de encastre (H).
 2. Levante con suavidad el ala de soporte del material (I) de modo que el conector del ala de soporte del material (1) sobresalga del conector del adaptador de encastre (2).
- b. Para el adaptador de encastre (H) de cada lado de la guía (A):
 1. Levante ligeramente ese lado de la guía (A) de la superficie de trabajo.
 2. Con la manija de la guía (3) orientada hacia usted, deslice el adaptador de encastre (H) en dirección opuesta a usted hasta que se desenganche de la ranura en la parte inferior de la guía (A).
 3. Hale el adaptador de encastre (H) de la parte inferior de la guía (A).



Mantenimiento

Aplique con frecuencia aceite ligero a la conexión en movimiento de la manija.

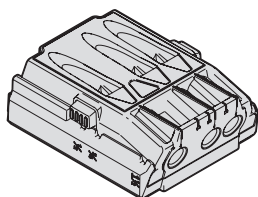
Cuidado y limpieza

Limpie con una aspiradora la herramienta con frecuencia para eliminar las virutas y el aserrín.

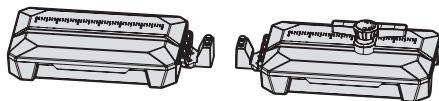
Use un paño húmedo para quitar las virutas y el aserrín de las superficies de las almohadillas antideslizantes Sure-Grip™.

Accesorios

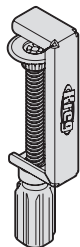
Microguía de taladrar KPHA730 Kreg



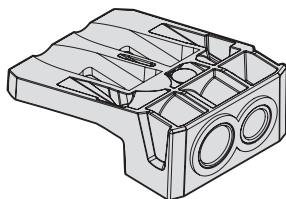
Estación de encastre para guía para agujeros ocultos KPHA750



Abrazadera de banco KPHA760 Kreg



Guía de taladrar para corte de tapones KPHA740





EXPLORAR. CONSTRUIR. COMPARTIR.

Somos creadores al igual que usted.
Por eso nos encanta ver en lo que está trabajando.
¡Comparta con la comunidad e inspírese!

#madewithKreg

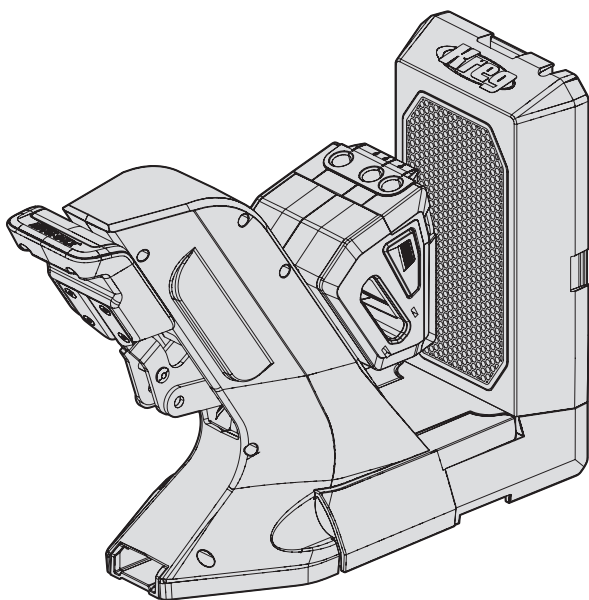
Obtenga planos gratuitos, recursos para proyectos y más.
kregtool.com y buildsomething.com

GUIDE D'UTILISATION



Gabarit de trou de poche Kreg série 700

Ce guide s'applique à tous les gabarits de trou de poche série 700



AVERTISSEMENT Tous les utilisateurs doivent lire et suivre les instructions et les précautions de sécurité de ce guide. Le non-respect de ces consignes peut entraîner des blessures graves. Conservez ce guide afin de pouvoir le consulter ultérieurement.

Nous sommes là pour vous aider.

Nous voulons que votre expérience de projet de construction soit exceptionnelle.

Si vous avez des questions ou avez besoin d'aide, veuillez nous contacter.

1-800-447-8638 | technicalsupport@kregtool.com

Parlez-nous de votre expérience.

Votre opinion compte et nous cherchons toujours à nous améliorer.

Faites-nous part de vos commentaires pour que nous puissions continuer à grandir et à innover pour vous.

www.kregtool.com/feedback

Table des matières

Consignes de sécurité	68	Mode d'emploi de votre gabarit Kreg	84
Avant le montage	69	Retrait du gabarit de la station d'accueil	85
Description du produit	69	Retrait d'un gabarit Kreg série 700 d'une station d'accueil montée . .	85
Rangement d'outils intégré	70	Retrait d'un gabarit Kreg série 700 d'une station d'accueil non montée	86
Pression de serrage réglable	70	Maintenance	87
Ailettes d'extension	71	Entretien et nettoyage	87
Option de montage	71	Accessoires	87
Accessoires de collecte de poussières.	72		
Assemblage de la station d'accueil	73		
Utilisation - Perçage de trous de poche	78		
Utilisation - Perçage et vissage des vis trou de poche.	83		

Consignes de sécurité

AVERTISSEMENT Avant d'utiliser un outil électrique avec ce produit, lisez et suivez les instructions du fabricant de cet outil et les consignes de sécurité, en plus des précautions ci-dessous, pour réduire le risque de blessures graves que peut entraîner un incendie, un choc électrique ou une mèche de perceuse en rotation.

- Portez toujours les équipements de protection individuelle recommandés par le fabricant de l'outil électrique que vous utilisez, notamment une protection oculaire, auditive ou respiratoire.
- La mèche est acérée. Manipulez-la avec précaution.
- Restez toujours sur vos gardes et suivez les principes de sécurité des outils, même s'il s'agit d'un outil que vous utilisez fréquemment. Un moment d'inattention suffit pour se blesser gravement.
- Évitez de placer les mains à un endroit où elles risquent d'entrer en contact avec la mèche en rotation si la pièce travaillée vient à glisser soudainement.
- En perçant, assurez-vous toujours que la pièce à travailler est solidement fixée dans le serre-joint. Il est dangereux de tenir la pièce à travailler à la main.

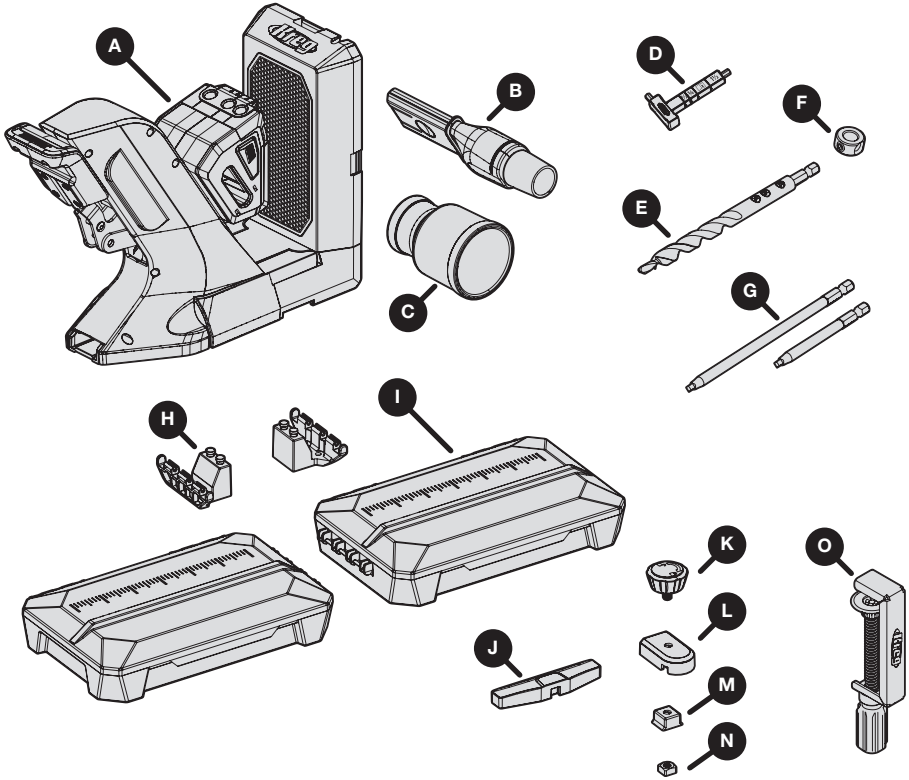
AVERTISSEMENT N'utilisez pas cet outil ni aucun autre appareil lorsque vous êtes sous l'effet de drogues, d'alcool ou de médicaments.

AVERTISSEMENT Ce produit peut vous exposer à des produits chimiques, notamment à l'acrylonitrile et d'autres produits chimiques, qui sont reconnus par l'État de la Californie comme étant cancérigènes et toxiques. Pour plus d'informations, consultez www.P65Warnings.ca.gov.

Avant le montage

Lisez cette section avant de commencer. Assurez-vous d'avoir tous les outils et tout le matériel sous la main. Comparez le contenu de l'emballage à la liste d'articles dans la section Description du produit. S'il manque un article, n'utilisez pas ce produit. Contactez l'équipe de support technique ou retournez le produit au point d'achat.

Description du produit



Pièce	Description
A	KPHJ720 Gabarit
B	Lame de collecte de poussières
C	Adaptateur poussières
D	Jauge d'épaisseur du matériau/clé allen à 6 pans
E	Mèche de perceuse réglable pour trou de poche
F	Bague de butée réglable
G	Embouts de visseuse (3 po et 6 po / 76 mm et 152 mm)

Pièce	Description
H ¹	Adaptateurs de station d'accueil pour KPHJ720 (2)
I ¹	Ailettes de maintien du matériau (2)
J ¹	Bras de butée réglable
K ¹	Bouton de butée réglable
L ¹	Base de butée réglable
M ¹	Coin de base de butée réglable
N ¹	Écrou carré de butée réglable
O ¹	Serre-joint de gabarit de trou de poche KPHA760

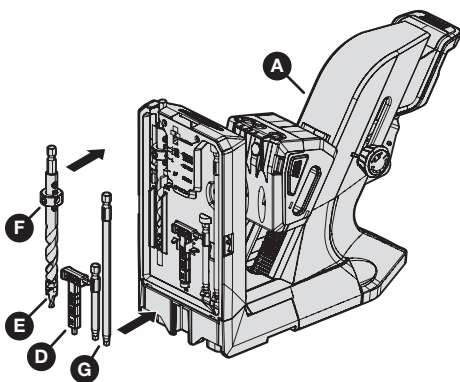
¹ Ces pièces de la station d'accueil de gabarit de trou de poche KPHA750 sont incluses dans l'emballage du KPHJ720PRO.

Remarque Le produit inclut aussi deux paquets de vis types (non illustrés).

Rangement d'outils intégré

Le gabarit KPHJ720 (A) permet le rangement intégré de ces articles :

- Mèche de perceuse réglable pour trou de poche (E) avec bague de butée réglable (F) montée
- Jauge d'épaisseur du matériau/clé allen à 6 pans (D)
- Embouts de visseuse de 3 po (76 mm) et 6 po (152 mm) (G)

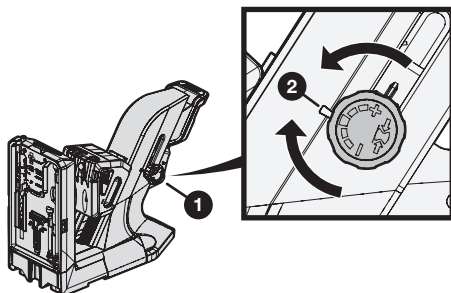


Pression de serrage réglable

Un bouton (1) sur le côté du gabarit KPHJ720 vous permet d'augmenter ou de diminuer la pression de serrage exercée sur la pièce à travailler. Cinq réglages de pression sont disponibles. Le gabarit sort de l'usine avec la pression réglée au milieu.

Pour régler la pression de serrage :

- Relevez la poignée du gabarit au maximum pour relâcher la pression de serrage.
- Tournez le bouton de réglage de la pression de serrage (1) d'un clic dans le sens voulu :
 - Sens horaire pour diminuer la pression
 - Sens anti-horaire pour augmenter la pression
- Avec un bloc-test en place, réappliquez la pression de serrage en appuyant sur la poignée du gabarit en imprimant un mouvement continu jusqu'à ce qu'elle atteigne sa fin de course.
- Répétez cette procédure si nécessaire jusqu'à ce que vous soyez satisfait de la pression de serrage.



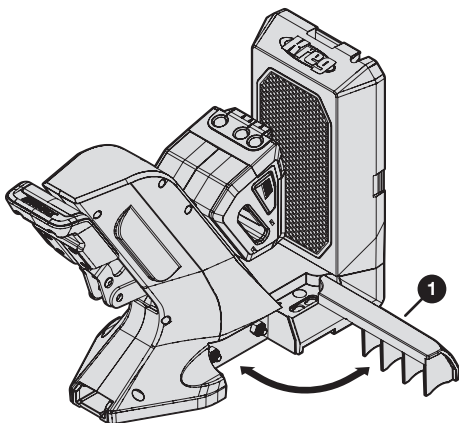
Remarque

- Le gabarit est réglé à la pression de serrage minimum lorsque le signe « moins » sur le bouton de réglage de la pression de serrage (1) est aligné sur la marque de sélection (2).
- Le gabarit est réglé à la pression de serrage maximum lorsque le signe « plus » sur le bouton de réglage de la pression de serrage (1) est aligné sur la marque de sélection (2).

Ailettes d'extension

Le gabarit KPHJ720 a deux ailettes d'extension, une (1) de chaque côté de la base du gabarit. Vous pouvez tourner une ailette ou les deux de 90 degrés pour plus de stabilité et un meilleur maintien du matériau.

Remarque Si vous utilisez la station d'accueil en option avec le gabarit, vous utiliserez les ailettes de maintien du matériau de la station d'accueil au lieu des ailettes d'extension illustrées ici. Voir **Assemblage de la station d'accueil**, à la page 73.



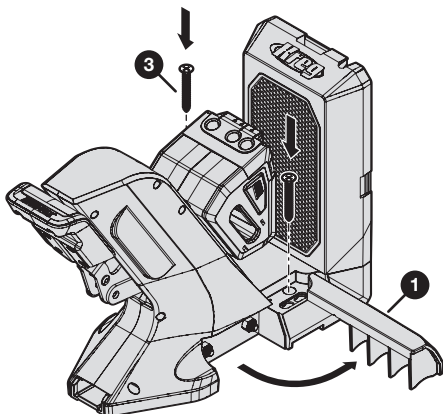
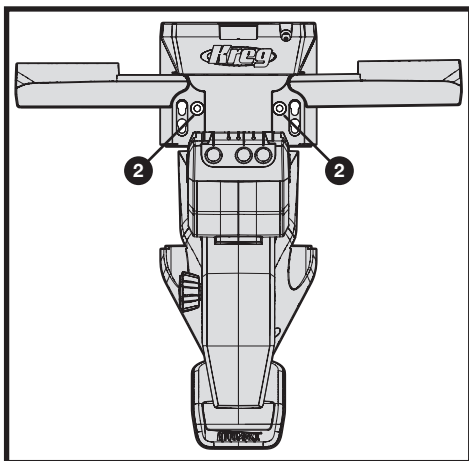
Option de montage

Si vous le souhaitez, vous pouvez monter le gabarit KPHJ720 sur votre surface de travail pour plus de stabilité.

Remarque Ces instructions s'appliquent à un gabarit qui est utilisé *sans* la station d'accueil en option.

- Placez le gabarit dans la position souhaitée sur votre établi.
- Tournez l'ailette d'extension (1) de chaque côté du gabarit à 90 degrés.
Deux trous de montage (2) sont désormais accessibles (un trou de chaque côté du gabarit).
- Insérez une vis pour trou de poche Kreg (3) dans chaque trou de montage (2).

Remarque Vous pouvez utiliser des vis Kreg SML-C125 ou toute autre vis trou de poche Kreg.



Accessoires de collecte de poussières

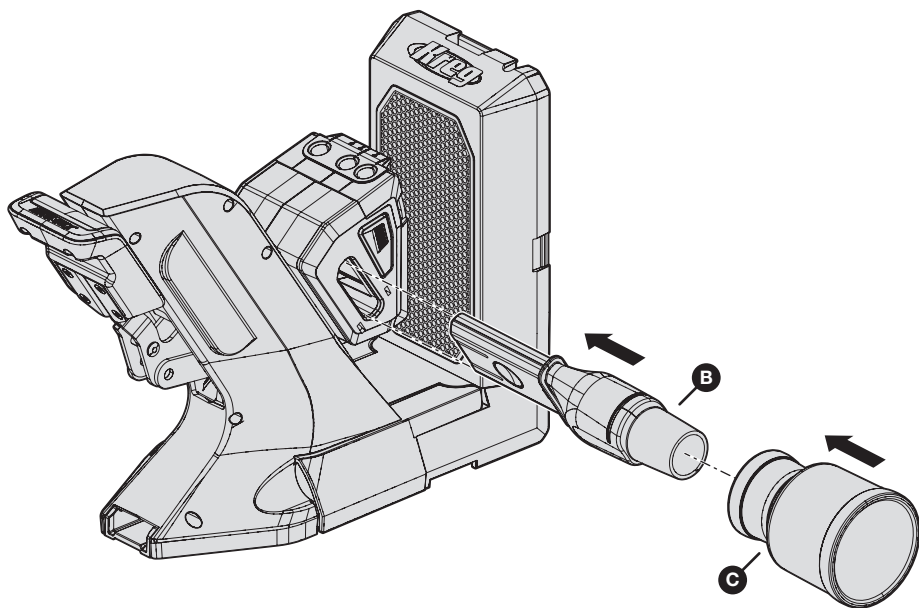
Vous pouvez utiliser les accessoires de collecte de poussières fournis pour capturer les poussières lorsque vous percez.

Pour attacher les accessoires de collecte de poussières :

- Si nécessaire, en fonction du diamètre du tuyau que vous utilisez, attachez l'adaptateur poussières (C) à l'extrémité large de la lame de collecte de poussières (B).

Diamètre du tuyau	Exige un adaptateur poussières ?
1-1/4 po (32 mm)	Non
1-7/8 po (48 mm)	Non
2-1/2 po (64 mm)	Oui

- Insérez l'extrémité étroite de la lame de collecte de poussières (B) dans le côté gauche ou droit du gabarit.



Remarque Vous pouvez laisser la lame de collecte de poussières et l'adaptateur poussières dans le gabarit lorsque celui-ci n'est pas utilisé.

Assemblage de la station d'accueil

Cette section décrit comment assembler la station d'accueil qui est incluse dans l'emballage du KPHJ720PRO. Vous pouvez également acheter la station d'accueil séparément (voir **Accessoires**, à la page 87).

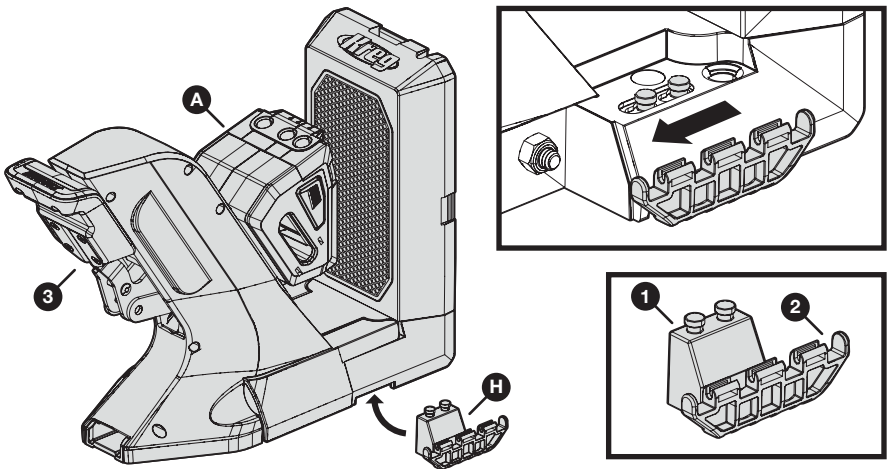
Remarque Si vous n'utilisez pas la station d'accueil, sautez cette section et passez à **Utilisation - Perçage de trous de poche**, à la page 78.

1 Raccordement des adaptateurs de la station d'accueil au gabarit

- Placez le gabarit KPHJ720 (A) sur une surface plane.
- Soulevez légèrement d'une main un côté du gabarit (A).
- De l'autre main, placez un adaptateur de station d'accueil (H) sous le gabarit (A) de manière à ce que les broches de fixation (1) rentrent dans le trou correspondant sous le gabarit (A) ; ensuite, glissez l'adaptateur de station d'accueil (H) vers la poignée du gabarit (3) pour verrouiller l'adaptateur de station d'accueil (H) en position.

Remarque Un côté de l'adaptateur de station d'accueil (H) a des broches de fixation (1) qui s'insèrent sous le gabarit ; l'autre côté a un connecteur (2) destiné à une ailette de maintien du matériau (non illustrée). Assurez-vous que le côté connecteur d'ailette (2) de l'adaptateur de station d'accueil (H) dépasse du côté du gabarit (A).

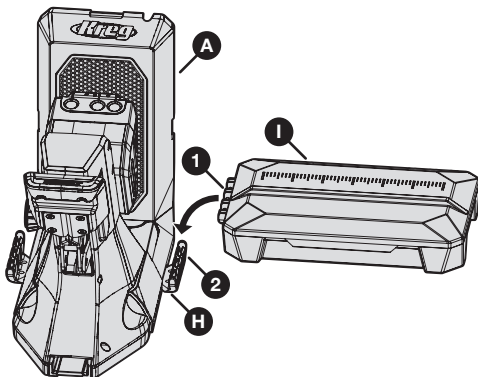
- Répétez les étapes b et c pour connecter l'autre adaptateur de station d'accueil (H) sur le côté opposé du gabarit (A).



2 Raccordement des ailettes de maintien du matériau aux adaptateurs de station d'accueil de station d'accueil

Astuce Les ailettes de maintien du matériau servent aussi de boîtes de rangement.

- Tenez une ailette de maintien du matériau (I) avec le côté droit vers le haut (de manière à ce que le couvercle de la boîte de rangement soit tourné vers le haut et s'ouvre à l'opposé de vous).
- Alignez le connecteur (1) situé sur le côté de l'ailette de maintien du matériau (I) sur le connecteur (2) de l'adaptateur de station d'accueil (H) qui dépasse sur le côté du gabarit (A) ; ensuite, appuyez fermement sur l'ailette de maintien du matériau (I) de sorte à bien enclencher les connecteurs l'un dans l'autre.



Remarque Les barres sur le connecteur de l'ailette de maintien du matériau (1) s'enclenchent dans les rainures sur le connecteur de l'adaptateur de la station d'accueil (2).

- Répétez cette procédure pour fixer l'autre ailette de maintien du matériau (I) à l'adaptateur de la station d'accueil (H) sur le côté opposé du gabarit (A).

Remarque Vous pouvez rabattre les ailettes de maintien du matériau en position verticale pour gagner de la place lorsque le gabarit n'est pas utilisé ou pour le déplacer plus facilement. Rabattez toujours les ailettes de maintien du matériau vers le bas avant d'utiliser le gabarit.

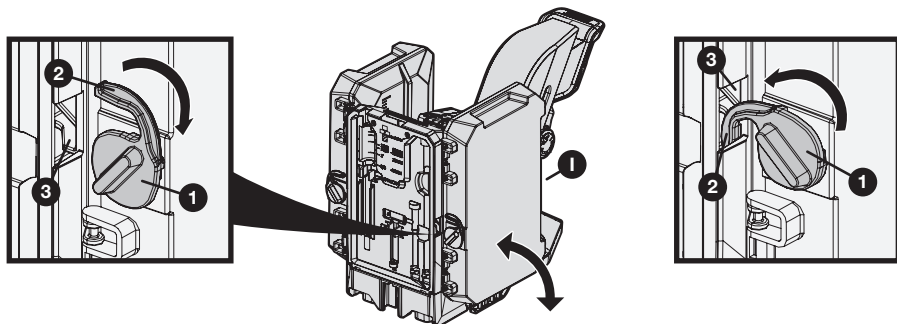
Remarque Si vous utilisez les accessoires de collecte de poussières (page 72), vous devez les enlever du gabarit avant de pouvoir rabattre les ailettes de maintien du matériau vers le haut.

Pour rabattre les ailettes de maintien du matériau vers le haut :

- Rabattez l'ailette de maintien du matériau (I) vers le haut en position verticale.
- Tournez le verrou d'ailette (1) vers l'intérieur jusqu'à ce que le loquet (2) s'enclenche bien dans l'encoche (3) de ce côté du gabarit.

Pour rabattre les ailettes de maintien du matériau vers le bas :

- Tournez le verrou d'ailette (1) vers l'extérieur jusqu'à ce que le loquet (2) se dégage de l'encoche (3) sur le côté du gabarit.
- Rabattez l'ailette de maintien du matériau (I) vers le bas en position horizontale.

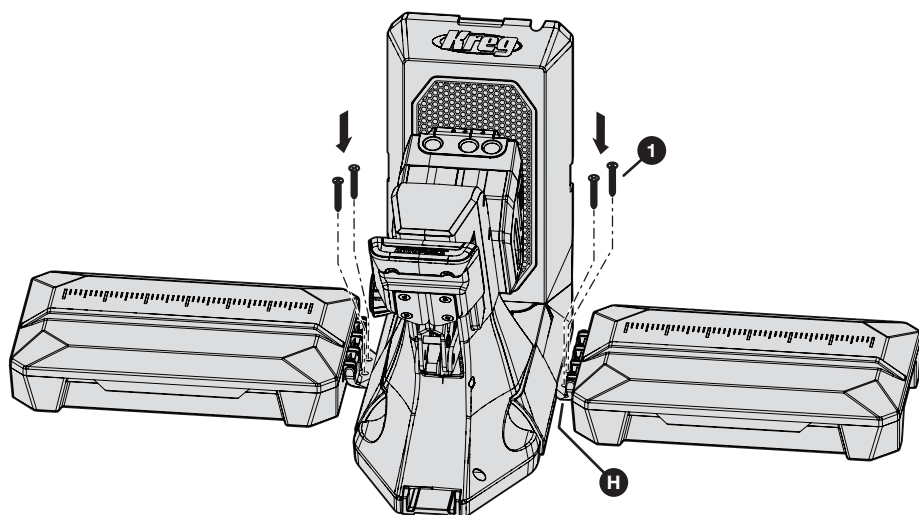
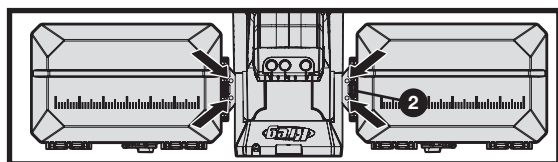


3 Facultatif : Montage des adaptateurs de la station d'accueil sur une surface de travail

Si vous le souhaitez, vous pouvez monter les adaptateurs de la station d'accueil sur votre surface de travail pour plus de stabilité.

- Placez la station d'accueil (avec le gabarit série 700 attaché) dans la position souhaitée sur votre établi.
- Enfilez une vis trou de poche Kreg (1) dans chacun des quatre trous de fixation (2) des adaptateurs de la station d'accueil (H).

Remarque Vous pouvez utiliser des vis Kreg SML-C125 ou toute autre vis trou de poche Kreg.



4 Assemblage de la base de butée réglable

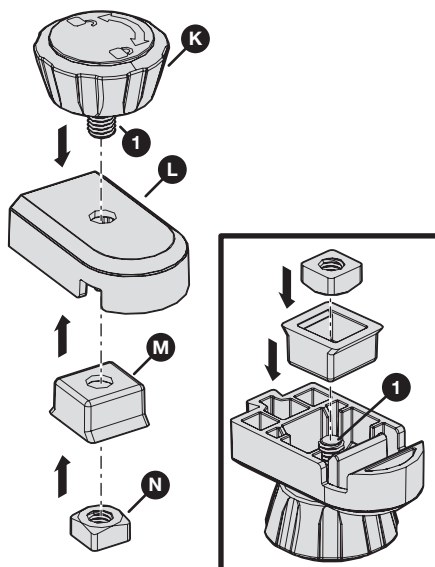
La station d'accueil inclut une butée réglable qui peut être attachée à l'une ou l'autre des ailettes de maintien du matériau. La butée réglable permet d'obtenir des résultats reproductibles lorsque vous avez de nombreuses pièces qui exigent le même espacement entre les trous de poche.

Remarque La butée réglable a deux parties : la base de butée réglable, que vous assemblerez à cette étape ; et le bras de butée réglable, qui peut être attaché à la base de butée réglable dans différentes configurations (voir l'étape 5).

- Insérez la vis (1) du bouton de butée réglable (K) dans le trou sur le dessus de la base de butée (L).
- En maintenant le bouton (K) en position, mettez la base de butée (L) à l'envers de sorte que la vis (1) pointe vers le haut.
- Laissez tomber le coin de la base de butée réglable (M) sur la vis (1), le côté bride tourné vers le haut.

Remarque Le coin de la base de butée réglable (M) devrait affleurer avec la base de butée réglable (L). S'il n'affleure pas, tournez le coin de la base de butée réglable (M) de 90 degrés.

- Placez l'écrou carré de butée réglable (N) sur la vis (1), puis tournez le bouton de butée réglable (K) jusqu'à ce que l'écrou carré de butée réglable (N) soit serré.

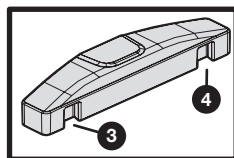
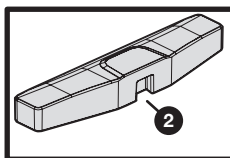
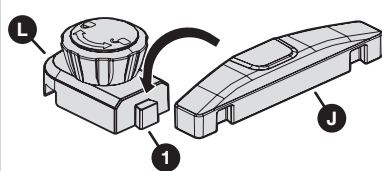


5 Fixation du bras de butée réglable sur la base de butée réglable

Abaissez une encoche du bras de butée réglable (J) sur l'ergot (1) de la base de butée réglable (L) jusqu'à ce que le bras de butée réglable (J) soit complètement enclenché sur l'ergot (1).

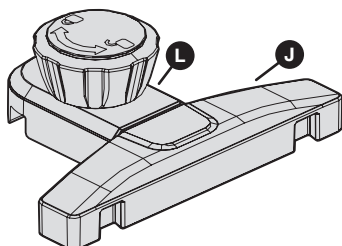
Remarque Le bras de butée réglable (J) a trois encoches : une encoche centrale (2) d'un côté et deux encoches extérieures (3, 4) du côté opposé. Utilisez l'encoche appropriée selon la manière dont vous voulez configurer la butée réglable.

Remarque Pour modifier la configuration de la butée réglable, soulevez le bras de butée réglable (J) de la base de butée réglable (L). Ensuite, glissez une autre encoche du bras de butée réglable (J) sur l'ergot (1) de la base de butée réglable (L).



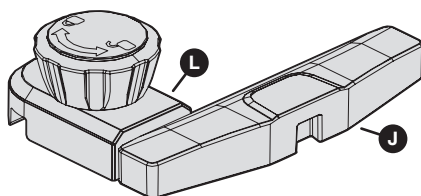
Configuration centrée

Utilisez l'encoche centrale du bras (2)




Configuration déportée

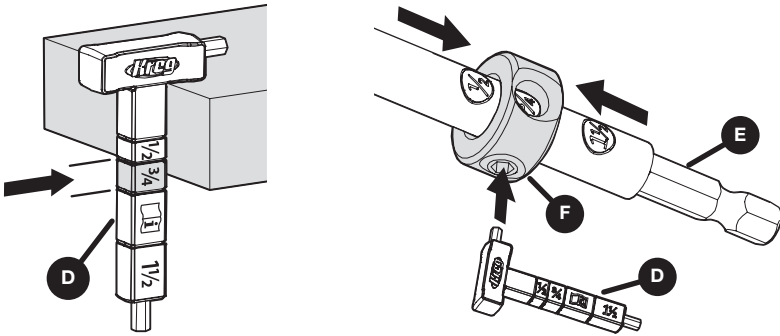
Utilisez une des encoches extérieures du bras (3, 4) de sorte que le bras (J) dépasse d'un côté de la base (L)



1 Détermination de l'épaisseur du matériau et montage de la bague de butée

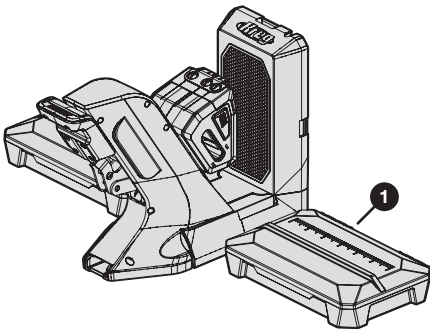
- Utilisez la jauge d'épaisseur du matériau (D) pour déterminer l'épaisseur du matériau.
- Réglez la bague de butée (F) en la plaçant sur la mèche (E) et en alignant la fenêtre de la bague de butée (F) sur la plage d'épaisseur de mesure déterminée à l'étape a.
- Utilisez la clé allen intégrée à la jauge d'épaisseur du matériau (D) pour verrouiller la bague de butée (F) en place sur la mèche (E).

Remarque Si l'épaisseur du matériau se situe dans la plage , utilisez la même configuration que pour la plage 3/4 po (19 mm) avec une vis de 1-1/2 po (38 mm).

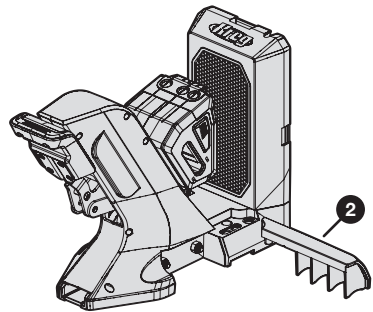


2 Si applicable : stabilisez le gabarit

- **Si vous utilisez la station d'accueil :** Rabattez les deux ailettes de maintien du matériau vers le bas, en position horizontale (1).
- **Si vous n'utilisez pas la station d'accueil :** Vous pouvez tourner une ou deux ailettes d'extension (2) du gabarit vers l'extérieur à partir de la base pour plus de stabilité, si vous le souhaitez.



Avec la station d'accueil : ailettes de maintien du matériau rabattues vers le bas



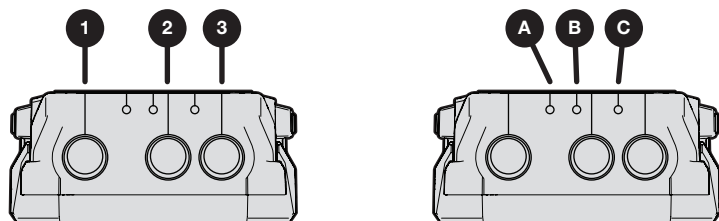
Sans la station d'accueil : ailettes d'extension tournées vers l'extérieur

3 Positionnement de la pièce à travailler

a. Placez la pièce à travailler dans le gabarit et utilisez le guide de perçage pour l'aligner.

Remarque Il existe deux autres méthodes qui vous permettront d'aligner votre gabarit Kreg sur votre pièce à travailler :

- Alignez la ligne du milieu de votre guide pour trou de poche (numéro 1, 2 ou 3) sur l'emplacement désiré sur votre pièce à travailler. Pour des planches plus larges (largeur supérieure à 3-1/2 po (89 mm)), les trous de poche doivent être placés à 5/8 po minimum et 1-1/2 po maximum (16 mm et 38 mm) de chaque bord de la pièce à travailler, puis tous les 6 à 8 po (152 à 203 mm).
- Utilisez les marques de centrage de la planche (lettre A, B ou C) pour centrer les deux trous de poche sur une pièce à travailler dont la largeur est comprise entre 1-1/4 po et 3-1/2 po (32 mm et 89 mm). Voir le tableau ci-dessous pour les tailles en fonction de la largeur.



Largeur de la planche	Marque de centrage	Guide de perçage
Entre 1-1/4 po et 1-3/4 po (32 mm et 45 mm)	C	2 et 3
Entre 1-3/4 po et 2-3/8 po (45 mm et 60 mm)	A	1 et 2
Entre 2-3/8 po et 3-1/2 po (60 mm et 89 mm)	B	1 et 3

b. Une fois satisfait de la position de la pièce à travailler dans le gabarit, passez à l'étape 4.

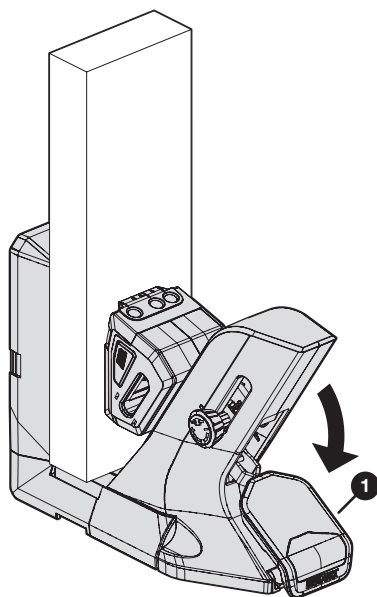
4 Serrage de la pièce à travailler

- a. Appuyez sur la poignée du gabarit (1) d'un mouvement continu jusqu'à ce qu'elle atteigne sa fin de course.

Remarque Si vous avez des difficultés à appuyer sur la poignée du gabarit (1) jusqu'à sa fin de course, diminuez* la pression de serrage.

- b. Vérifiez si la pièce à travailler est solidement maintenue dans le gabarit ; augmentez* la pression de serrage, si nécessaire.

Remarque Augmentez la pression de serrage si le serre-joint ne tient pas la pièce à travailler aussi solidement que vous le souhaitez, si la pièce à travailler bouge ou si vous utilisez un accessoire de guide de perçage appelé « taille-bouchon ».



* Voir **Pression de serrage réglable**, à la page 70.

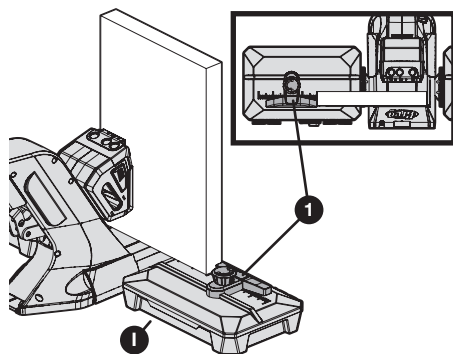
5 Facultatif : réglage de la butée réglable

Remarque La butée réglable vous permet de percer plus vite des trous de poche sur des pièces à travailler similaires. La butée réglable est un accessoire inclus avec la station d'accueil. Si vous n'utilisez pas la station d'accueil, sautez cette étape et passez à l'étape 6.

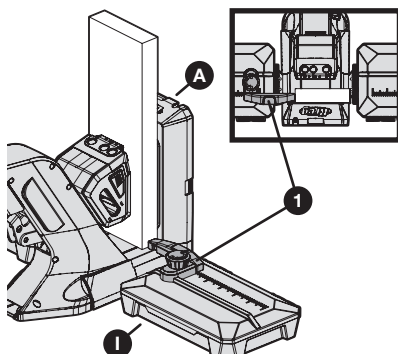
- a. Si nécessaire, modifiez la configuration de la butée réglable en fonction de la taille et de l'orientation de la pièce à travailler dans le gabarit :
- **Pièce à travailler large** : si la pièce à travailler est assez large pour atteindre le haut d'une ailette de maintien du matériau (I), utilisez la butée réglable (1) dans sa configuration *centrée*.
 - **Pièce à travailler étroite** : si la pièce à travailler ne franchit pas l'espace entre le gabarit et l'ailette de maintien du matériau (I), utilisez la butée réglable (1) dans une configuration *déportée*.

Remarque Pour une configuration déportée, utilisez l'encoche extérieure du bras de butée réglable qui sera la plus éloignée du gabarit une fois la butée réglable (1) en place sur l'ailette de maintien du matériau (I).

Remarque Pour les instructions de changement de configuration, voir **Fixation du bras de butée réglable sur la base de butée réglable** à la page 77.

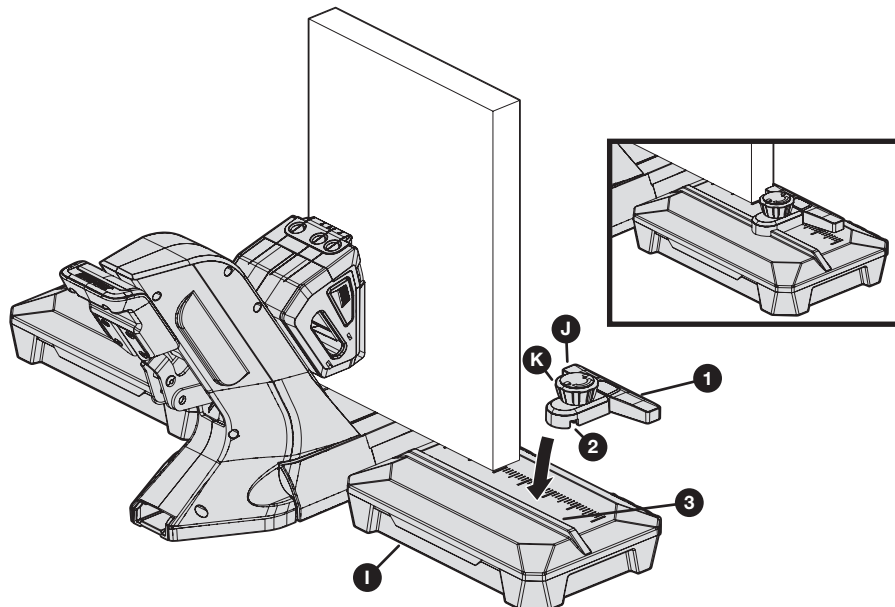


Butée réglable (1) en configuration centrée pour une pièce à travailler large



Butée réglable (1) en configuration déportée pour une pièce à travailler étroite

- b. Placez la butée réglable (1) sur le couvercle d'une ailette de maintien du matériau (l) de sorte que :
- Le bord du bras de butée réglable (J) soit bien en appui sur la pièce à travailler.
 - L'encoche (2) sous la base de butée réglable s'enclenche sur le rail (3) qui court à travers le couvercle de l'ailette de maintien du matériau (l).
- c. Tournez le bouton de butée réglable (K) dans le sens horaire jusqu'à ce qu'il soit bien serré pour fixer la butée réglable (1) en position.

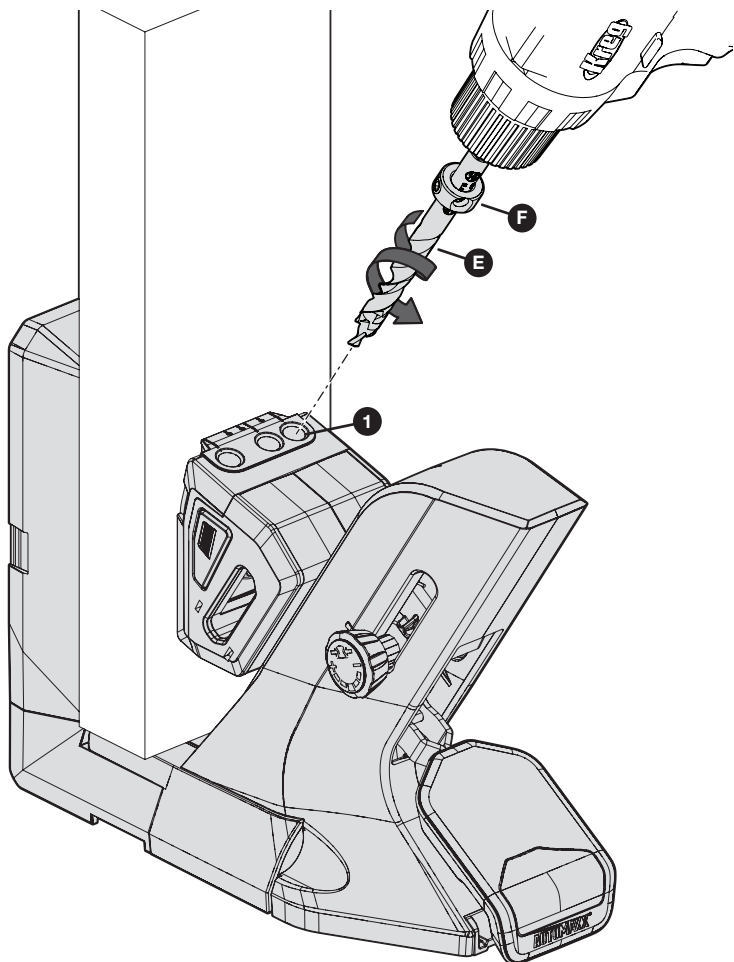


Remarque Pour repositionner ou retirer la butée réglable (1), tournez le bouton de butée réglable (K) dans le sens anti-horaire pour le desserrer. Ensuite, glissez la butée réglable (1) jusqu'à une nouvelle position sur le rail (3) ou soulevez-la de l'ailette de maintien du matériau (l).

6 Perçage des trous de poche

AVERTISSEMENT En perçant, assurez-vous toujours que la pièce à travailler est solidement serrée et que la poignée du gabarit est abaissée jusqu'à sa fin de course.


- Insérez la mèche (E) avec la bague de butée (F) montée dans votre perceuse.
- Insérez la mèche de perceuse (E) dans le guide de perçage (1) et assurez-vous que la perceuse tourne à pleine vitesse avec une rotation de la mèche adéquate avant d'entrer en contact avec la pièce à travailler.
- Percez jusqu'à ce que la bague de butée (F) vous empêche d'aller plus loin en raison du contact entre la bague de butée (F) et le guide de perçage (1). Retirez la mèche de perceuse (E) du guide de perçage (1) avec la mèche encore en rotation.
- Une fois le(s) trou(s) de poche percés, relevez la poignée du gabarit pour relâcher la pression de serrage, puis enlevez la pièce à travailler.




Utilisation - Perçage et vissage des vis trou de poche

Pour un résultat optimal, suivez ces directives pour percer et visser des vis trou de poche :

- Utilisez la taille de vis correcte en vous référant à ce tableau :

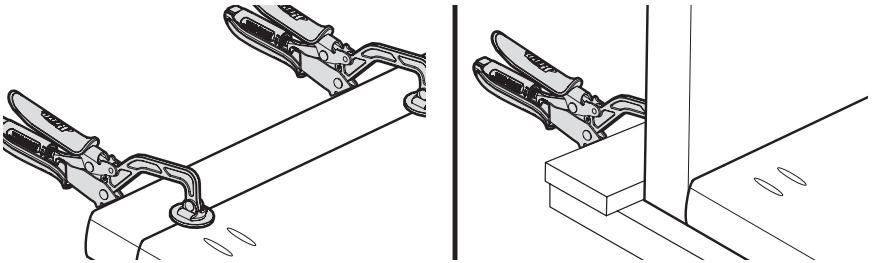
Épaisseur du matériau mesurée	Bague de butée réglable	Réglage d'épaisseur du matériau	Longueur de la vis
Plage 1/2	1/2	Automatique	1 po (25 mm)*
Plage 3/4	3/4		1-1/4 po (32 mm)
	3/4		1-1/2 po (38 mm)
Plage 1-1/2	1 1/2		2-1/2 po (64 mm)

* Une vis de 1 po (25 mm) est recommandée pour la majorité des applications, mais pour une pièce à travailler dans le bas de la fourchette, une vis de 3/4 po (19 mm) peut être utile pour éviter le dépassement de la pointe de vis.

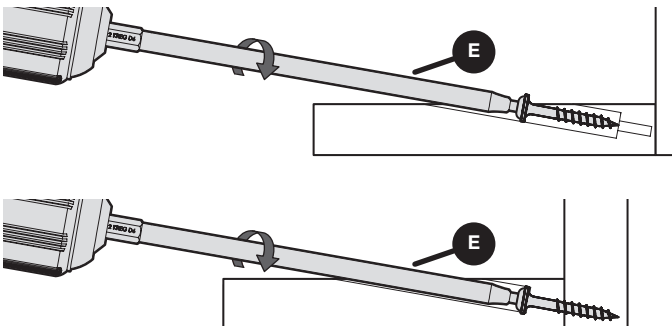
Remarque Si l'épaisseur du matériau se situe dans la plage , utilisez la même configuration que pour la plage 3/4 po (19 mm) avec une vis de 1-1/2 po (38 mm). Pour en savoir plus sur le choix des vis, consultez www.Kregtool.com/Screws ou scannez le code QR situé sur l'emballage de votre échantillon de vis.

- Serrez bien les joints pour des joints de meilleure qualité. Ces exemples montrent des joints à plat et à angle droit.

AVERTISSEMENT En perçant, assurez-vous toujours que la pièce travaillée est solidement fixée dans le serre-joint.



- Mettez la vis dans l'embout de vissage (E), insérez la vis dans le trou de vis et vissez-la jusqu'à ce qu'elle soit bien en place sans être trop vissée.



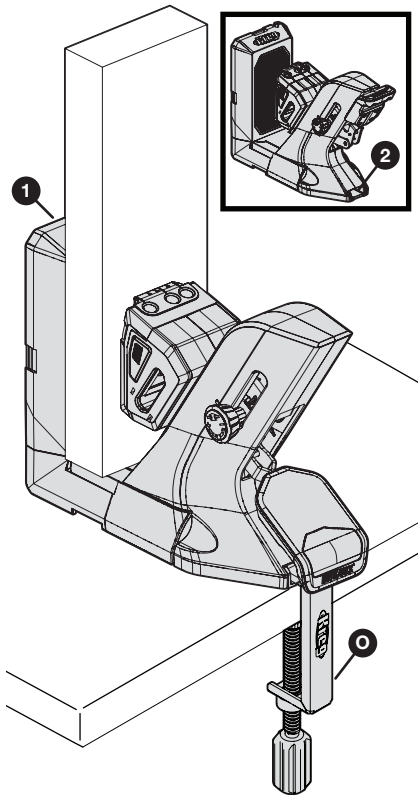
Mode d'emploi de votre gabarit Kreg

Votre gabarit Kreg a été conçu pour travailler dans l'orientation verticale ou horizontale en fonction de la pièce à travailler.

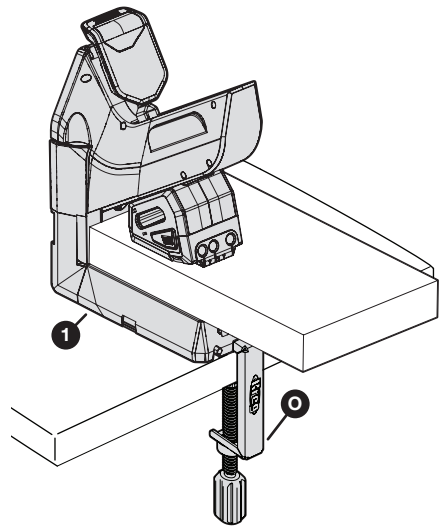
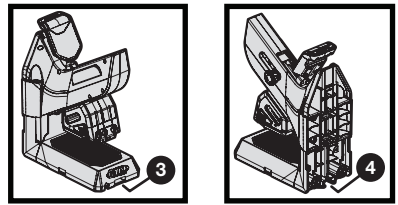
Pour passer d'une orientation à l'autre, tournez simplement le gabarit de 90 degrés.

Quelle que soit l'orientation, vous pouvez utiliser le serre-joint du gabarit de trou de poche (O) pour fixer le gabarit en place sur votre établi.

Orientation	Description	Options de position du serre-joint
Verticale	La zone de rangement des outils (1) est verticale	Une position possible pour le serre-joint (2)
Horizontale	La zone de rangement des outils (1) est à l'envers	Deux positions possibles pour le serre-joint (3, 4)



Verticale



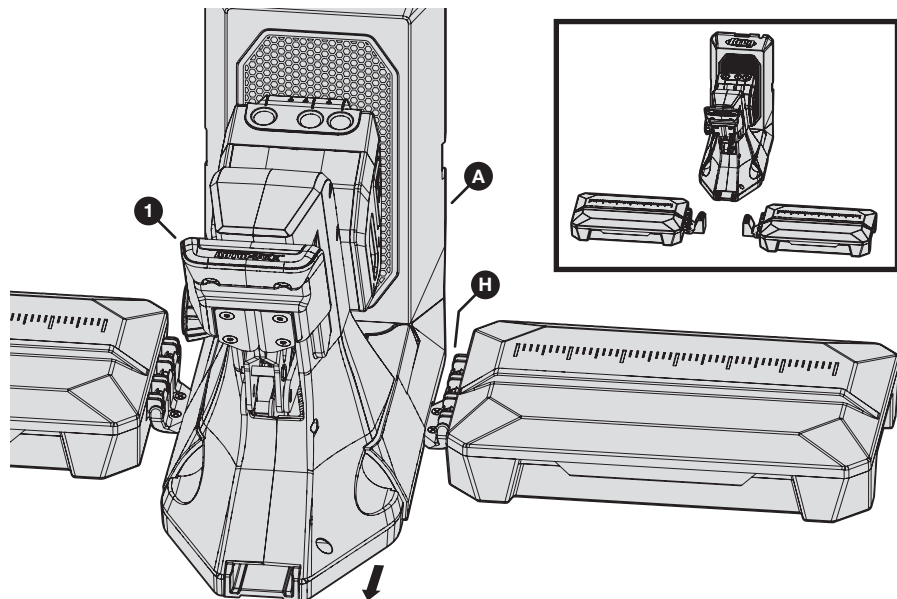
Horizontale

Retrait du gabarit de la station d'accueil

Si vous utilisez le gabarit série 700 avec la station d'accueil en option, vous pouvez enlever le gabarit de la station d'accueil à tout moment.

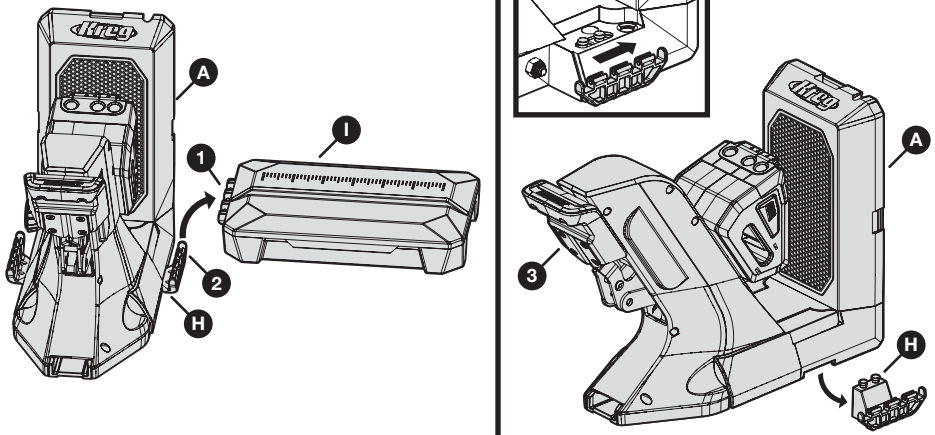
Retrait d'un gabarit Kreg série 700 d'une station d'accueil montée

Avec la poignée du gabarit (1) tournée vers vous, glissez le gabarit (A) vers vous jusqu'à ce qu'il se dégage des adaptateurs de station d'accueil (H). Ensuite, soulevez le gabarit (A) des adaptateurs de station d'accueil (H).



Retrait d'un gabarit Kreg série 700 d'une station d'accueil non montée

- a. Détachez chaque ailette de maintien du matériau (I) :
1. Saisissez l'ailette de maintien du matériau (I) près de son point de raccordement à l'adaptateur de station d'accueil (H).
 2. Soulevez délicatement l'ailette de maintien du matériau (I) de sorte que le connecteur de l'ailette de maintien du matériau (1) sorte spontanément du connecteur de l'adaptateur de station d'accueil (2).
- b. Pour l'adaptateur de station d'accueil (H) de chaque côté du gabarit (A) :
1. Soulevez légèrement ce côté du gabarit (A) de la surface de travail.
 2. Avec la poignée du gabarit (3) tournée vers vous, glissez l'adaptateur de station d'accueil (H) à l'opposé de vous jusqu'à ce qu'il se détache de la fente sous le gabarit (A).
 3. Sortez l'adaptateur de station d'accueil (H) du dessous du gabarit (A) en tirant.



Maintenance

Appliquez périodiquement de l'huile sur la tringlerie en mouvement de la poignée.

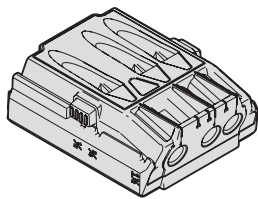
Entretien et nettoyage

Nettoyez périodiquement votre outil en aspirant les copeaux et la sciure.

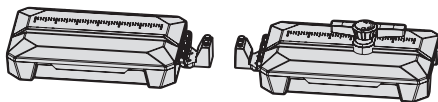
Utilisez un chiffon humide pour éliminer les poussières et autres particules des surfaces antidérapantes Sure-Grip™.

Accessoires

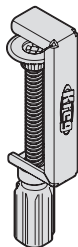
Micro-guide de perçage Kreg KPHA730



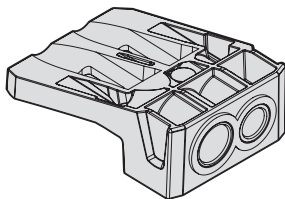
Station d'accueil de gabarit de trou de poche KPHA750



Serre-joint pour établi Kreg KPHA760



Guide de perçage « taille-bouchon » KPHA740





EXPLORER. CONSTRUIRE. PARTAGER.

Nous sommes des artisans comme vous.
C'est pourquoi nous aimons voir ce sur quoi vous travaillez.
Montrez-le à la communauté et trouvez votre inspiration !

#madewithKreg

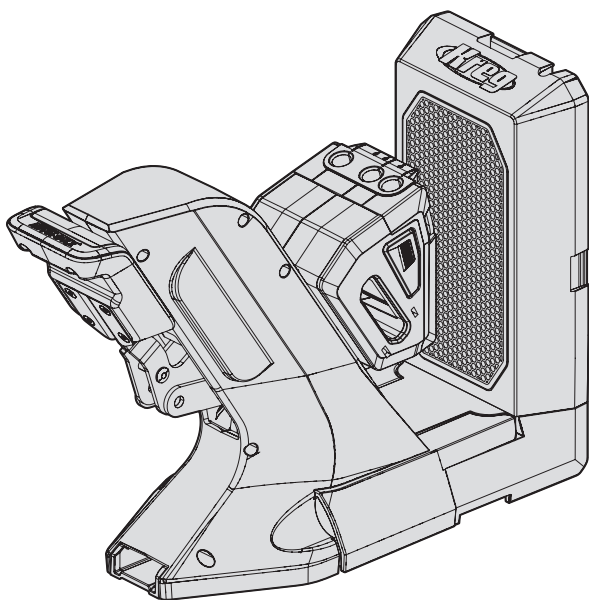
Obtenez des plans gratuits, des ressources pour vos projets et plus encore.
kregtool.com et buildsomething.com

MANUAL DEL PROPIETARIO



Plantilla de agujeros de bolsillo de Kreg de la serie 700

Este manual se aplica a todas las plantillas de agujeros de bolsillo de la serie 700



ADVERTENCIA Todos los usuarios deben leer y seguir las instrucciones y precauciones de seguridad de este manual. De lo contrario, podrían producirse graves lesiones. Guarda el manual para consultarlo en el futuro.

Estamos aquí para ayudar.

Nuestro objetivo es que tengas una experiencia de proyectos de construcción excepcional.

Si tienes alguna duda o necesitas asistencia, no dudes en ponerte en contacto con nosotros.

1-800-447-8638 | technicalsupport@kregtool.com

Cuéntanos tu experiencia.

Tu opinión cuenta. Siempre estamos buscando formas de mejorar.

Comparte tus impresiones para que podamos seguir creciendo e innovando para ti.

www.kregtool.com/feedback

Contenido

Precauciones de seguridad	90	Funcionamiento - Perforar y pasar los tornillos de agujeros de bolsillo	105
Antes del montaje.	91	Uso de la plantilla de Kreg	106
Descripción del producto	91	Quitar la plantilla de la estación de acoplamiento	107
Almacenamiento de herramientas a bordo	92	Quitar una plantilla Kreg de la serie 700 de una estación de acoplamiento montada.	107
Presión de sujeción regulable.	92	Quitar una plantilla Kreg de la serie 700 de una estación de acoplamiento no montada	108
Aletas extensibles.	93	Mantenimiento	109
Opción de montaje	93	Cuidado y limpieza	109
Accesorios para la recogida de polvo	94	Accesorios	109
Montaje de la estación de acoplamiento	95		
Funcionamiento - Perforar agujeros de bolsillo	100		

Precauciones de seguridad

ADVERTENCIA Antes de utilizar una herramienta eléctrica con este producto, leer y seguir las instrucciones y precauciones de seguridad del fabricante de la herramienta, además de las precauciones de seguridad que se indican a continuación, para reducir el riesgo de lesiones graves causadas por peligros como incendios, descargas eléctricas o brocas en movimiento.

- Llevar siempre el equipo de protección individual recomendado por el fabricante de la herramienta eléctrica que se está utilizando, como protección ocular, acústica o respiratoria.
- La broca es afilada. Manipular con cuidado.
- A pesar de haber adquirido familiaridad por el uso frecuente de las herramientas, no hay que olvidar las normas de prevención de riesgos laborales. Un momento de descuido es más que suficiente para causar una lesión grave.
- Evitar posturas inadecuadas de la mano en las que un deslizamiento repentino podría causar el contacto con la broca en movimiento.
- Al perforar, asegurarse siempre de que la pieza de trabajo esté bien sujeta. Es peligroso sostener la pieza de trabajo con la mano.

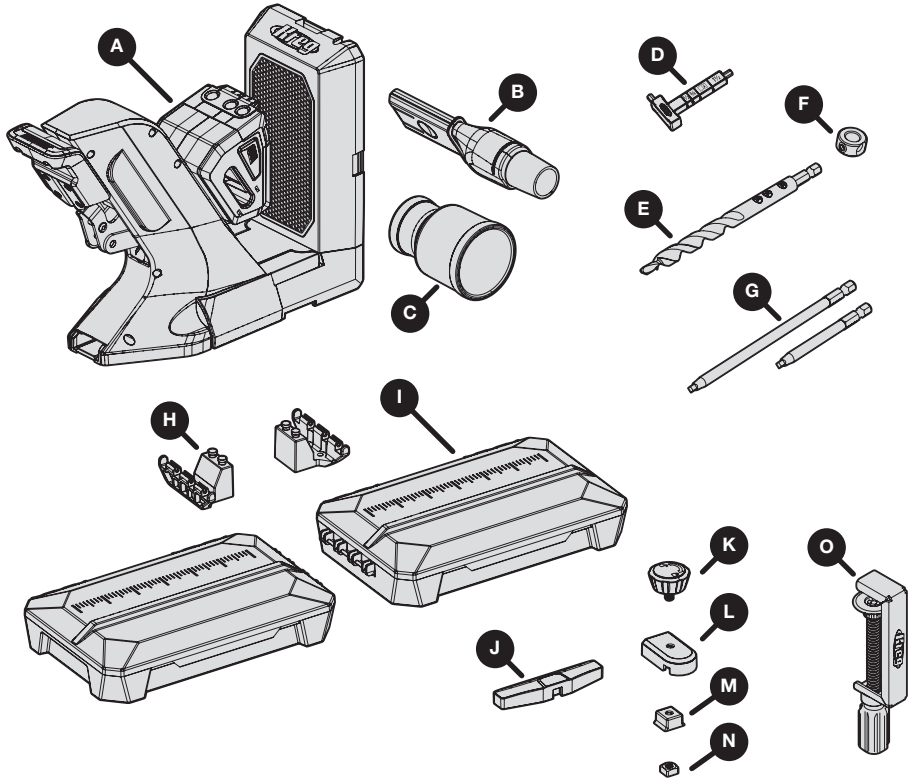
ADVERTENCIA No utilizar esta herramienta ni ninguna otra maquinaria mientras se esté bajo los efectos de drogas, alcohol o fármacos.

ADVERTENCIA El producto puede exponerle a sustancias químicas entre las que se encuentra el acrilonitrilo, que en el estado de California es reconocido como cancerígeno y causante de daños de tipo reproductivo. Para obtener más información, visitar la página www.P65Warnings.ca.gov.

Antes del montaje

Revisar esta sección antes de empezar. Asegurarse de tener todas las herramientas y materiales a mano. Comparar el contenido del paquete con los artículos enumerados en la sección de Descripción del producto. Si falta algún artículo, no utilizar este producto. Ponerse en contacto con el Servicio de asistencia técnica o devolver el producto al lugar de compra.

Descripción del producto



Componente	Descripción
A	Plantilla KPHJ720
B	Paleta de recogida de polvo
C	Adaptador de polvo
D	Medidor de grosor del material/Llave Allen
E	Broca de agujero de bolsillo de fácil colocación
F	Limitador de profundidad de fácil colocación
G	Broca para atornillar (3" y 6" / 76 mm y 152 mm)

Componente	Descripción
H ¹	Adaptadores de acoplamiento para KPHJ720 (2)
I ¹	Aletas de soporte del material (2)
J ¹	Brazo de tope regulable
K ¹	Perilla de tope regulable
L ¹	Base de tope regulable
M ¹	Cuña de la base de tope regulable
N ¹	Tuerca cuadrada de tope regulable
O ¹	Abrazadera de plantilla de agujero de bolsillo KPHA760

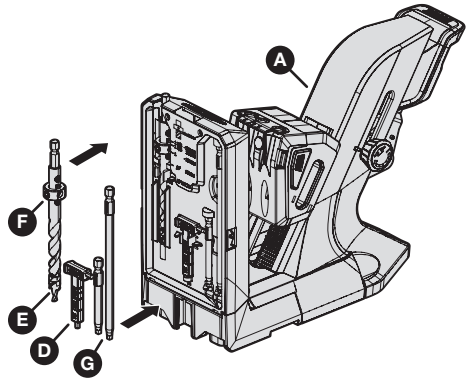
¹ Estos componentes de la estación de acoplamiento KPHA750 para plantilla de agujeros de bolsillo se incluyen con el paquete KPHJ720PRO.

Nota El producto también incluye dos paquetes de tornillos de muestra (no mostrados).

Almacenamiento de herramientas a bordo

La plantilla (A) KPHJ720 proporciona un almacenamiento de herramientas a bordo para estos elementos:

- Broca de agujero de bolsillo de fácil colocación (E) con limitador de profundidad de fácil colocación (F)
- Medidor de grosor del material/Llave Allen (D)
- Brocas para atornillar (G) de 3" y 6" (76 mm y 152 mm)

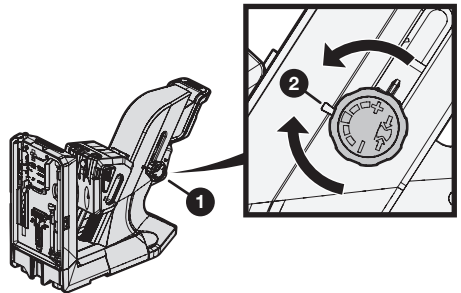


Presión de sujeción regulable

Una perilla (1) en el lateral de la plantilla KPHJ720 le permite aumentar o disminuir la presión de la sujeción que se aplica en la pieza de trabajo. Hay cinco ajustes de presión disponibles. La plantilla se envía de fábrica con una presión media de sujeción.

Para ajustar la presión de sujeción:

- Levantar el mango de la plantilla hasta arriba para liberar la presión de sujeción.
- Girar la perilla de ajuste de la presión de sujeción (1) un clic en la dirección deseada:
 - En el sentido de las agujas del reloj para disminuir la presión
 - En sentido contrario a las agujas del reloj para aumentar la presión
- Con un bloque de prueba en su lugar, vuelva a aplicar la presión de sujeción presionando el mango de la plantilla hacia abajo con un movimiento suave hasta que el mango de la plantilla esté en su límite de recorrido.
- Repita este procedimiento tantas veces como sea necesario hasta que esté satisfecho con la presión de sujeción.



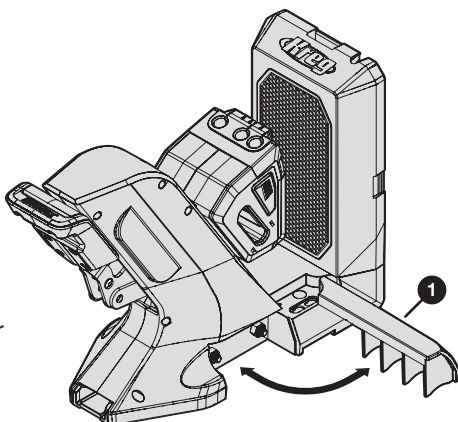
Nota

- La plantilla está ajustada en la presión mínima de sujeción cuando el signo "menos" de la perilla de ajuste de la presión de sujeción (1) se alinea con la marca de selección (2).
- La plantilla está ajustada en la presión máxima de sujeción cuando el signo "más" de la perilla de ajuste de la presión de sujeción (1) se alinea con la marca de selección (2).

Aletas extensibles

La plantilla KPHJ720 tiene dos aletas extensibles, una (1) en cada lado de la base de la plantilla. Es posible girar una o ambas aletas 90 grados para dar una mayor estabilidad y apoyo al material.

Nota Si usa la estación de acoplamiento opcional con la plantilla, usará las aletas de soporte de material de la estación de acoplamiento en lugar de las aletas extensibles que se muestran aquí. Consultar la sección **Montaje de la estación de acoplamiento** en la página 95.



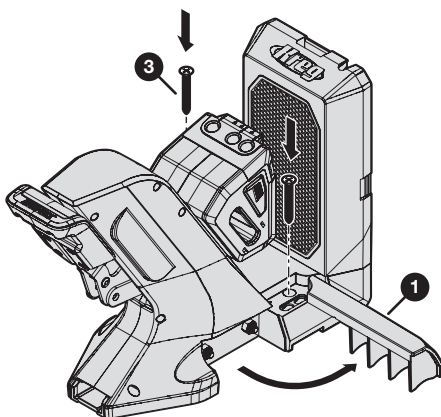
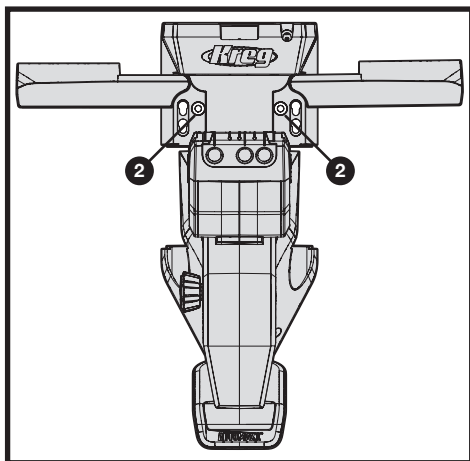
Opción de montaje

Si se desea, es posible montar la plantilla KPHJ720 en una superficie de trabajo para tener una mayor estabilidad.

Nota Estas indicaciones se aplican a una plantilla que se utiliza *sin* la estación de acoplamiento opcional.

- Coloque la plantilla en la posición deseada en su banco de trabajo.
- Gire 90 grados la aleta extensible (1) en cada lado de la plantilla.
Ahora hay dos agujeros de montaje (2) accesibles (un agujero a cada lado de la plantilla).
- Pase un tornillo de bolsillo Kreg (3) a través de cada agujero de montaje (2).

Nota Se pueden usar tornillos Kreg SML-C125 o cualquier otro tornillo Kreg de agujero de bolsillo.



Accesorios para la recogida de polvo

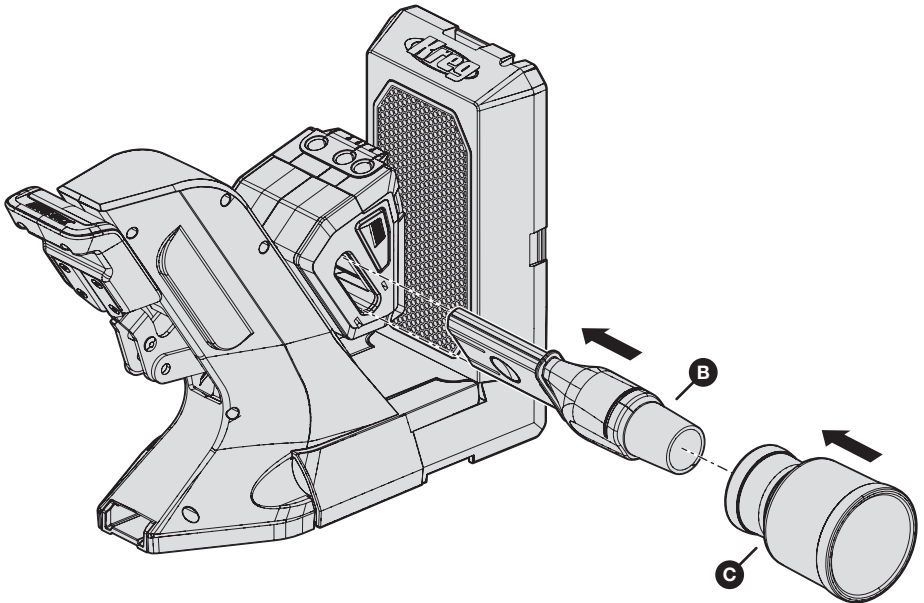
Puede usar los accesorios de recogida de polvo suministrados para capturar el polvo mientras perfora.

Para colocar los accesorios de recogida de polvo:

- Si es necesario para el diámetro del tubo que está utilizando, coloque el adaptador de polvo (C) en el extremo ancho de la paleta de recogida de polvo (B).

Diámetro del tubo	¿Necesita un adaptador de polvo?
1-1/4" (32 mm)	No
1-7/8" (48 mm)	No
2-1/2" (64 mm)	Sí

- Introduzca el extremo estrecho de la paleta de recogida de polvo (B) en el lado izquierdo o derecho de la plantilla.



Nota Puede dejar la paleta de recogida de polvo y el adaptador de polvo en la plantilla mientras que ésta no está en uso.

Montaje de la estación de acoplamiento

Esta sección describe cómo montar la estación de acoplamiento que se incluye con el paquete KPHJ720PRO. También puede adquirir la estación de acoplamiento por separado (consultar los **Accesorios** en la página 109).

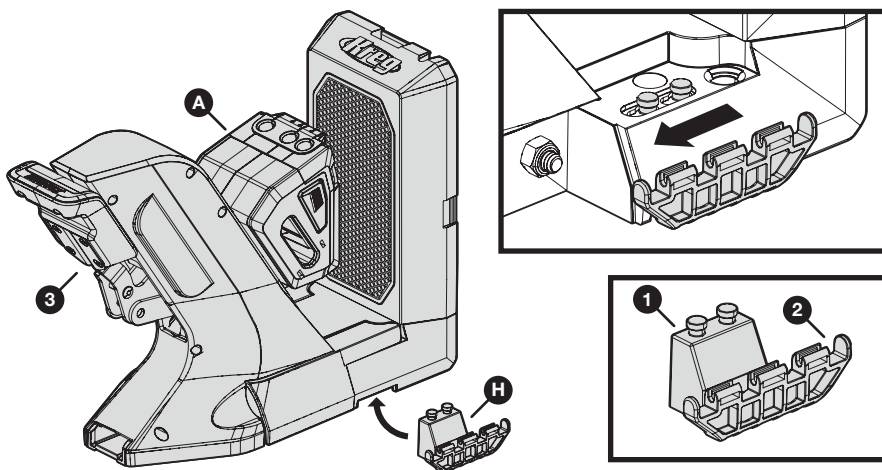
Nota Si no está utilizando la estación de acoplamiento, salte esta sección y vaya a **Funcionamiento - Perforar agujeros de bolsillo** en la página 100.

1 Conectar los adaptadores de acoplamiento a la plantilla

- Colocar la plantilla KPHJ720 (A) en una superficie plana.
- Con una mano, levantar un lado de la plantilla (A) ligeramente.
- Con la otra mano, colocar un adaptador de acoplamiento (H) debajo de la plantilla (A) para que los pasadores de sujeción (1) encajen en el agujero correspondiente en la parte inferior de la plantilla (A); a continuación, deslizar el adaptador de acoplamiento (H) hacia el mango de la plantilla (3) para fijar el adaptador de acoplamiento (H) en su posición.

Nota Un lado del adaptador de acoplamiento (H) tiene pasadores de sujeción (1) que encajan en la parte inferior de la plantilla; el otro lado tiene un conector (2) para una aleta de soporte del material (no se muestra). Asegurarse de que el lado del conector de la aleta (2) del adaptador de acoplamiento (H) se extienda hacia fuera del lado de la plantilla (A).

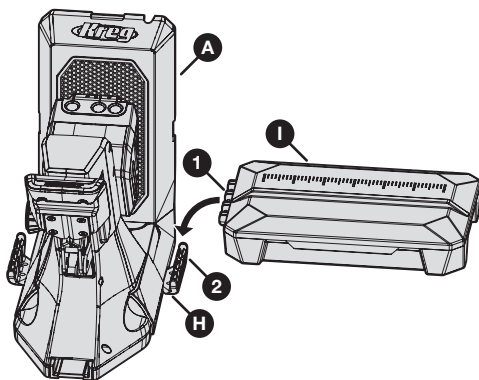
- Repetir los pasos b y c para conectar el otro adaptador de acoplamiento (H) en el lado contrario de la plantilla (A).



2 Conectar las aletas de soporte del material a los adaptadores de acoplamiento

Consejo Las aletas de soporte del material también sirven como cajas de almacenamiento.

- Sostener una aleta de soporte del material (I) con la parte superior hacia arriba (de modo que la tapa de la caja de almacenamiento esté orientada hacia arriba y se abra en dirección contraria al usuario).
- Alinear el conector (1) en el lado de la aleta de soporte del material (I) con el conector (2) en el adaptador de acoplamiento (H) que se extiende desde el lado de la plantilla (A); a continuación, presionar la aleta de soporte del material (I) firmemente hacia abajo para que los conectores se enganchen.



Nota Las barras del conector de la aleta de soporte del material (1) encajan en las ranuras del conector del adaptador de acoplamiento (2).

- Repetir estos pasos para conectar la otra aleta de soporte del material (I) al adaptador de acoplamiento (H) en el lado contrario de la plantilla (A).

Nota Las aletas de soporte del material se pueden plegar en posición vertical para ahorrar espacio cuando la plantilla no se usa o para facilitar el traslado de la plantilla de un lugar a otro. Plegar siempre las aletas de soporte del material antes de usar la plantilla.

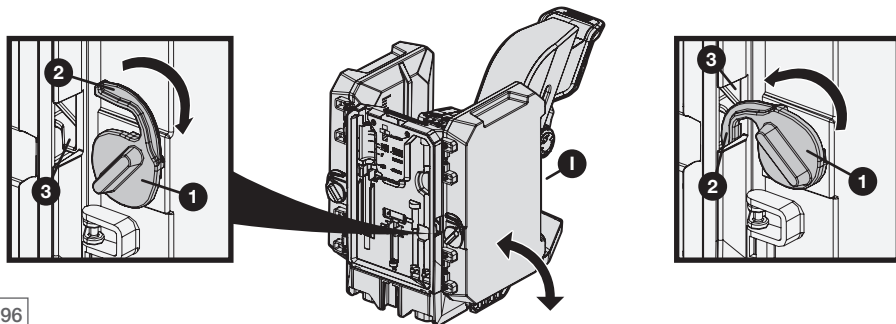
Nota Si usa los accesorios de recogida de polvo (página 94), debe quitarlos de la plantilla para plegar las aletas de soporte del material.

Para plegar las aletas de soporte del material:

- Plegar la aleta de soporte del material (I) hacia arriba hasta que quede en posición vertical.
- Girar el bloqueo de la aleta (1) hacia dentro hasta que el pasador (2) se enganche de manera segura en la muesca (3) en ese lado de la plantilla.

Para desplegar las aletas de soporte del material:

- Girar el bloqueo de la aleta (1) hacia afuera hasta que el pasador (2) se desenganche de la muesca (3) en ese lado de la plantilla.
- Desplegar la aleta de soporte del material (I) hacia abajo hasta que quede en posición horizontal.

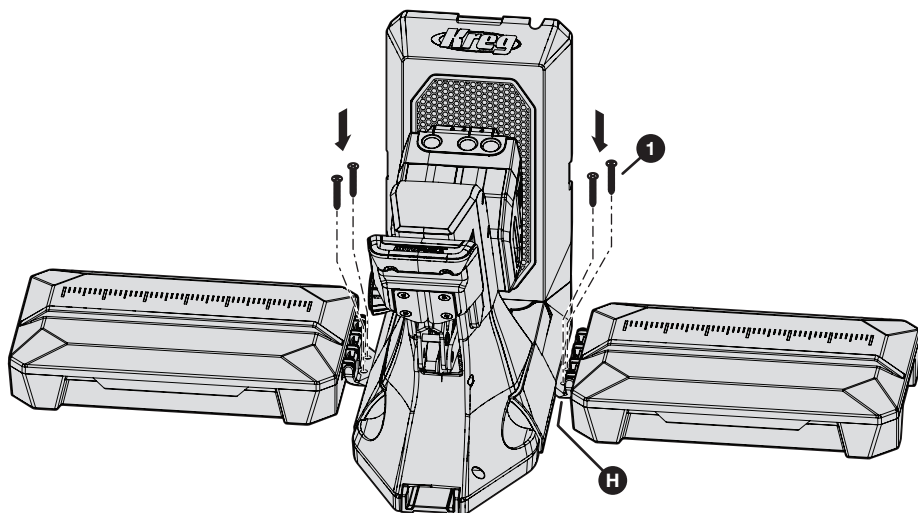
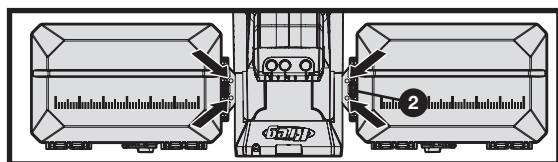


3 Opcional: Montar los adaptadores de acoplamiento en una superficie de trabajo

Si se desea, es posible montar los adaptadores de acoplamiento en una superficie de trabajo para tener una mayor estabilidad.

- Colocar la estación de acoplamiento montada (con la plantilla de la serie 700 fijada) en la posición deseada en un banco de trabajo.
- Pasar un tornillo de agujero de bolsillo Kreg (1) a través de cada uno de los cuatro agujeros de montaje (2) en los adaptadores de acoplamiento (H).

Nota Se pueden usar tornillos Kreg SML-C125 o cualquier otro tornillo Kreg de agujero de bolsillo.



4 Montar la base de tope regulable

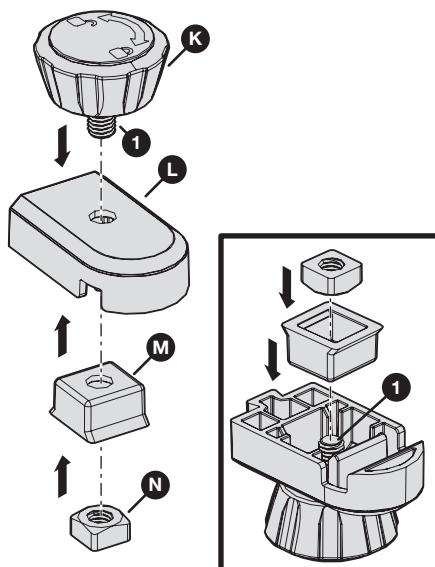
La estación de acoplamiento incluye un tope regulable que puede fijarse en cualquiera de las dos aletas de soporte del material. El tope regulable facilita la obtención de resultados repetibles cuando se tienen muchas piezas que requieren un espaciado idéntico entre los agujeros de bolsillo.

Nota El tope regulable consta de dos partes: la base del tope regulable, que se monta en este paso; y el brazo de tope regulable, que puede fijarse a la base de tope regulable en diferentes configuraciones (ver el paso 5).

- Introducir el tornillo (1) de la perilla de tope regulable (K) en el agujero situado en la parte superior de la base de tope (L).
- Manteniendo la perilla (K) en posición, poner la base de tope (L) al revés para que el tornillo (1) vaya hacia arriba.
- Colocar la cuña de la base de tope regulable (M) sobre el tornillo (1) con el lado bridado orientado hacia arriba.

Nota La cuña de la base de tope regulable (M) debe quedar al ras con la base de tope regulable (L). Si no queda al ras, girar la cuña de la base de tope regulable (M) 90 grados.

- Colocar la tuerca cuadrada de tope regulable (N) en el tornillo (1); a continuación, girar la perilla de tope ajustable (K) hasta que la tuerca cuadrada de tope regulable (N) esté bien ajustada.

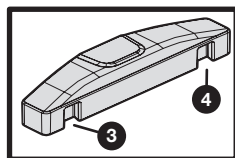
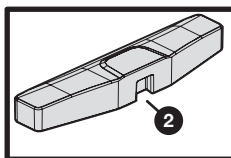
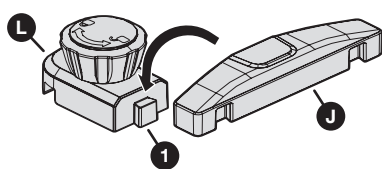


5 Fijar el brazo de tope regulable a la base de tope regulable

Colocar una de las muescas del brazo de tope regulable (J) en la pestaña (1) de la base de tope regulable (L) de forma que el brazo de tope regulable (J) quede completamente asentado en la pestaña (1).

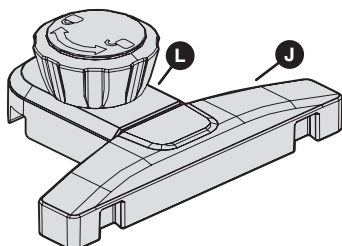
Nota El brazo de tope regulable (J) tiene tres muescas: una muesca central (2) en un lado y dos muescas exteriores (3, 4) en el lado contrario. Utilizar la muesca apropiada dependiendo de cómo se quiera configurar el tope regulable.

Nota Para cambiar la configuración del tope regulable, levantar el brazo de tope regulable (J) de la base de tope regulable (L). A continuación, utilizar una muesca diferente del brazo de tope regulable (J) en la pestaña (1) de la base de tope regulable (L).



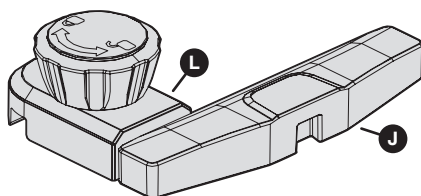
Configuración centrada

Utilizar la muesca central del brazo (2)




Configuración lateral

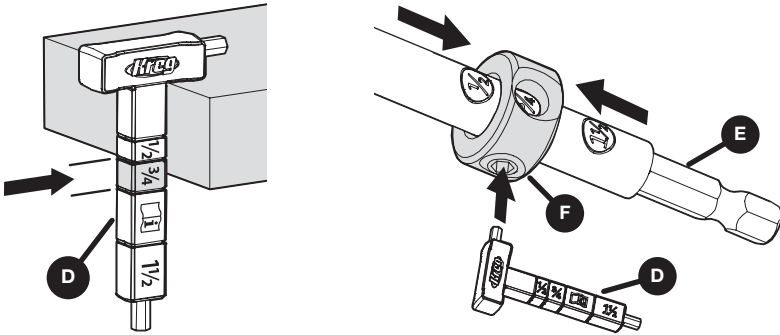
Utilizar cualquiera de las muescas exteriores del brazo (3, 4), para que el brazo (J) se extienda a un lado de la base (L)



1 Determinar el grosor del material y fijar el limitador de profundidad

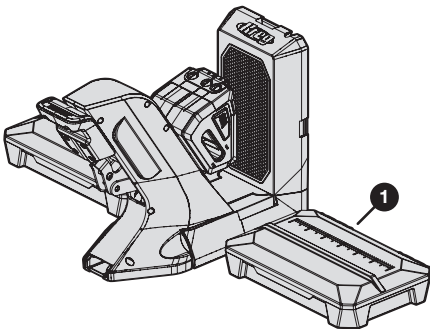
- Utilizar el medidor de grosor del material (D) para determinar el rango de grosor del material.
- Ajustar el limitador de profundidad (F) colocándolo en la broca (E) y alineándolo la ventana del limitador de profundidad (F) con el rango de grosor del material que se haya determinado en el paso a.
- Utilizar la llave Allen incorporada en el medidor de grosor del material (D) para bloquear el limitador de profundidad (F) en su lugar en la broca (E).

Nota Si el grosor del material se encuentra dentro del rango , utilizar las mismas técnicas de configuración que para el rango 3/4" (19 mm) con un tornillo de 1-1/2" (38 mm).

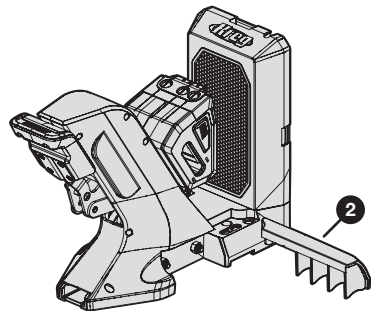


2 Si es posible: Estabilizar la plantilla

- **Si se usa la estación de acoplamiento:** Desplegar ambas aletas de soporte del material hacia abajo hasta que queden en posición horizontal (1).
- **Si no se usa la estación de acoplamiento:** Se puede girar una o ambas aletas extensibles de la plantilla (2) hacia fuera de la base de la plantilla para proporcionar una mayor estabilidad, si se desea.



Con la estación de acoplamiento:
aletas de soporte del material
desplegadas hacia abajo



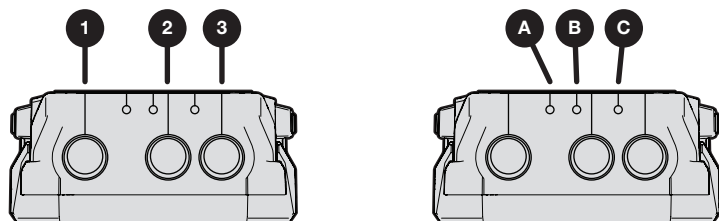
Sin la estación de acoplamiento:
aletas extensibles giradas hacia fuera

3 Colocar la pieza de trabajo

a. Colocar la pieza de trabajo en la plantilla y usar la guía de perforación para alinearla.

Nota Existen dos métodos diferentes para alinear las plantillas de Kreg a la pieza de trabajo:

- Alinear la línea central de cualquier guía de agujeros de bolsillo (número 1, 2 o 3) con la ubicación que se haya elegido en la pieza de trabajo. Para paneles más anchos (más de 3-1/2" (89 mm) de ancho) los agujeros de bolsillo deben colocarse entre 5/8" (16 mm) y 1-1/2" (38 mm) del borde de la pieza de trabajo y después cada 6" (152 mm) y 8" (203 mm).
- Utilizar las marcas de centrado de la tabla (letras A, B, o C) para centrar dos agujeros de bolsillo en la pieza de trabajo que vayan de 1-1/4" (32 mm) a 3-1/2" (89 mm) de ancho. Consultar la tabla a continuación para obtener detalles sobre el rango de los tamaños.



Ancho de la tabla	Marca central	Guía de perforación
1-1/4" (32 mm) a 1-3/4" (45 mm)	C	2 y 3
1-3/4" (45 mm) a 2-3/8" (60 mm)	A	1 y 2
2-3/8" (60 mm) a 3-1/2" (89 mm)	B	1 y 3

b. Cuando se esté satisfecho con la posición de la pieza de trabajo en la plantilla, proceder con el paso 4.

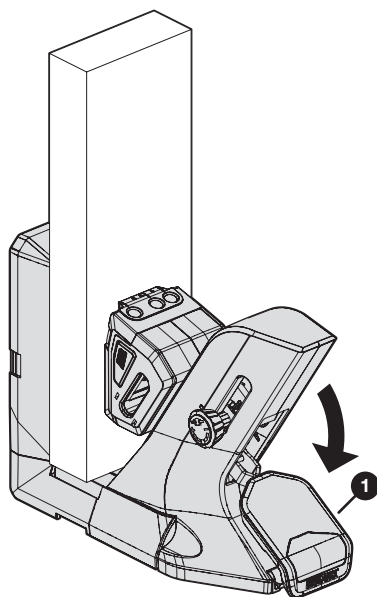
4 Sujetar la pieza de trabajo

- a. Presionar hacia abajo el mango de la plantilla (1) con un movimiento suave hasta que el mango de la plantilla (1) esté en su límite de recorrido.

Nota Si se tiene dificultad para presionar el mango de la plantilla (1) hasta su límite de recorrido, disminuir* la presión de sujeción.

- b. Comprobar si la pieza está bien sujeta en la plantilla; aumentar* la presión de sujeción, si es necesario.

Nota Aumentar la presión de sujeción si no se sujeta la pieza de trabajo tan firmemente como desea, si se detecta movimiento en la pieza de trabajo o si se está utilizando un accesorio de guía de perforación del cortador de tapones.



* Consultar **Presión de sujeción regulable** en la página 92.

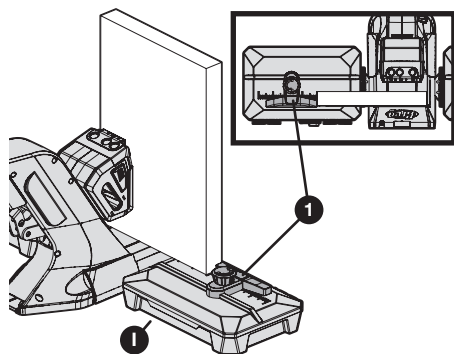
5 Opcional: Fijar el tope regulable

Nota El tope regulable permite perforar agujeros de bolsillo en piezas de trabajo similares a un ritmo más rápido. El tope regulable es un accesorio que se incluye con la estación de acoplamiento. Si no se usa la estación de acoplamiento, saltar este paso y proceder con el paso 6.

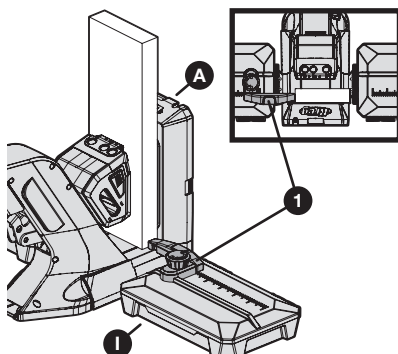
- a. Si es necesario, cambiar la configuración del tope regulable para acomodar el tamaño y la orientación de la pieza en la plantilla:
- **Pieza de trabajo ancha:** Si la pieza es lo suficientemente ancha como para extenderse en la parte superior de una aleta de soporte de material (I), utilizar el tope regulable (1) en su configuración *centrada*.
 - **Pieza de trabajo estrecha:** Si la pieza no se extiende a lo largo del espacio entre la plantilla y la aleta de soporte del material (I), utilizar el tope regulable (1) en una configuración *lateral*.

Nota Para una configuración lateral, utilizar la muesca exterior del brazo de tope regulable que esté más alejada de la plantilla después de colocar el tope regulable (1) en una aleta de soporte del material (I).

Nota Para obtener indicaciones sobre cómo cambiar la configuración, consultar **Fijar el brazo de tope regulable a la base de tope regulable** en la página 99.

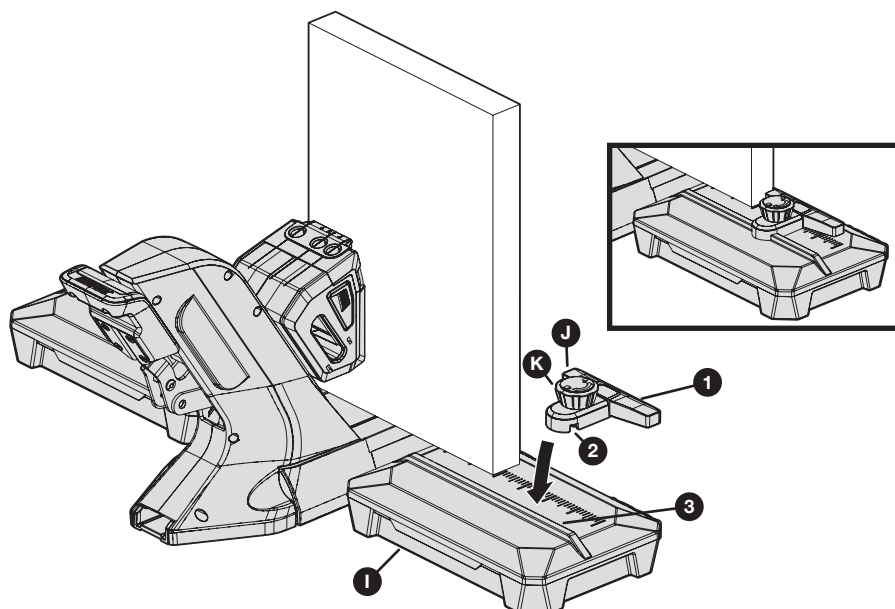


Tope regulable (1) en la configuración centrada para una pieza de trabajo ancha



Tope regulable (1) en la configuración lateral para una pieza de trabajo estrecha

- b. Colocar el tope regulable (1) en la tapa de una aleta de soporte de material (l) de forma que:
- El borde del brazo de tope regulable (J) descansa firmemente sobre la pieza de trabajo.
 - La muesca (2) en la parte inferior de la base de tope regulable encaje sobre la guía (3) que atraviesa la tapa de la aleta de soporte del material (l).
- c. Girar la perilla de tope regulable (K) en el sentido de las agujas del reloj hasta apretarla para fijar el tope regulable (1) en su posición.

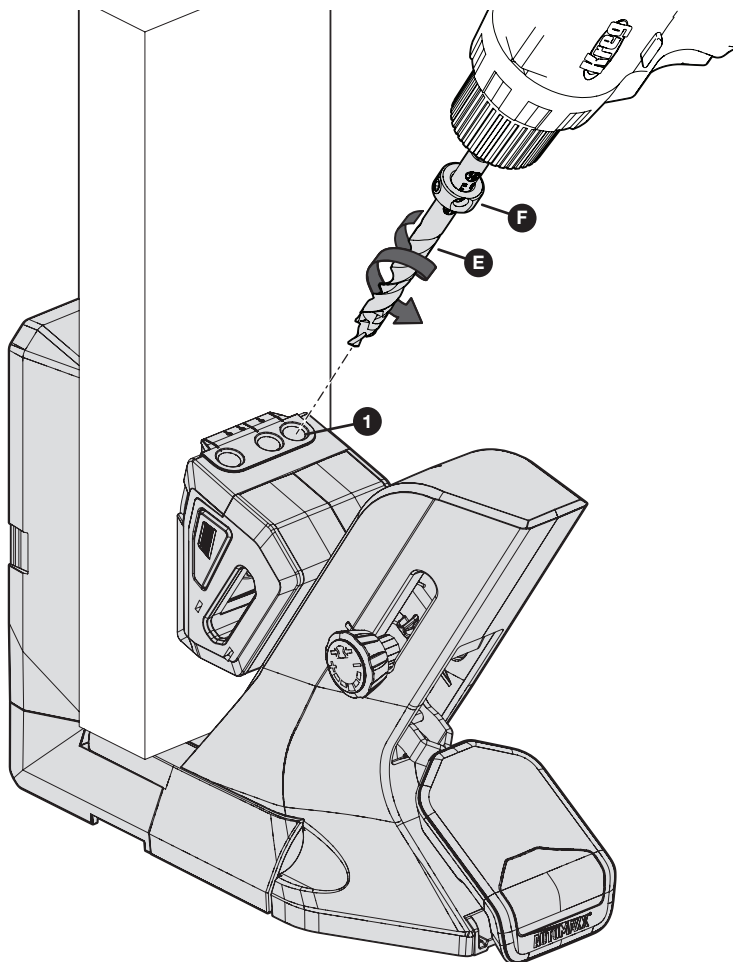


Nota Para reposicionar o quitar el tope regulable (1), girar la perilla de tope regulable (K) en sentido contrario a las agujas del reloj para aflojarla. A continuación, deslizar el tope regulable (1) a una nueva posición a lo largo de la guía (3) o levantarlo de la aleta de soporte del material (l).

6 Perforación de los agujeros de bolsillo

ADVERTENCIA Al perforar, asegurarse siempre de que la pieza de trabajo esté bien sujeta y que el mango de la plantilla se ha presionado hacia abajo hasta su límite de recorrido.


- Colocar la broca preparada (E) con el limitador de profundidad (F) en el taladro.
- Colocar la broca (E) en la guía de perforación (1) y encender el taladro antes de ponerlo en contacto con la pieza de trabajo para confirmar que la broca gira correctamente.
- Perforar hasta que el limitador de profundidad (F) no avance más debido al contacto que se produce entre el limitador de profundidad (F) y la guía de perforación (1). Retirar la broca (E) de la guía de perforación (1) mientras la broca sigue girando.
- Cuando se termine de perforar el agujero de bolsillo, levantar el mango de la plantilla para liberar la presión de la sujeción; a continuación retirar la pieza de trabajo.




Funcionamiento - Perforar y pasar los tornillos de agujeros de bolsillo

Para obtener el mejor resultado, seguir las indicaciones al perforar y pasar los tornillos de agujeros de bolsillo:

- Usar el tamaño de tornillo correcto según esta tabla:

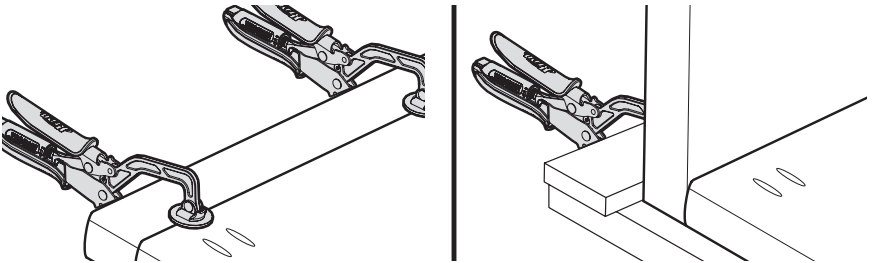
Grosor del material medido	Limitador de profundidad de fácil colocación	Ajuste del grosor del material	Longitud del tornillo
Rango 1/2	1/2	Automático	1" (25 mm)*
Rango 3/4	3/4		1-1/4" (32 mm)
	3/4		1-1/2" (38 mm)
Rango 1-1/2	1 1/2		2-1/2" (64 mm)

* Se recomienda un tornillo de 1" (25 mm) para la mayoría de las aplicaciones. Sin embargo, si la pieza de trabajo se encuentra en la parte inferior del rango podría ser necesario un tornillo de 3/4" (19 mm) para evitar que la punta del tornillo sobresalga.

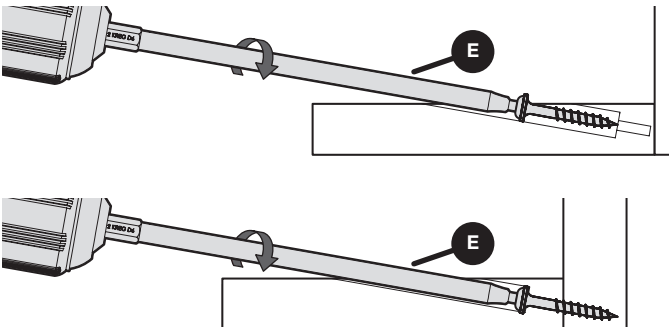
Nota Si el grosor del material se encuentra dentro del rango , utilizar las mismas técnicas de configuración que para el rango 3/4" (19 mm) con un tornillo de 1-1/2" (38 mm). Para más información sobre la selección de los tornillos, visitar www.Kregtool.com/Screws o simplemente escanear el código QR que aparece en el lateral del paquete de tornillos de muestra.

- Ajustar las juntas en su lugar para asegurar un mejor acabado. Estos ejemplos muestran las juntas de la superficie y las del borde.

ADVERTENCIA Al perforar, asegurarse siempre de que la pieza de trabajo esté bien sujeta.



- Colocar el tornillo en la punta del destornillador (E), colocar el tornillo en el agujero de bolsillo, y ajustar el tornillo hasta que esté completamente colocado sin sobrecargarlo.



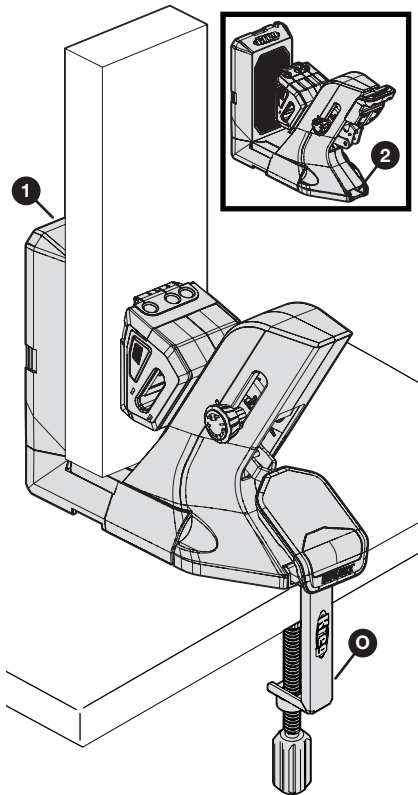
Uso de la plantilla de Kreg

La plantilla de Kreg se ha diseñado para trabajar tanto con orientación vertical como con orientación horizontal para acomodar la pieza de trabajo.

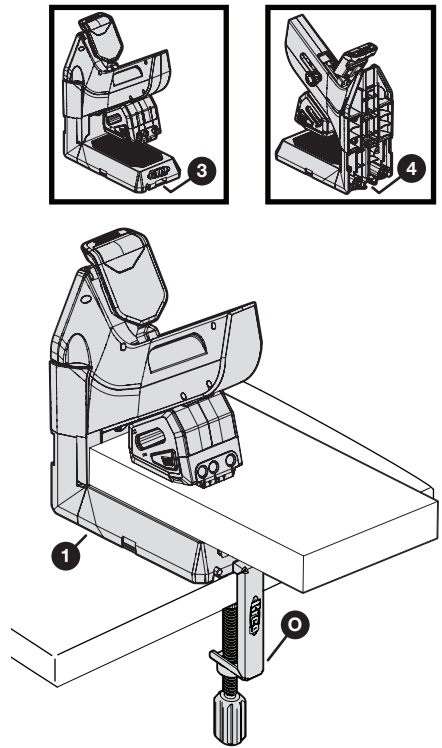
Para cambiar de una orientación a otra, simplemente hay que girar la plantilla 90 grados.

En cualquiera de las dos orientaciones, se puede usar la abrazadera de plantilla de agujero de bolsillo (O) para asegurar la plantilla en su sitio en el banco de trabajo.

Orientación	Descripción	Opciones de posición de la abrazadera
Vertical	El lado de almacenamiento de herramientas (1) es vertical	Una posición de la abrazadera disponible (2)
Horizontal	El lado de almacenamiento de herramientas (1) está hacia abajo	Dos posiciones de la abrazadera disponibles (3, 4)



Vertical



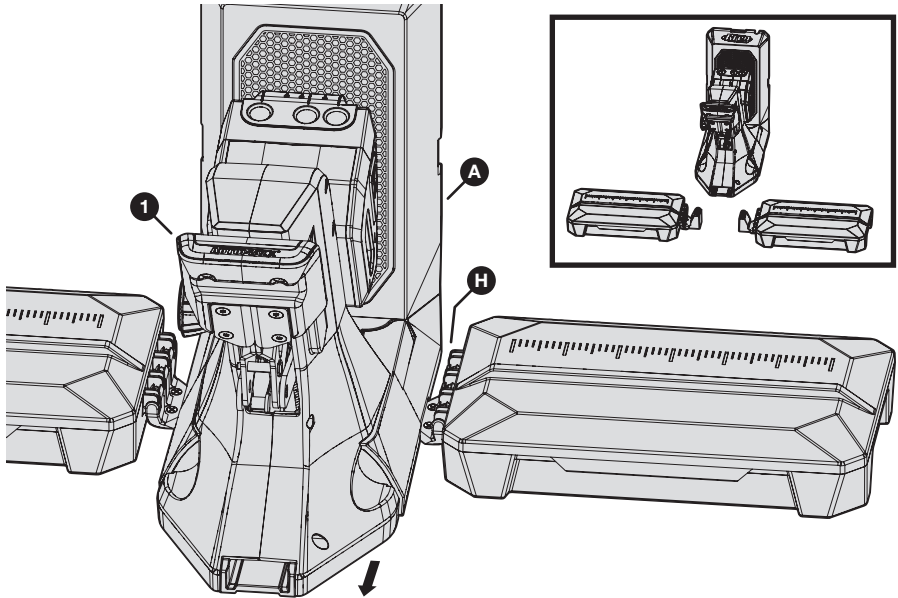
Horizontal

Quitar la plantilla de la estación de acoplamiento

Si se usa la plantilla de la serie 700 con la estación de acoplamiento opcional, se puede retirar la plantilla de la estación de acoplamiento en cualquier momento.

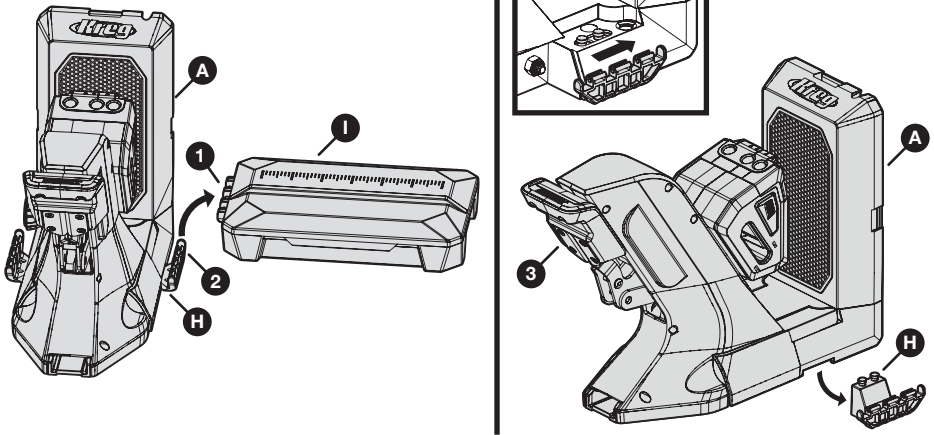
Quitar una plantilla Kreg de la serie 700 de una estación de acoplamiento montada

Con el mango de la plantilla (1) orientado hacia el usuario, deslizar la plantilla (A) hacia este hasta que la plantilla se desenganche de los adaptadores de acoplamiento (H). A continuación, levantar la plantilla (A) de los adaptadores de acoplamiento (H).



Quitar una plantilla Kreg de la serie 700 de una estación de acoplamiento no montada

- a. Separar cada aleta de soporte del material (I):
 1. Agarrar la aleta de soporte del material (I) cerca de donde se conecta con el adaptador de acoplamiento (H).
 2. Levantar con cuidado la aleta de soporte del material (I) para que el conector de la aleta de soporte del material (1) salga del conector del adaptador de acoplamiento (2).
- b. Para el adaptador de acoplamiento (H) en cada lado de la plantilla (A):
 1. Elevar ese lado de la plantilla (A) ligeramente de la superficie de trabajo.
 2. Con el mango de la plantilla (3) orientado hacia el usuario, deslizar el adaptador de acoplamiento (H) en sentido contrario al usuario hasta que el adaptador de acoplamiento (H) se desenganche de la ranura en la parte inferior de la plantilla (A).
 3. Sacar el adaptador de acoplamiento (H) de la parte inferior de la plantilla (A).



Mantenimiento

Aplicar regularmente un lubricante ligero a la articulación móvil del mango.

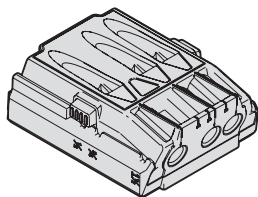
Cuidado y limpieza

Limpiar periódicamente la herramienta aspirando las virutas y el polvo de madera.

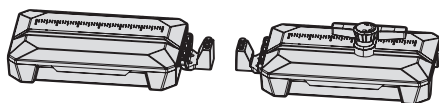
Utilizar un paño húmedo para limpiar el polvo y los residuos de las superficies de la almohadilla antideslizante SureGrip™.

Accesorios

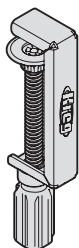
Guía de perforación micro de Kreg KPHA730



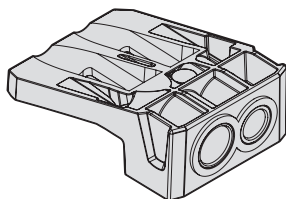
Estación de acoplamiento para plantilla de agujeros de bolsillo KPHA750



Abrazadera de banco de Kreg KPHA760



Guía de perforación del cortador de tapones KPHA740





EXPLORA. CONSTRUYE. COMPARTE.

Somos constructores como tú.
Por eso nos encanta ver en qué estás trabajando.
¡Comparte con la comunidad e inspírate!

#madewithKreg

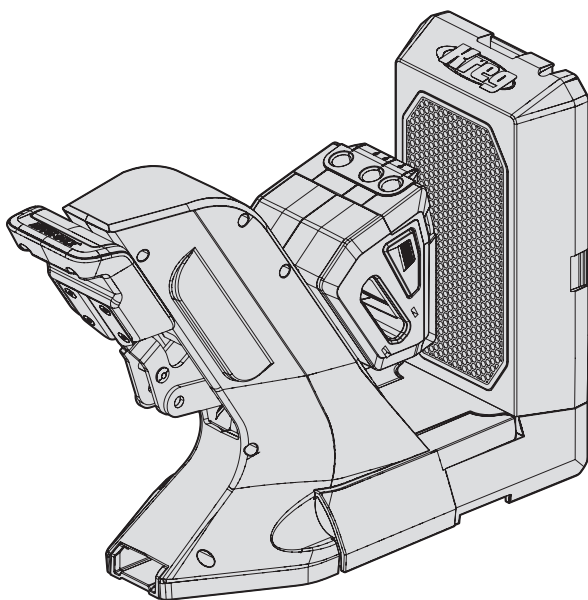
Obtén planes gratuitos, recursos para proyectos y más.
kregtool.com y buildsomething.com

BENUTZERHANDBUCH



Kreg Sackloch-Bohrvorrichtung Serie 700

Dieses Handbuch gilt für alle Sackloch-Bohrvorrichtungen der Serie 700



WARNUNG Benutzer müssen die Anweisungen und Sicherheitsvorkehrungen in diesem Handbuch lesen und befolgen. Eine Nichtbeachtung kann zu schweren Verletzungen führen. Bewahren Sie die Bedienungsanleitung zum späteren Nachschlagen auf.

Wir sind hier, um Sie zu unterstützen.

Unser Wunsch ist es, Ihr Bauprojekt zu einem herausragenden Erlebnis zu machen. Bei Fragen oder wenn Sie Unterstützung benötigen, setzen Sie sich bitte mit uns in Verbindung. 1-800-447-8638 | technicalsupport@kregtool.com

Teilen Sie uns bitte Ihre Erfahrungen mit.

Ihre Meinung zählt. Und wir suchen immer nach Möglichkeiten, uns zu verbessern. Senden Sie uns Ihr Feedback, damit wir weiterhin für Sie Entwicklungsarbeit leisten und innovativ sein können.

www.kregtool.com/feedback

Inhaltsverzeichnis

Sicherheitsvorkehrungen	112	Verwendung Ihrer	
Vormontage	113	Kreg-Bohrvorrichtung.	128
Produktbeschreibung	113	Entfernen der Bohrvorrichtung	
Integrierte Werkzeugaufbewahrung	114	aus der Andockstation	129
Einstellbarer Klemmdruck.	114	Kreg Bohrvorrichtung der Serie 700	
Verlängerungsflügel	115	aus einer montierten Andockstation	
Befestigungsmöglichkeit	115	entfernen	129
Zubehör für die Staubabscheidung	116	Kreg Bohrvorrichtung der Serie	
Montage der Andockstation	117	700 aus einer nicht befestigten	
Betrieb - Sacklöcher bohren	122	Andockstation entfernen	130
Betrieb - Bohren und		Wartung	131
Sacklochschrauben eindrehen	127	Pflege und Reinigung	131
		Zubehör	131

Sicherheitsvorkehrungen

WARNUNG Lesen und befolgen Sie vor dem Einsatz eines Elektrowerkzeugs mit diesem Produkt zusätzlich zu den unten aufgeführten Sicherheitsvorkehrungen die Anweisungen und Sicherheitsvorkehrungen des Werkzeugherstellers, um das Risiko einer schweren Verletzung durch Gefahren wie Feuer, elektrischen Schlag oder durch den rotierenden Bohraufsatz zu minimieren.

- Tragen Sie immer die vom Hersteller des von Ihnen verwendeten Elektrowerkzeugs empfohlene persönliche Schutzausrüstung wie Augen-, Gehör- und Atemschutz.
- Der Bohraufsatz ist scharf. Mit Vorsicht handhaben.
- Lassen Sie nicht zu, dass durch den häufigen Gebrauch Ihrer Werkzeuge entstandene Gewohnheiten sichere Arbeitsweisen ersetzen. Ein Moment der Unachtsamkeit reicht aus, um schwere Verletzungen zu verursachen.
- Vermeiden Sie ungünstige Handhaltungen, bei denen ein plötzliches Abrutschen zu einem Kontakt mit dem rotierenden Bohraufsatz führen könnte.
- Achten Sie beim Bohren immer darauf, dass das Werkstück sicher eingespannt ist. Es ist gefährlich, ein Werkstück mit der Hand festzuhalten.

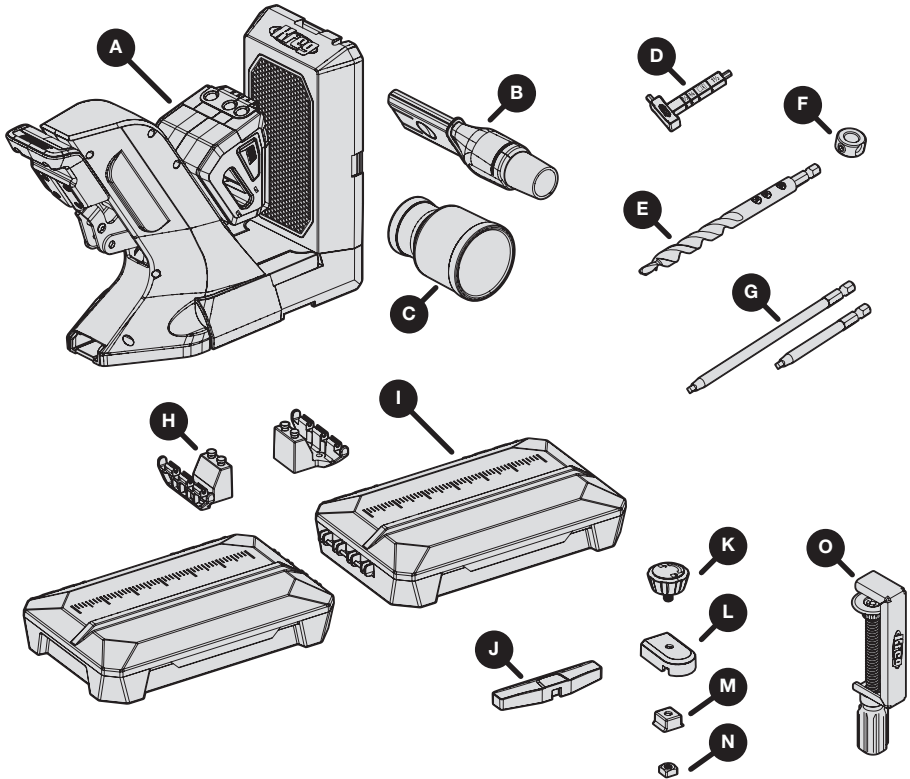
WARNUNG Betreiben Sie dieses Gerät oder Maschinen jeglicher Art nicht unter dem Einfluss von Drogen, Alkohol oder Medikamenten.

WARNUNG Durch dieses Produkt können Sie Chemikalien einschließlich Acrylnitril und anderen Chemikalien ausgesetzt werden, die nach der Einstufung im Bundesstaat Kalifornien als krebserregend gelten und die Fortpflanzungsfähigkeit beeinträchtigen können. Weitere Informationen hierzu finden Sie auf www.P65Warnings.ca.gov.

Vormontage

Lesen Sie diesen Abschnitt, bevor Sie beginnen. Vergewissern Sie sich, dass Sie alle Werkzeuge und Materialien zur Hand haben. Vergleichen Sie die Lieferung mit den im Abschnitt Produktbeschreibung aufgeführten Artikeln. Falls ein Artikel fehlt, dieses Produkt nicht verwenden. Wenden Sie sich an den technischen Kundendienst oder geben Sie das Produkt an den Händler zurück, bei dem Sie es gekauft haben.

Produktbeschreibung



Artikel	Beschreibung
A	KPHJ720 Bohrvorrichtung
B	Staubabscheideklinge
C	Staubschutzadapter
D	Materialdickmessgerät/Inbusschlüssel
E	Einfach einzubauender Sackloch-Bohrer
F	Einfach verstellbare Anschlaghülse
G	Schraubendreher (3" und 6" / 76 mm und 152 mm)

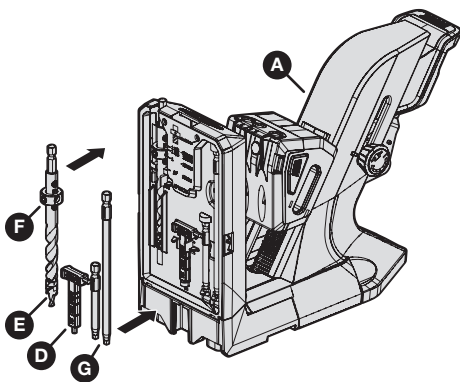
Artikel	Beschreibung
H ¹	Dockadapter für KPHJ720 (2)
I ¹	Materialauflageflügel (2)
J ¹	Verstellbarer Anschlag Arm
K ¹	Verstellbarer Anschlag Feststellknopf
L ¹	Verstellbarer Anschlag Sockel
M ¹	Verstellbarer Anschlag Sockelkeil
N ¹	Verstellbarer Anschlag Vierkantmutter
O ¹	KPHA760 Klemme für Sackloch-Bohrvorrichtung

¹ Diese Teile der KPHA750 Andockstation für die Sackloch-Bohrvorrichtung sind in der KPHJ720PRO Lieferung enthalten.

Integrierte Werkzeugaufbewahrung

Die KPHJ720 Bohrvorrichtung (A) bietet einen integrierten Werkzeughalter für diese Artikel:

- Einfach einzubauender Sackloch-Bohrer (E) mit angebrachter einfach verstellbarer Anschlaghülse (F)
- Materialdickenmessgerät/ Inbusschlüssel (D)
- 3" (76 mm) und 6" (152 mm) Schraubendreheraufsätze (G)

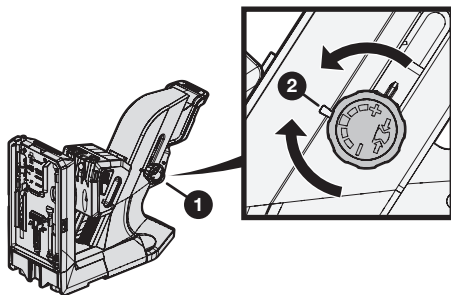


Einstellbarer Klemmdruck

Ein Knopf (1) auf der Seite der KPHJ720 Bohrvorrichtung ermöglicht es, den auf das Werkstück ausgeübten Klemmdruck zu erhöhen oder zu verringern. Es sind fünf Druckeinstellungen verfügbar. Die Bohrvorrichtung wird werkseitig mit mittlerem Klemmdruck ausgeliefert.

Um den Klemmdruck anzupassen:

- Den Griff der Bohrvorrichtung ganz nach oben anheben, um den Klemmdruck abzulassen.
- Den Klemmdruck-Einstellknopf (1) um einen Klick in die gewünschte Richtung drehen:
 - Im Uhrzeigersinn, um den Druck zu verringern
 - Gegen den Uhrzeigersinn, um den Druck zu erhöhen
- Den Klemmdruck an einem Testwerkstück erneut aufbringen. Hierfür den Griff der Bohrvorrichtung in einer fließenden Bewegung bis zum Anschlag nach unten drücken.
- Diesen Vorgang bei Bedarf wiederholen, bis Sie mit dem Klemmdruck zufrieden sind.



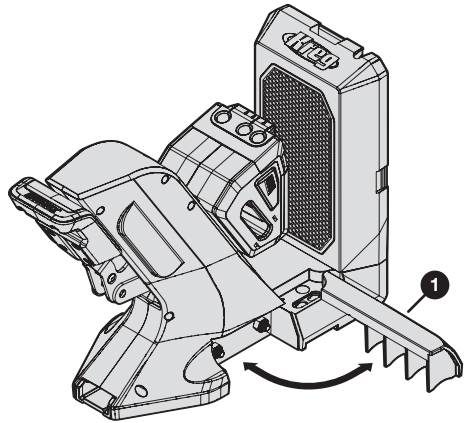
Hinweis

- Die Bohrvorrichtung ist auf minimalen Klemmdruck eingestellt, wenn das "Minus"-Zeichen auf dem Klemmdruck-Einstellknopf (1) mit der Auswahlmarkierung (2) übereinstimmt.
- Die Bohrvorrichtung ist auf maximalen Klemmdruck eingestellt, wenn das "Plus"-Zeichen auf dem Klemmdruck-Einstellknopf (1) mit der Auswahlmarkierung (2) übereinstimmt.

Verlängerungsflügel

Die KPHJ720 Bohrvorrichtung hat zwei Verlängerungsflügel, einen (1) auf jeder Seite des Sockels der Bohrvorrichtung. Sie können einen oder beide Flügel um 90 Grad nach außen drehen, um zusätzliche Stabilität und Materialauflage zu gewährleisten.

Hinweis Wenn Sie die optionale Andockstation mit der Bohrvorrichtung verwenden, nutzen Sie anstelle der hier gezeigten Verlängerungsflügel die Materialstützflügel der Andockstation. Siehe **Montage der Andockstation** auf Seite 117.



Befestigungsmöglichkeit

Falls gewünscht, kann die KPHJ720 Bohrvorrichtung zur Erhöhung der Stabilität auf der Arbeitsfläche befestigt werden.

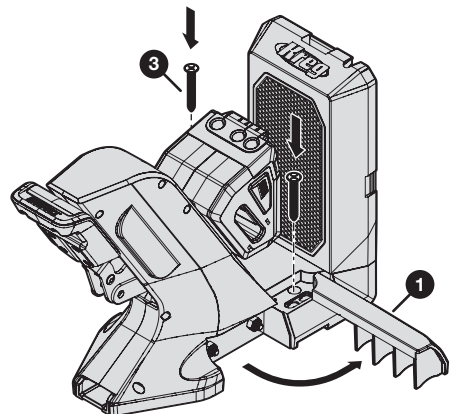
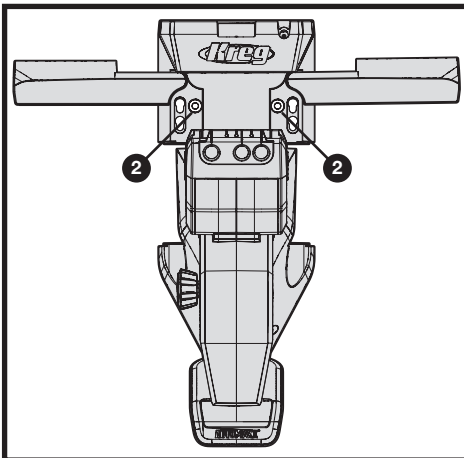
Hinweis Diese Anleitungen gelten für eine Bohrvorrichtung, die *ohne* die optionale Andockstation verwendet wird.

- Platzieren Sie die Bohrvorrichtung in der gewünschten Position auf Ihrer Werkbank.
- Den Verlängerungsflügel (1) auf jeder Seite der Bohrvorrichtung um 90 Grad ausschwenken.

Zwei Befestigungslöcher (2) sind nun zugänglich (ein Loch auf jeder Seite der Bohrvorrichtung).

- Schrauben Sie eine Kreg-Sacklochschaube (3) durch jedes Befestigungsloch (2).

Hinweis Sie können Kreg-SML-C125-Schrauben oder jede andere Kreg-Sacklochschaube verwenden.



Zubehör für die Staubabscheidung

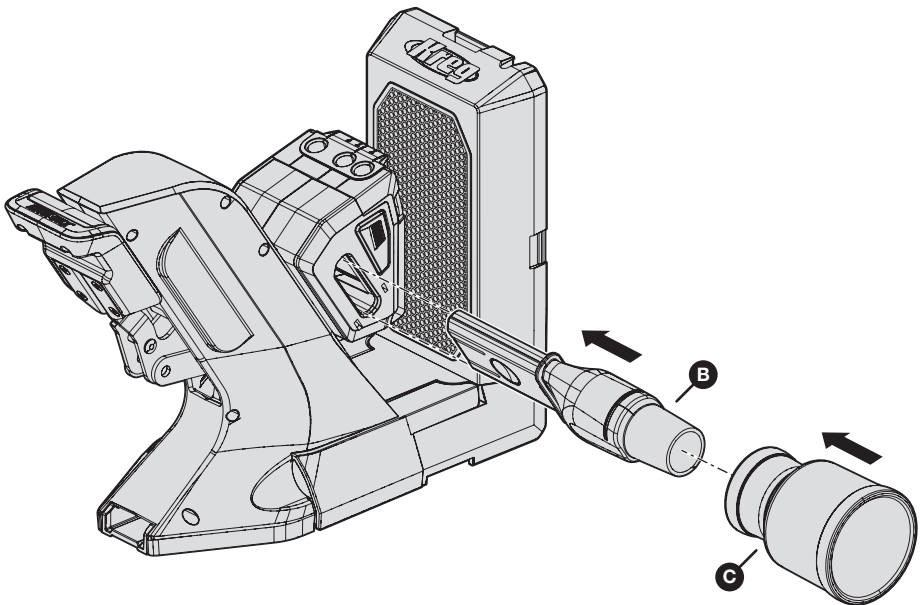
Das mitgelieferte Zubehör zur Staubabscheidung kann zum Auffangen von Staub beim Bohren verwendet werden.

So befestigen Sie das Zubehör für die Staubabscheidung:

- Falls dies für den von Ihnen verwendeten Schlauchdurchmesser erforderlich ist, befestigen Sie den Staubschutzadapter (C) am breiten Ende der Staubabscheideklinge (B).

Schlauchdurchmesser	Staubschutzadapter erforderlich?
1-1/4" (32 mm)	Nein
1-7/8" (48 mm)	Nein
2-1/2" (64 mm)	Ja

- Das schmale Ende der Staubabscheideklinge (B) in die linke oder rechte Seite der Bohrvorrichtung einführen.



Hinweis Sie können die Staubabscheideklinge und den Staubschutzadapter an der Bohrvorrichtung befestigt lassen, wenn die Bohrvorrichtung nicht in Gebrauch ist.

Montage der Andockstation

In diesem Abschnitt wird beschrieben, wie die im Lieferumfang von KPHJ720PRO enthaltene Andockstation montiert wird. Sie können die Andockstation auch separat erwerben (siehe **Zubehör** auf Seite 131).

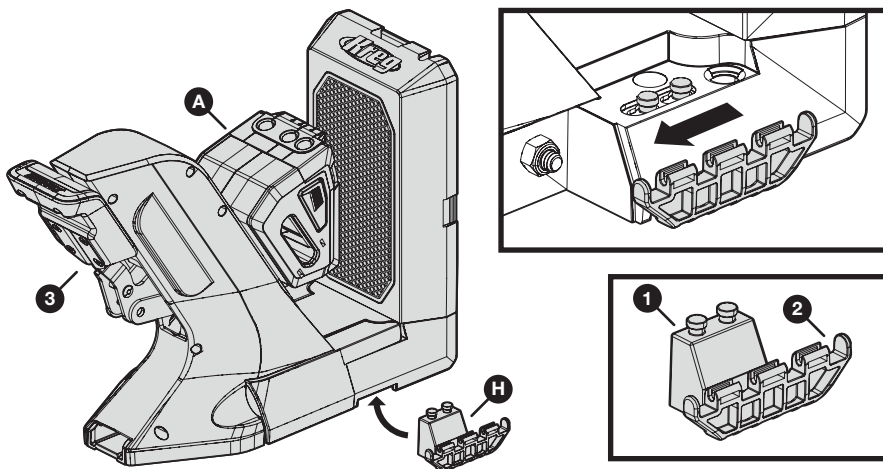
Hinweis Wenn Sie keine Andockstation verwenden, überspringen Sie diesen Abschnitt und gehen Sie zum Abschnitt **Betrieb - Sacklöcher bohren** auf Seite 122.

1 Dockadapter mit der Bohrvorrichtung verbinden

- Die KPHJ720 Bohrvorrichtung (A) auf eine flache Unterlage platzieren.
- Mit einer Hand eine Seite der Bohrvorrichtung (A) leicht anheben.
- Mit der anderen Hand einen Dockadapter (H) unter die Bohrvorrichtung (A) legen, so dass die Befestigungsstifte (1) in das entsprechende Loch an der Unterseite der Vorrichtung (A) passen; dann den Dockadapter (H) in Richtung des Griffs der Bohrvorrichtung (3) schieben, um den Dockadapter (H) in seiner Position zu verriegeln.

Hinweis Eine Seite eines Dockadapters (H) hat Befestigungsstifte (1), die unter die Bohrvorrichtung passen; die andere Seite hat einen Anschluss (2) für einen Materialauflageflügel (nicht abgebildet). Stellen Sie sicher, dass die Seite des Dockadapters (H) mit dem Verbindungsstück für den Auflageflügel (2) seitlich aus der Bohrvorrichtung (A) herausragt.

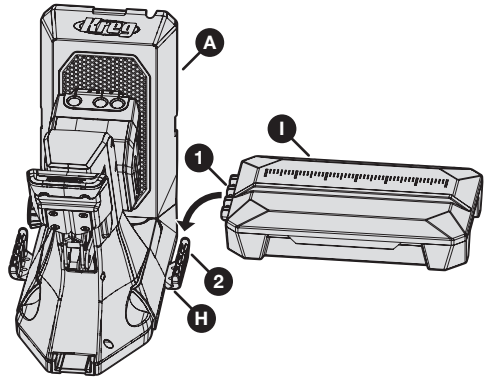
- Die Schritte b und c wiederholen, um den anderen Dockadapter (H) auf der gegenüberliegenden Seite der Bohrvorrichtung (A) anzuschließen.



2 Die Materialauflageflügel mit den Dockadaptern verbinden

Tipp Die Auflageflügel für Werkstücke dienen auch als Aufbewahrungsbehälter.

- Einen der Materialauflageflügel (I) mit der Oberseite nach oben halten (sodass der Deckel der Aufbewahrungsbox nach oben zeigt und sich von Ihnen weg öffnet).
- Das Verbindungsstück (1) an der Seite des Materialauflageflügels (I) mit dem Verbindungsstück (2) am Dockadapter (H) ausrichten, der seitlich aus der Bohrvorrichtung (A) herausragt; dann den Auflageflügel (I) fest nach unten drücken, so dass die Verbindungsstücke einrasten.



Hinweis Die Riegel am Verbindungsstück (1) des Materialauflageflügel rasten in die Nuten des Verbindungsstücks am Dockadapter (2) ein.

- Diese Schritte wiederholen, um den anderen Materialauflageflügel (I) mit dem Dockadapter (H) auf der gegenüberliegenden Seite der Bohrvorrichtung (A) zu verbinden.

Hinweis Die Materialauflageflügel können in die vertikale Position geklappt werden, um Platz zu sparen, wenn die Bohrvorrichtung nicht in Gebrauch ist, oder um das Umsetzen der Vorrichtung an einen anderen Ort zu erleichtern. Vor dem Einsatz der Bohrvorrichtung die Materialauflageflügel immer nach unten klappen.

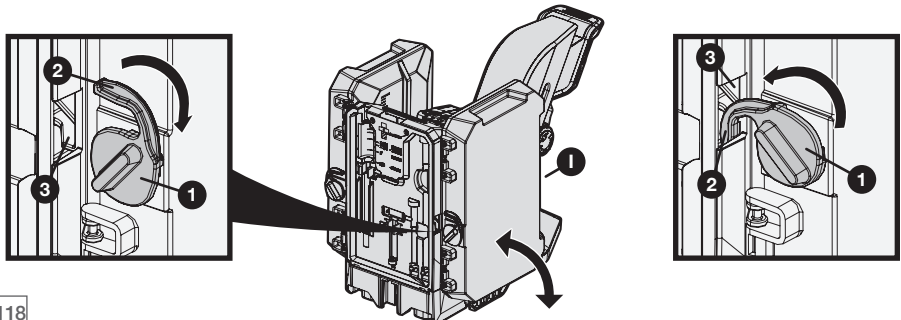
Hinweis Wenn Sie das Zubehör für die Staubabscheidung verwenden (Seite 116), müssen Sie diese von der Bohrvorrichtung entfernen, um die Materialauflageflügel hochzuklappen.

Zum Hochklappen der Materialauflageflügel:

- Den Materialauflageflügel (I) in eine vertikale Position klappen.
- Die Flügelverriegelung (1) nach innen drehen, bis der Riegel (2) sicher in der Kerbe (3) an der Seite der Bohrvorrichtung einrastet.

Zum Herunterklappen der Materialauflageflügel:

- Die Flügelverriegelung (1) nach außen drehen, bis sich der Riegel (2) aus der Kerbe (3) an der Seite der Bohrvorrichtung löst:
- Den Flügel der Materialauflage (I) nach unten in eine horizontale Position klappen.

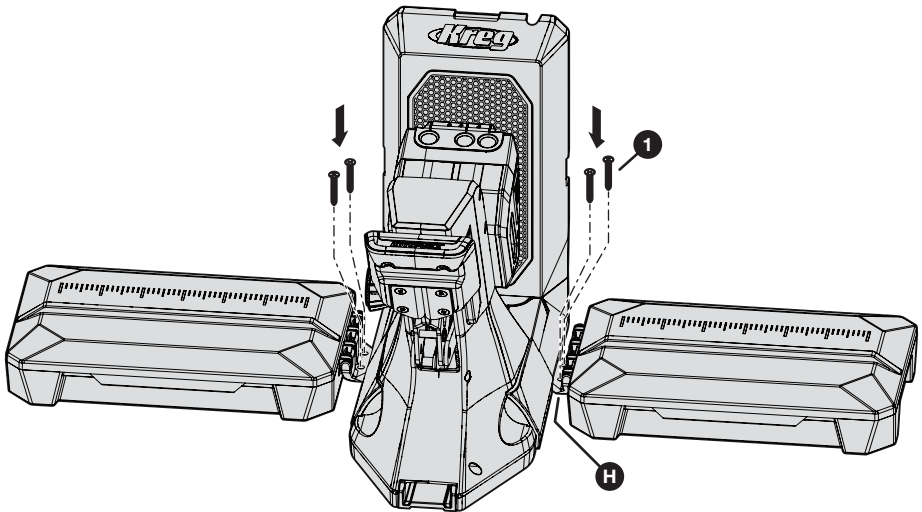
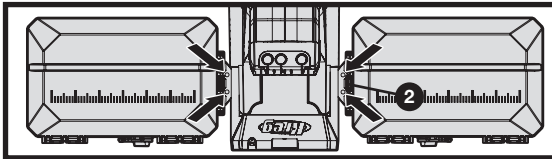


3 Optional: Die Dockadapter an einer Arbeitsfläche befestigen

Falls gewünscht, können die Dockadapter zur Erhöhung der Stabilität auf der Arbeitsfläche befestigt werden.

- Hierfür die Andockstation (mit angebrachter Bohrvorrichtung der Serie 700) in der gewünschten Position auf Ihrer Werkbank platzieren.
- Durch jedes der vier Befestigungslöcher (2) in den Dockadaptern (H) eine Kreg-Sacklochschraube (1) schrauben.

Hinweis Sie können Kreg-SML-C125-Schrauben oder jede andere Kreg-Sacklochschraube verwenden.



4 Sockel des verstellbaren Anschlags zusammenfügen

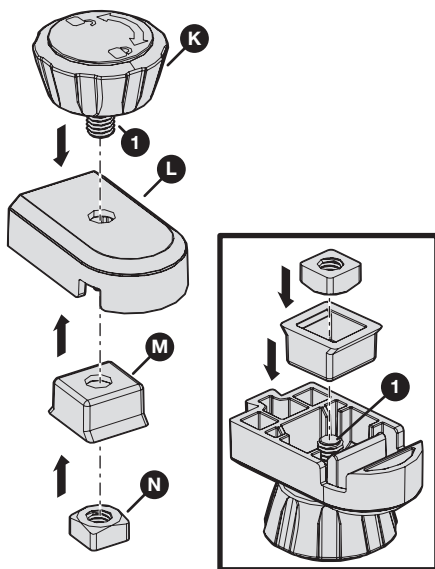
Die Andockstation ist mit einem verstellbaren Anschlag ausgestattet, der an jedem der Materialauflageflügel befestigt werden kann. Der verstellbare Anschlag erleichtert das Erzielen wiederholbarer Ergebnisse, wenn viele Teile den gleichen Sacklochabstand erfordern.

Hinweis Der verstellbare Anschlag besteht aus zwei Teilen: dem Sockel des verstellbaren Anschlags, dessen Montage in diesem Schritt erfolgt; und dem Arm des verstellbaren Anschlags, der in verschiedenen Positionen am Sockel des verstellbaren Anschlags befestigt werden kann (siehe Schritt 5).

- Die Schraube (1) des verstellbaren Anschlagknopfes (K) in das Loch oben auf dem Sockel des verstellbaren Anschlags (L) einführen.
- Den Anschlagknopf (K) in Position halten und den Sockel des verstellbaren Anschlags (L) auf den Kopf drehen, so dass die Schraube (1) nach oben zeigt.
- Den Sockelkeil des verstellbaren Anschlags (M) auf die Schraube (1) fallen lassen, wobei die geflanschte Seite des Keiles nach oben zeigt.

Hinweis Der Sockelkeil (M) sollte bündig mit dem Sockel des verstellbaren Anschlags (L) abschließen. Falls er nicht bündig ist, den Sockelkeil (M) um 90 Grad drehen.

- Die Vierkantsmutter (N) auf die Schraube (1) legen; dann den Anschlagknopf (K) drehen, bis die Vierkantsmutter (N) handfest angezogen ist.

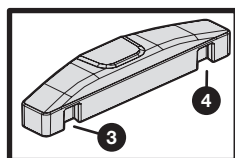
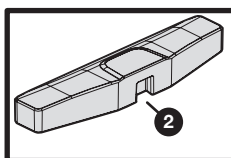
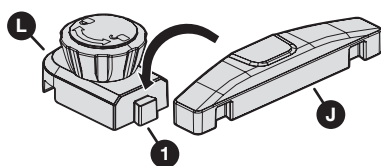


5 Den Arm des verstellbaren Anschlags am Sockel befestigen

Eine Kerbe im Arm des verstellbaren Anschlags (J) über den Vorsprung (1) auf dem Anschlagsockel (L) nach unten schieben, bis der Arm (J) vollständig auf dem Vorsprung (1) sitzt.

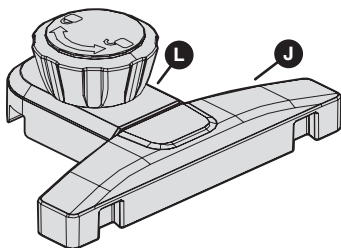
Hinweis Der Arm des verstellbaren Anschlags (J) verfügt über drei Kerben: eine Mittelkerbe (2) auf einer Seite und zwei äußere Kerben (3, 4) auf der gegenüberliegenden Seite. Verwenden Sie die entsprechende Kerbe, je nachdem, wie Sie den verstellbaren Anschlag einsetzen möchten.

Hinweis Um die Position des verstellbaren Anschlags zu ändern, den Arm des verstellbaren Anschlags (J) vom Sockel (L) abheben. Dann eine andere Kerbe des Anschlagarms (J) über den Vorsprung (1) am Sockel des verstellbaren Anschlags (L) schieben.



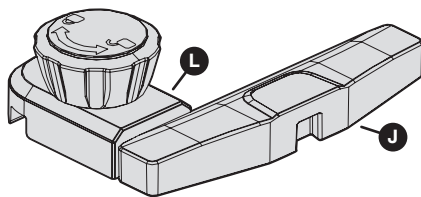
Mittige Anordnung

Die Mittelkerbe des Arms verwenden (2)




Seitenanordnung

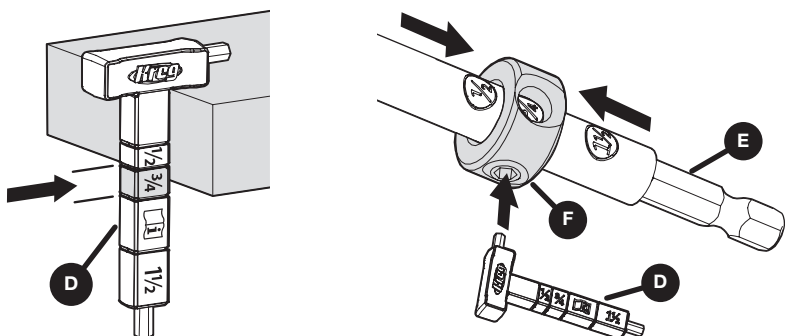
Eine der äußeren Einkerbungen (3, 4) des Arms verwenden, so dass sich der Arm (J) zu einer Seite des Sockels (L) erstreckt



1 Materialstärke bestimmen und Anschlaghülse einstellen

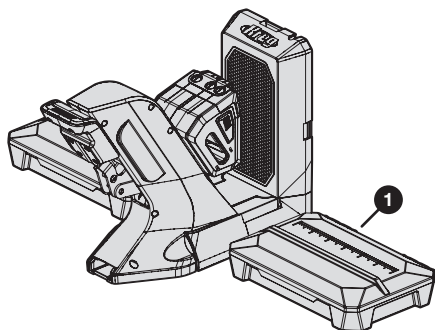
- Das Materialdickenmessgerät (D) für die Bestimmung des Materialdickenbereichs verwenden.
- Die Anschlaghülse (F) einstellen, indem Sie diese auf den Bohrer (E) setzen und das Fenster der Anschlaghülse (F) an den in Schritt a ermittelten Materialdickenbereich anpassen.
- Den im Materialdickenmessgerät (D) integrierten Sechskantschlüssel verwenden, um die Anschlaghülse (F) am Bohrer (E) zu arretieren.

Hinweis Wenn Ihre Materialstärke in den Bereich  fällt, dieselben Einrichtungstechniken wie für den 19 mm-Bereich (3/4") mit einer 38 mm-Schraube (1-1/2") verwenden.

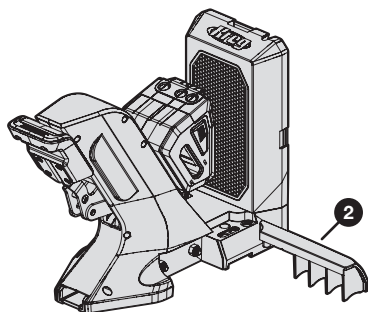


2 Falls zutreffend: Bohrvorrichtung stabilisieren

- **Bei Verwendung der Andockstation:** Beide Materialstützflügel in ihre horizontale Position herunterklappen (1).
- **Wenn keine Andockstation verwendet wird:** Falls gewünscht, können Sie einen oder beide Verlängerungsflügel (2) der Bohrvorrichtung aus der Basis der Bohrvorrichtung herauschwenken, um zusätzliche Stabilität zu gewährleisten.



Mit Andockstation:
Materialstützflügel heruntergeklappt



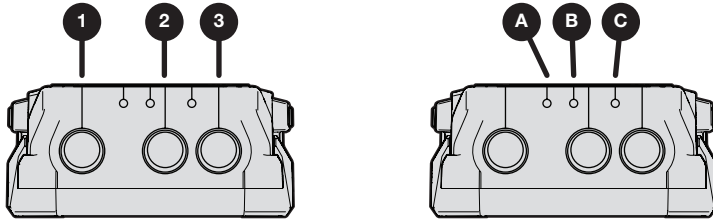
Ohne Andockstation: Ausfahrbare Flügel nach außen geschwenkt

3 Werkstück positionieren

a. Legen Sie Ihr Werkstück in die Bohrvorrichtung und richten Sie es mit der Bohrführung aus.

Hinweis Es gibt zwei verschiedene Methoden, um Ihre Kreg-Bohrvorrichtung mit Ihrem Werkstück auszurichten:

- Die Mittellinie einer beliebigen Sacklochführung (Nummer 1, 2 oder 3) an der gewünschten Stelle auf Ihrem Werkstück ausrichten. Bei breiteren Platten (über 3-1/2" (89 mm) breit) sollten die Sacklöcher 5/8" bis 1-1/2" (16 mm bis 38 mm) von jeder Kante des Werkstücks entfernt platziert werden und dann alle 6" bis 8" (152 mm bis 203 mm).
- Die Brettzentriermarkierungen (Buchstaben A, B oder C) verwenden, um zwei Sacklöcher auf ein Werkstück mit einer Breite von 1-1/4" bis 3-1/2" (32 mm bis 89 mm) zu zentrieren. Siehe die folgende Tabelle für Details zu jedem Größenbereich.



Brettbreite	Mittelstrich	Bohrerführung
1-1/4" bis 1-3/4" (32-45 mm)	C	2 und 3
1-3/4" bis 2-3/8" (45-60 mm)	A	1 und 2
2-3/8" bis 3-1/2" (60-89 mm)	B	1 und 3

b. Wenn Sie mit der Position des Werkstücks in der Bohrvorrichtung zufrieden sind, mit Schritt 4 fortfahren.

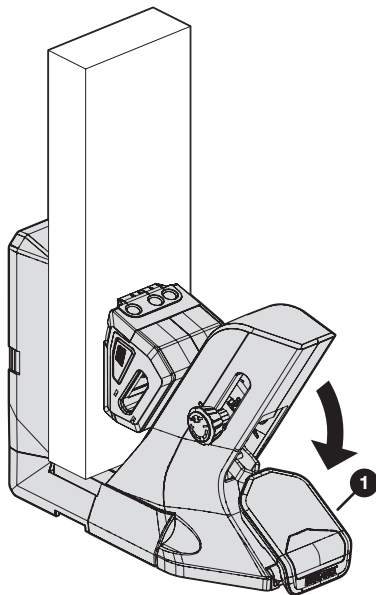
4 Ihr Werkstück festklemmen

- a. Den Griff der Bohrvorrichtung (1) in einer fließenden Bewegung nach unten drücken, bis der Griff (1) den Anschlag erreicht hat.

Hinweis Wenn Sie Schwierigkeiten haben, den Griff der Bohrvorrichtung (1) bis zum Anschlag zu drücken, den Klemmdruck verringern*.

- b. Prüfen Sie, ob Ihr Werkstück sicher in der Bohrvorrichtung gehalten wird; falls erforderlich, den Klemmdruck erhöhen*.

Hinweis Erhöhen Sie den Klemmdruck, wenn die Klemme das Werkstück nicht so sicher festklemmt, wie Sie es wünschen, wenn Sie eine Verschiebung des Werkstücks feststellen oder wenn Sie Bohrführungszubehör für Verschlusszapfenbohrer verwenden.



* Siehe **Einstellbarer Klemmdruck** auf Seite 114.

5 Optional: Verstellbaren Anschlag einstellen

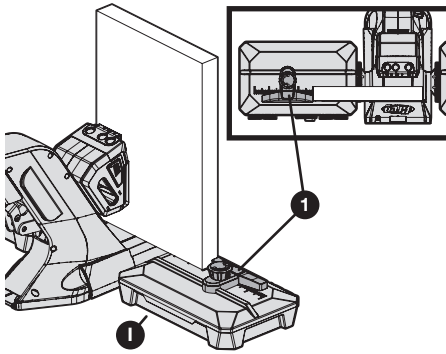
Hinweis Der verstellbare Anschlag ermöglicht es Ihnen, Sacklöcher auf ähnlichen Werkstücken in einem schnelleren Arbeitstempo zu bohren. Der verstellbare Anschlag ist ein Zubehörteil und im Lieferumfang der Andockstation enthalten. Wenn Sie keine Andockstation verwenden, überspringen Sie diesen Schritt und fahren Sie mit Schritt 6 fort.

- a. Ändern Sie bei Bedarf die Position des verstellbaren Anschlags, um ihn an die Größe und Ausrichtung Ihres Werkstücks in der Bohrvorrichtung anzupassen:

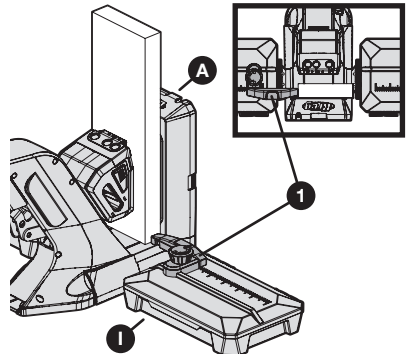
- **Breites Werkstück:** Wenn das Werkstück breit genug ist, um bis auf die Oberseite eines Materialauflageflügels (I) zu reichen, den verstellbaren Anschlag (1) in seiner *zentrierten* Position verwenden.
- **Schmales Werkstück:** Wenn das Werkstück nicht über den Spalt zwischen Bohrvorrichtung und Materialauflageflügel (I) reicht, den verstellbaren Anschlag (1) in einer *seitlichen* Position verwenden.

Hinweis Für eine seitliche Position diejenige äußere Kerbe am Arm des verstellbaren Anschlags verwenden, die weiter von der Bohrvorrichtung entfernt ist, nachdem der verstellbare Anschlag (1) auf einem Materialauflageflügel (I) angebracht wurde.

Hinweis Für eine Anleitung zur Änderung der Position siehe **Den Arm des verstellbaren Anschlags am Sockel befestigen** auf Seite 121.

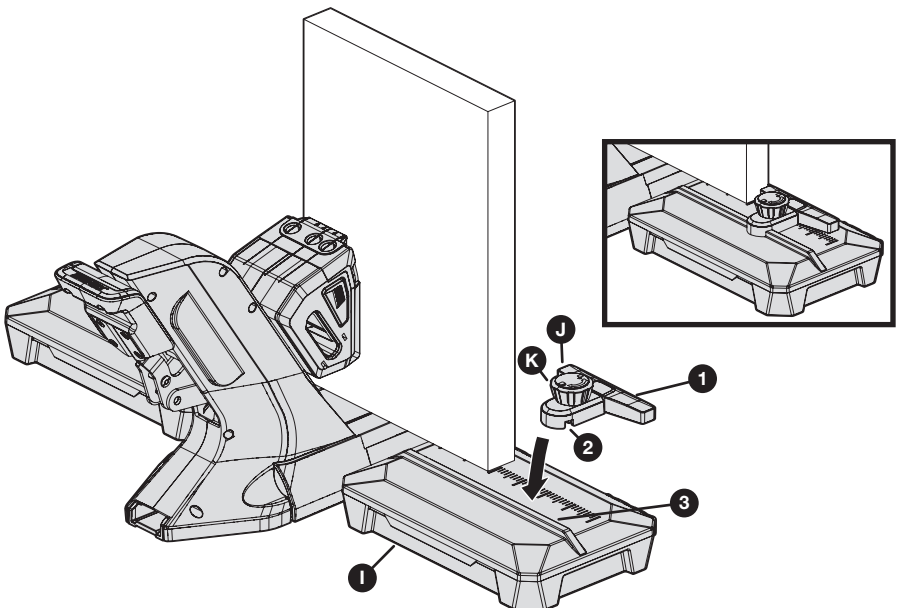


Verstellbarer Anschlag (1) in mittlerer Position für breite Werkstücke



Verstellbarer Anschlag (1) in Seitenposition für schmale Werkstücke

- b. Den verstellbaren Anschlag (1) so auf den Deckel eines Materialauflageflügels (I) aufsetzen, dass:
- die Kante des Arms des verstellbaren Anschlags (J) eng am Werkstück anliegt.
 - Die Kerbe (2) an der Sockelunterseite des verstellbaren Anschlags über die Schiene (3) passt, die über den Deckel des Materialauflageflügels (I) verläuft.
- c. Um den verstellbaren Anschlag (1) in seiner Position zu sichern, den verstellbaren Anschlagknopf (K) im Uhrzeigersinn drehen, bis er fest sitzt.

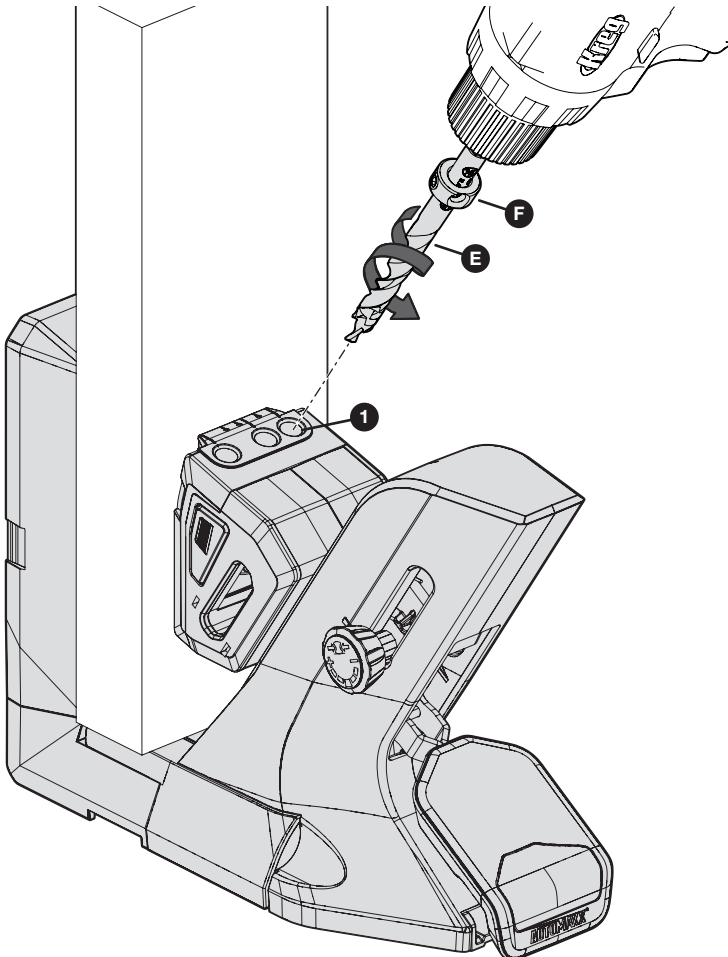


Hinweis Um den verstellbaren Anschlag (1) neu zu positionieren oder zu entfernen, den verstellbaren Anschlagknopf (K) gegen den Uhrzeigersinn drehen, wodurch er sich löst. Danach den verstellbaren Anschlag (1) in eine neue Position entlang der Schiene (3) schieben oder ihn vom Materialauflageflügel (I) abheben.

6 Sacklöcher bohren

WARNUNG Achten Sie beim Bohren immer darauf, dass das Werkstück fest geklemmt ist und dass der Griff der Bohrvorrichtung bis zum Anschlag heruntergedrückt ist.


- a. Den vorbereiteten Bohrmeißel (E) mit Anschlaghülse (F) in den Bohrer einsetzen.
- b. Den Bohrer (E) in die Bohrerführung (1) einführen und den Bohrer auf die volle Drehzahl bringen, bevor er das Werkstück berührt, um die korrekte Rotation des Bohrers zu gewährleisten.
- c. Bohren, bis die Anschlaghülse (F) nicht mehr tiefer geht, da die Anschlaghülse (F) die Bohrerführung (1) berührt. Den Bohrer (E) aus der Bohrerführung (1) herausziehen, während der Bohrer noch rotiert.
- d. Wenn Sie mit dem Bohren von Sacklöchern fertig sind, den Hebel der Bohrvorrichtung anheben, um den Klemmdruck zu lösen und danach das Werkstück entfernen.




Betrieb - Bohren und Sacklochschrauben eindrehen

Die besten Ergebnisse erzielen Sie, wenn Sie beim Bohren und Eindrehen von Sacklochschrauben folgendermaßen vorgehen

- Verwenden Sie die gemäß dieser Tabelle richtige Schraubengröße:

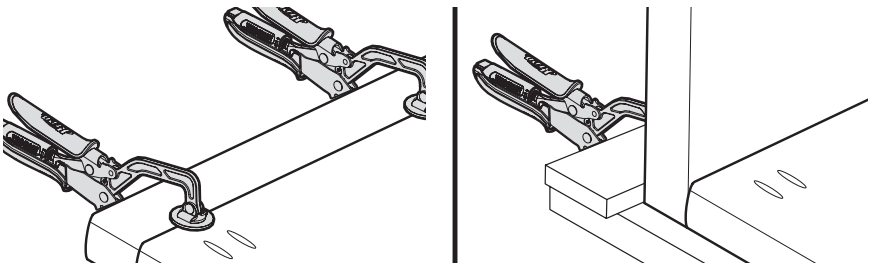
Gemessene Materialdicke	Einfach verstellbare Anschlaghülse	Einstellung der Materialdicke	Schraubenlänge
1/2-Bereich	1/2	Automatisch	1" (25 mm)*
3/4-Bereich	3/4		1-1/4" (32 mm)
	3/4		1-1/2" (38 mm)
1-1/2-Bereich	1 1/2		2-1/2" (64 mm)

* Eine 1"-Schraube (25 mm) wird für die meisten Anwendungen empfohlen, aber wenn sich das Werkstück im unteren Ende des Bereichs befindet, kann eine 3/4"-Schraube (19 mm) erforderlich sein, damit die Schraubenspitze nicht austritt.

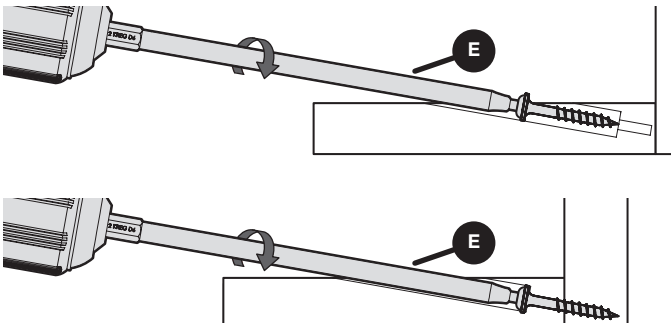
Hinweis Wenn Ihre Materialstärke in den Bereich  fällt, dieselben Einrichtungstechniken wie für den 3/4"-Bereich (19 mm) mit einer 1-1/2"-Schraube (38 mm) verwenden. Weitere Informationen zur Schraubenauswahl finden Sie unter www.Kregtool.com/Screws oder einfach durch Einscannen des QR-Codes auf der Seite Ihrer Musterschraubenverpackung.

- Die Verbindungsstücke an Ort und Stelle mit Klemmen fixieren, um ein besseres Ergebnis zu erzielen. Diese Beispiele zeigen Stirn- und Eckverbindungen.

WARNUNG Beim Bohren ist stets darauf zu achten, dass das Werkstück sicher eingespannt ist.



- Die Schraube auf die Spitze des Schraubendrehers (E) setzen, die Schraube im Sackloch positionieren und die Schraube einschrauben, bis sie vollständig sitzt, ohne sie zu überdrehen.



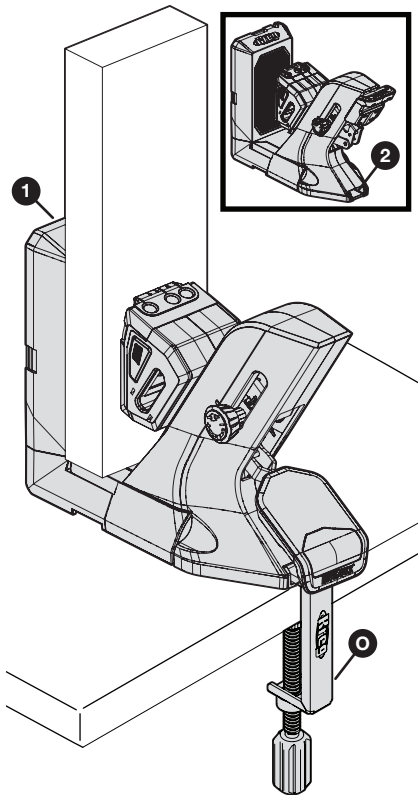
Verwendung Ihrer Kreg-Bohrvorrichtung

Ihre Kreg-Bohrvorrichtung ist so konzipiert, dass sie passend zu Ihrem Werkstück entweder in senkrechter oder waagerechter Ausrichtung eingesetzt werden kann.

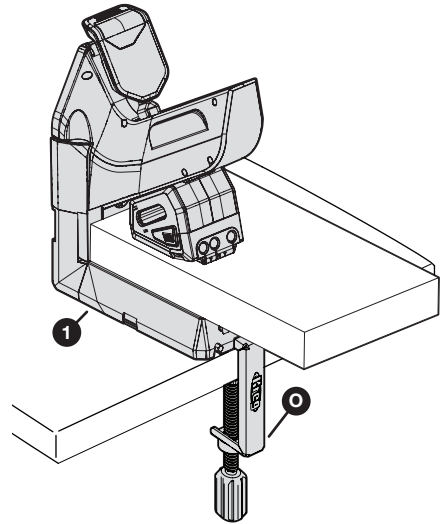
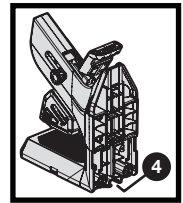
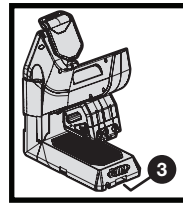
Um von einer Ausrichtung in die andere zu wechseln, die Bohrvorrichtung einfach um 90 Grad drehen.

In beiden Ausrichtungen kann die Klemmvorrichtung (O) verwendet werden, um die Bohrvorrichtung auf der Werkbank zu fixieren.

Ausrichtung	Beschreibung	Optionen für die Position der Klemme
Senkrecht	Die Seite der Werkzeugaufbewahrung (1) steht senkrecht	Eine verfügbare Klemmposition (2)
Waagrecht	Die Seite der Werkzeugaufbewahrung (1) zeigt nach unten	Zwei verfügbare Klemmpositionen (3, 4)



Senkrecht



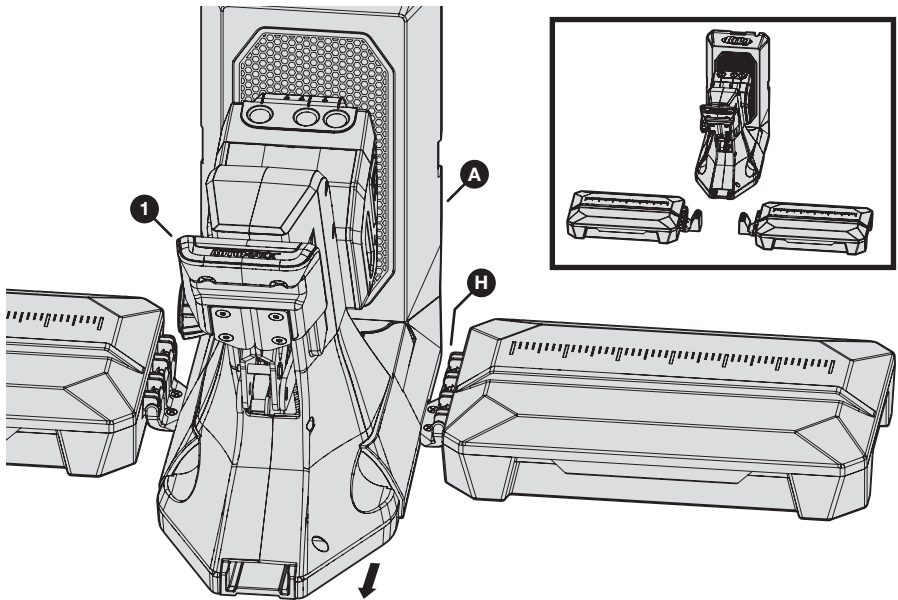
Waagrecht

Entfernen der Bohrvorrichtung aus der Andockstation

Bei Verwendung der Bohrvorrichtung der Serie 700 mit der optionalen Andockstation kann die Bohrvorrichtung jederzeit aus der Andockstation entfernt werden.

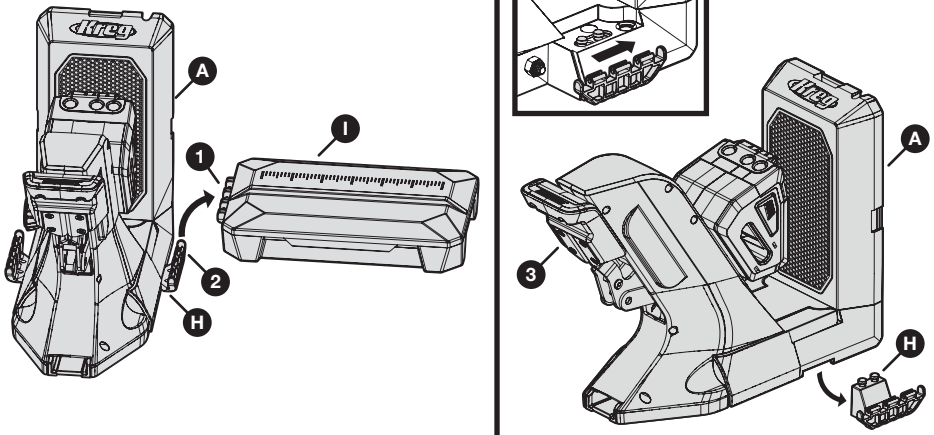
Kreg Bohrvorrichtung der Serie 700 aus einer montierten Andockstation entfernen

Mit dem Griff (1) in Ihre Richtung zeigend, ziehen Sie die Bohrvorrichtung (A) zu sich, bis diese (A) sich von den Dockadaptern (H) löst. Danach die Bohrvorrichtung (A) von den Dockadaptern (H) abheben.



Kreg Bohrvorrichtung der Serie 700 aus einer nicht befestigten Andockstation entfernen

- a. Jeden der Materialauflageflügel (I) abnehmen (I):
1. Den Materialauflageflügel (I) nahe der Verbindungsstelle zum Dockadapter (H) fassen.
 2. Den Materialauflageflügel (I) vorsichtig anheben, so dass sein Verbindungsstück (1) aus dem Dockadapter-Verbindungsstück (2) herauspringt.
- b. Für den Dockadapter (H) auf jeder Seite der Bohrvorrichtung (A):
1. Diese Seite der Bohrvorrichtung (A) leicht von der Arbeitsfläche anheben.
 2. Mit dem Griff (3) der Bohrvorrichtung in Ihre Richtung zeigend, den Dockadapter (H) von sich weg schieben, bis sich der Dockadapter (H) aus dem Schlitz an der Unterseite der Bohrvorrichtung (A) löst.
 3. Den Dockadapter (H) von der Unterseite der Vorrichtung (A) abziehen.



Wartung

In regelmäßigen Abständen leichtes Öl auf das bewegliche Gelenk des Handgriffs auftragen.

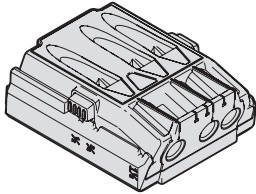
Pflege und Reinigung

Ihr Werkzeug sollte durch Absaugen regelmäßig von Spänen und Holzstaub gereinigt werden.

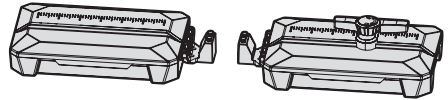
Mit einem feuchten Tuch die Oberflächen des SureGrip™ Anti-Rutsch-Pads von Staub und Ablagerungen reinigen.

Zubehör

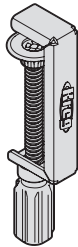
KPHA730 Kreg-Mikrobohrerführung



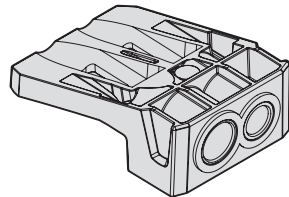
KPHA750 Andockstation für Sackloch-Bohrvorrichtung



KPHA760 Kreg
Werkbankklemme



KPHA740 Bohrführung für
Verschlusszapfenbohrer





LERNEN. BAUEN. MITTEILEN.

Wir sind Handwerker, genau wie Sie.

Darum interessiert es uns, woran Sie gerade arbeiten.

Sprechen Sie mit der Gemeinschaft darüber und lassen Sie sich inspirieren!

#madewithKreg

Holen Sie sich kostenlos Pläne, Hilfsmittel für Bauprojekte und mehr.

kregtool.com und *buildsomething.com*